

EC fans

product overview





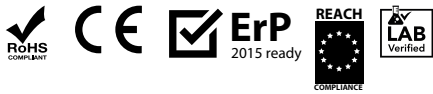
EC Backward Curved Centrifugal Fans.....	3
EC Backward Curved Centrifugal Fans +.....	39
EC Single Inlet Forward Curved Centrifugal Fans.....	57
EC Dual Inlet Forward Curved Centrifugal Fans.....	81
EC Axial Fans.....	93
Electrical Connections.....	122



EC Backward Curved Centrifugal Fans

Model No. B3P133-EC072-100

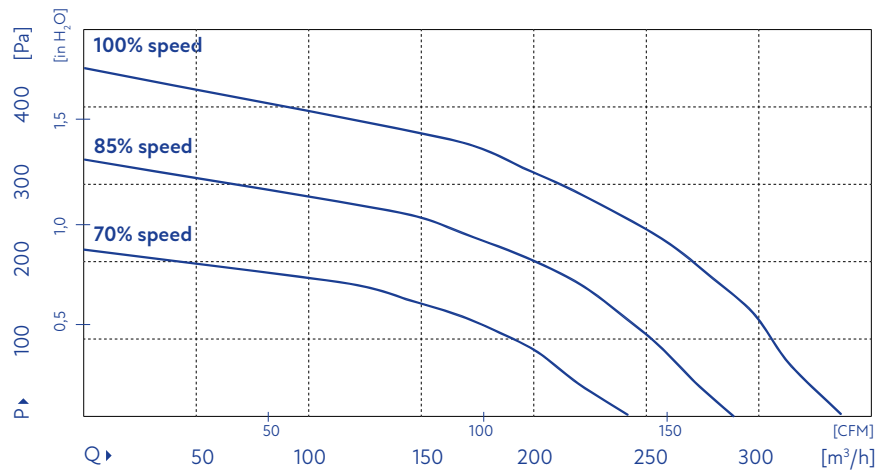
EC Backward Curved Centrifugal Fan



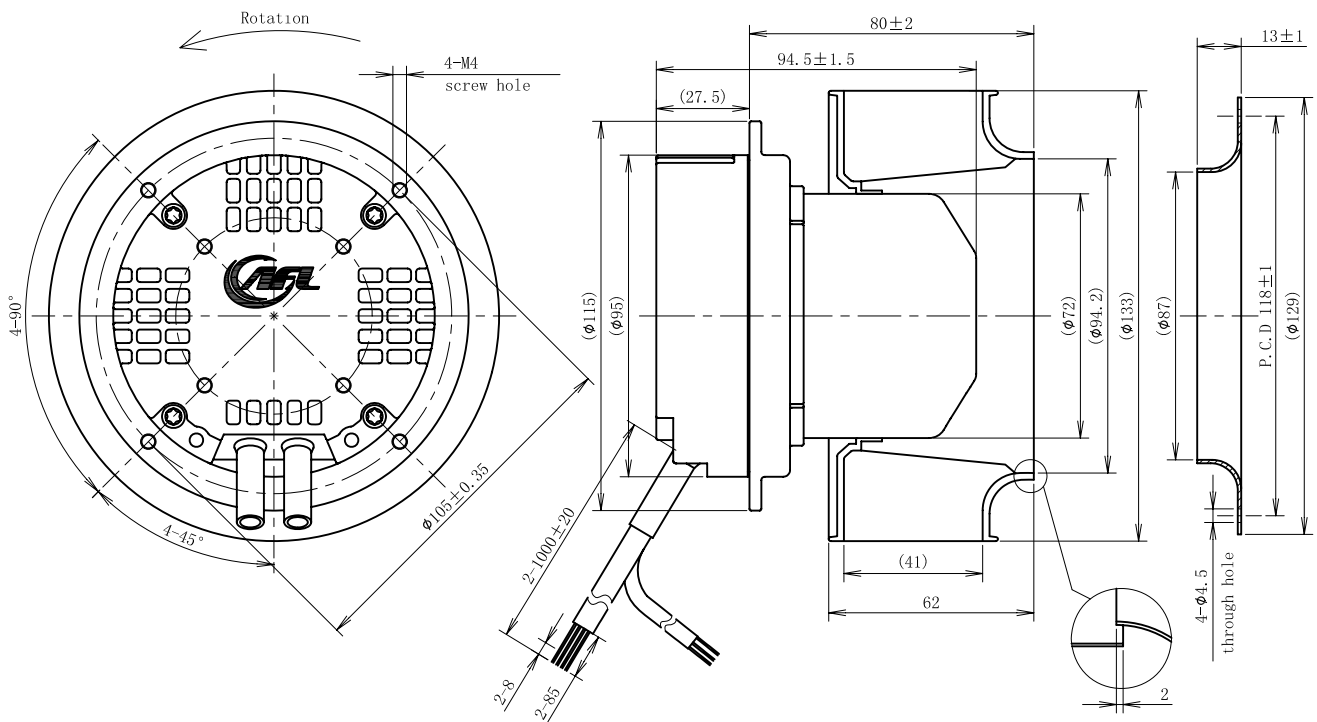
Technical data

Supply	230 VAC
Frequency	50/60 Hz
Current draw	0.425 A
Power input	55 W
Speed	4500 min ⁻¹
Control input	0-10 VDC / PWM
Sound pressure level	68 dB
Degree of protection	IP44
Working temperature	-25 ~ +60 °C
Insulation class	B
Impeller material	PA66

Air performance

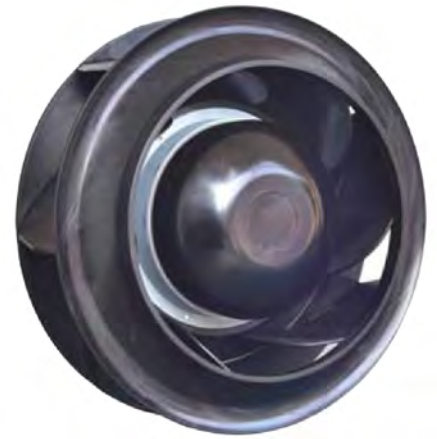


Product drawing



Model No. B3P155-EC072-001

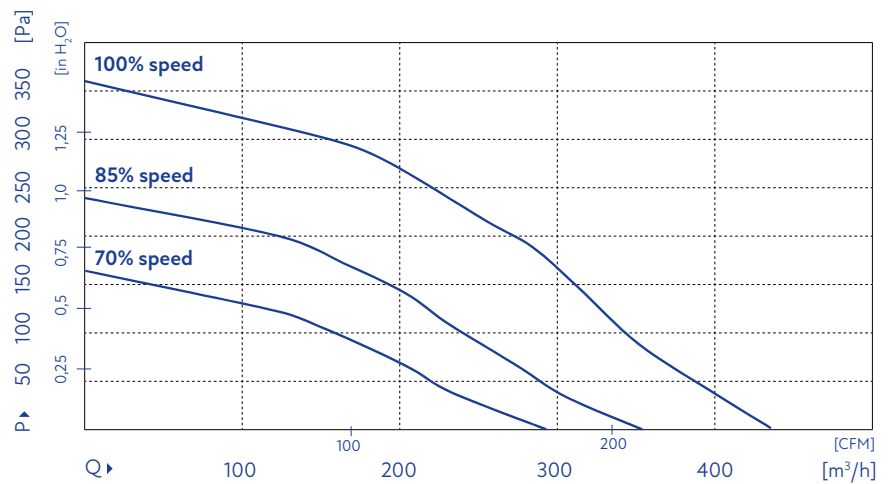
EC Backward Curved Centrifugal Fan



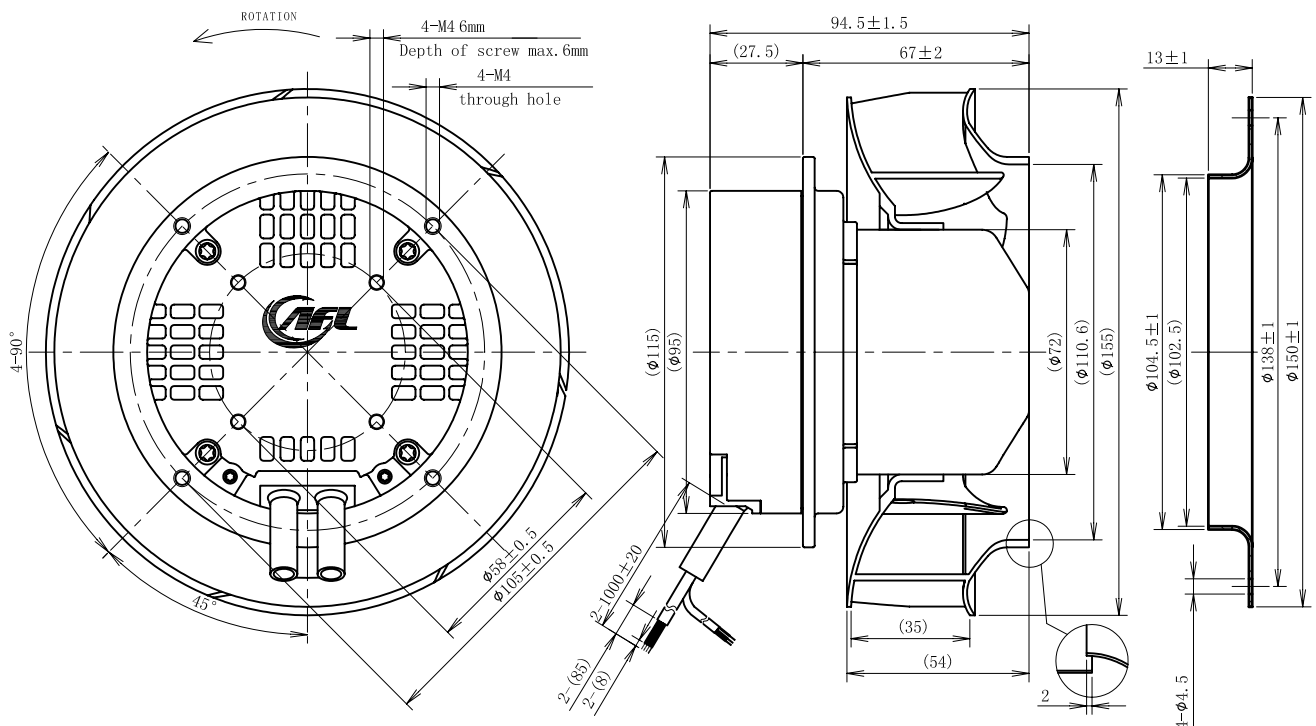
Technical data

Supply	230 VAC
Frequency	50/60 Hz
Current draw	0.3 A
Power input	40 W
Speed	3570 min ⁻¹
Control input	0-10 VDC / PWM
Sound pressure level	63 dB
Degree of protection	IP44
Working temperature	-25 ~ +60 °C
Insulation class	B
Impeller material	PA66

Air performance

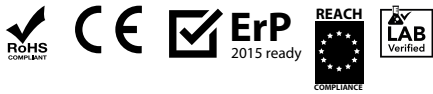


Product drawing



Model No. B3P175-EC072-100

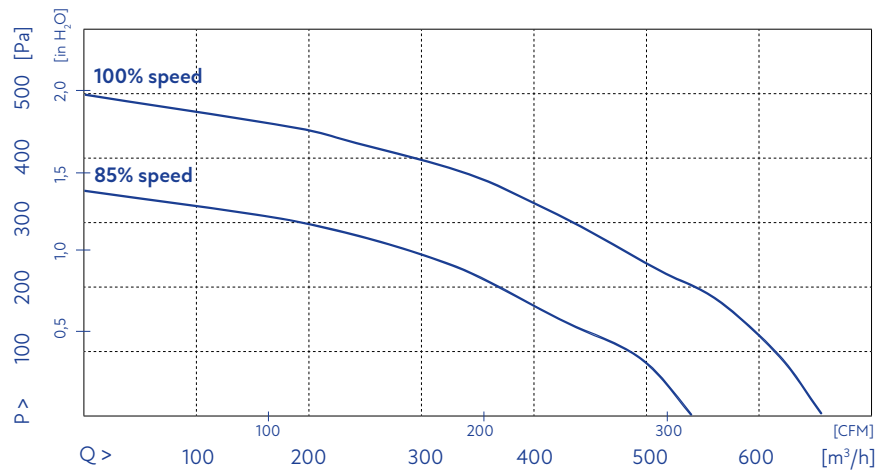
EC Backward Curved Centrifugal Fan



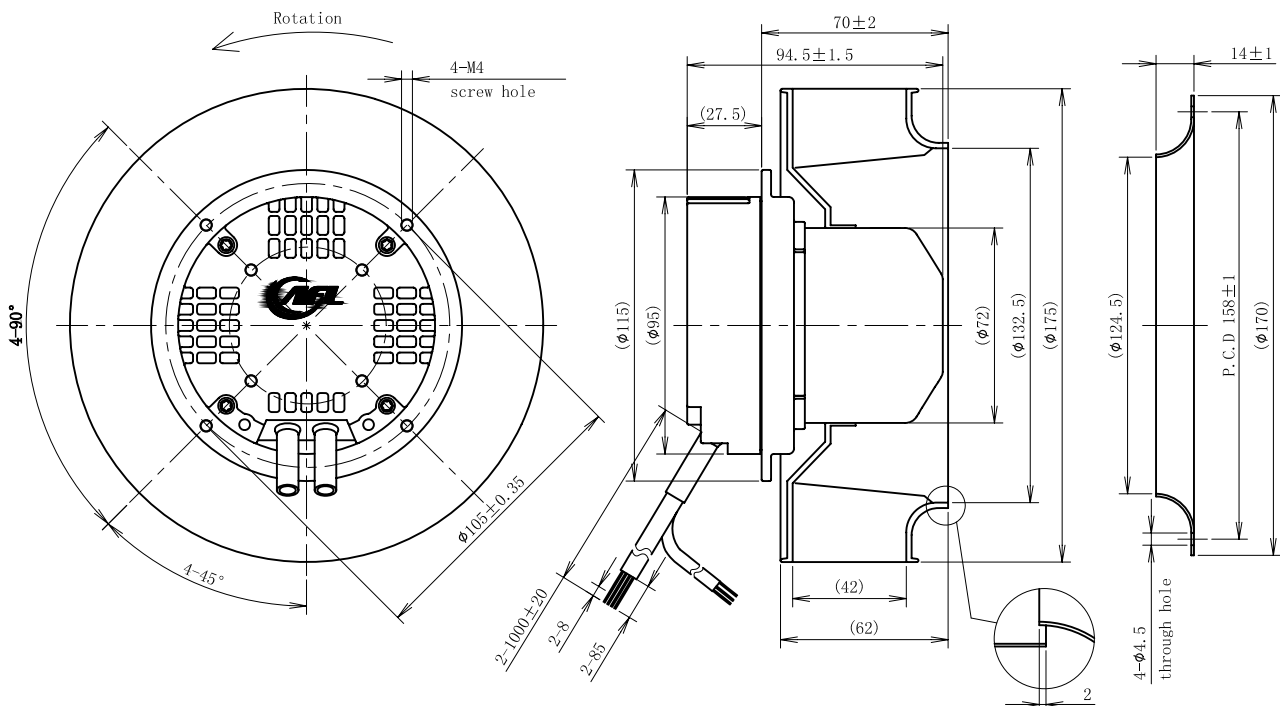
Technical data

Supply	230 VAC
Frequency	50/60 Hz
Current draw	0.65 A
Power input	80 W
Speed	3570 min ⁻¹
Control input	0-10 VDC / PWM
Sound pressure level	74 dB
Degree of protection	IP44
Working temperature	-25 ~ +60 °C
Insulation class	B
Impeller material	PA66

Air performance



Product drawing



Model No. B3P190-EC072-002

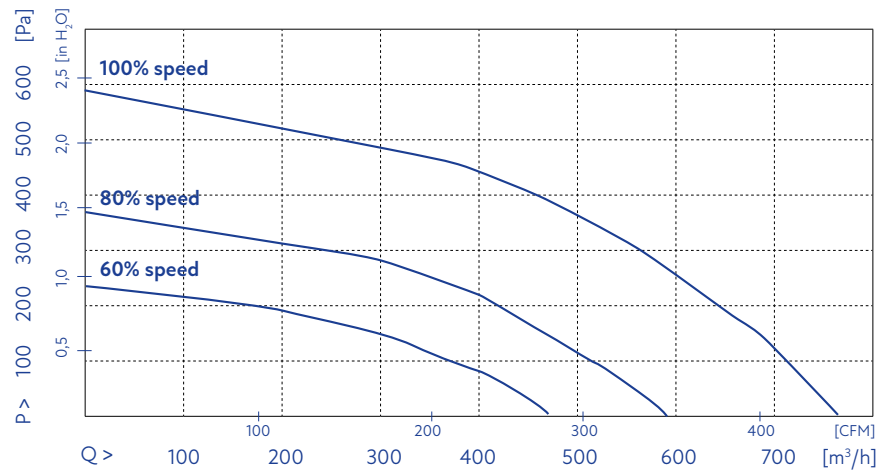
EC Backward Curved Centrifugal Fan



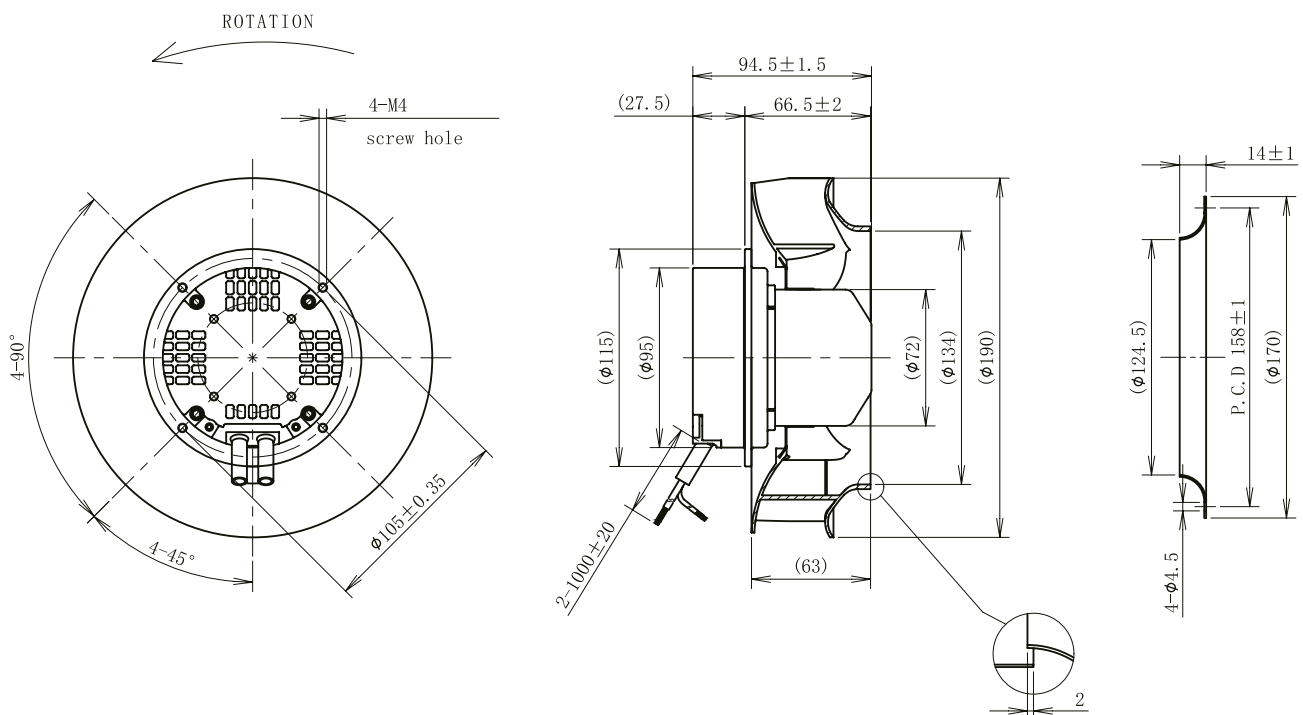
Technical data

Supply	230 VAC
Frequency	50/60 Hz
Current draw	0.73 A
Power input	95 W
Speed	3570 min ⁻¹
Control input	0-10 VDC / PWM
Sound pressure level	78 dB
Degree of protection	IP44
Working temperature	-25 ~ +60 °C
Insulation class	B
Impeller material	PA66

Air performance



Product drawing



Model No. B3P190-EC092-100

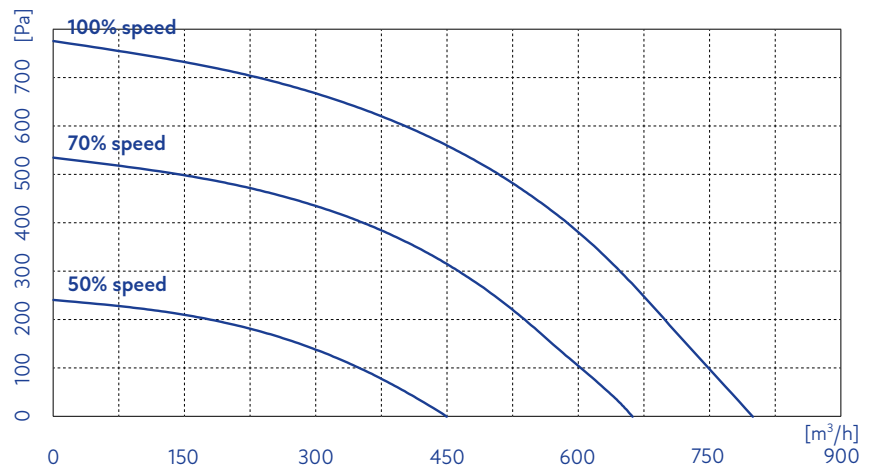
EC Backward Curved Centrifugal Fan



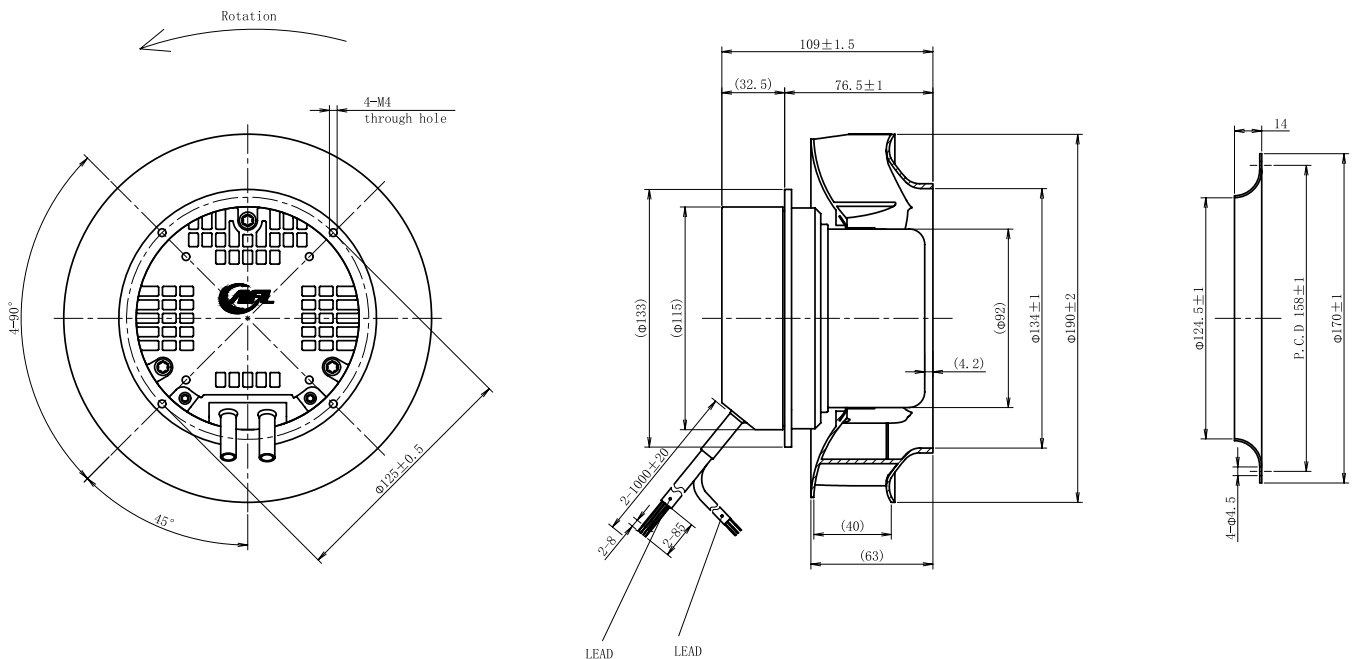
Technical data

Supply	230 VAC
Frequency	50/60 Hz
Current draw	1.0 A
Power input	150 W
Speed	4100 min ⁻¹
Control input	0-10 VDC / PWM
Sound pressure level	80 dB
Degree of protection	IP44
Working temperature	-25 ~ +60 °C
Insulation class	B
Impeller material	PA66

Air performance



Product drawing



Model No. B3P190-EC092-009

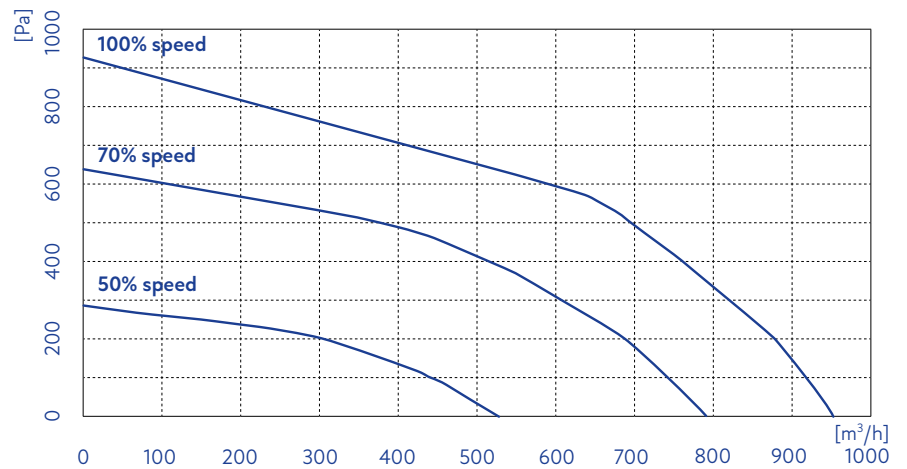
EC Backward Curved Centrifugal Fan



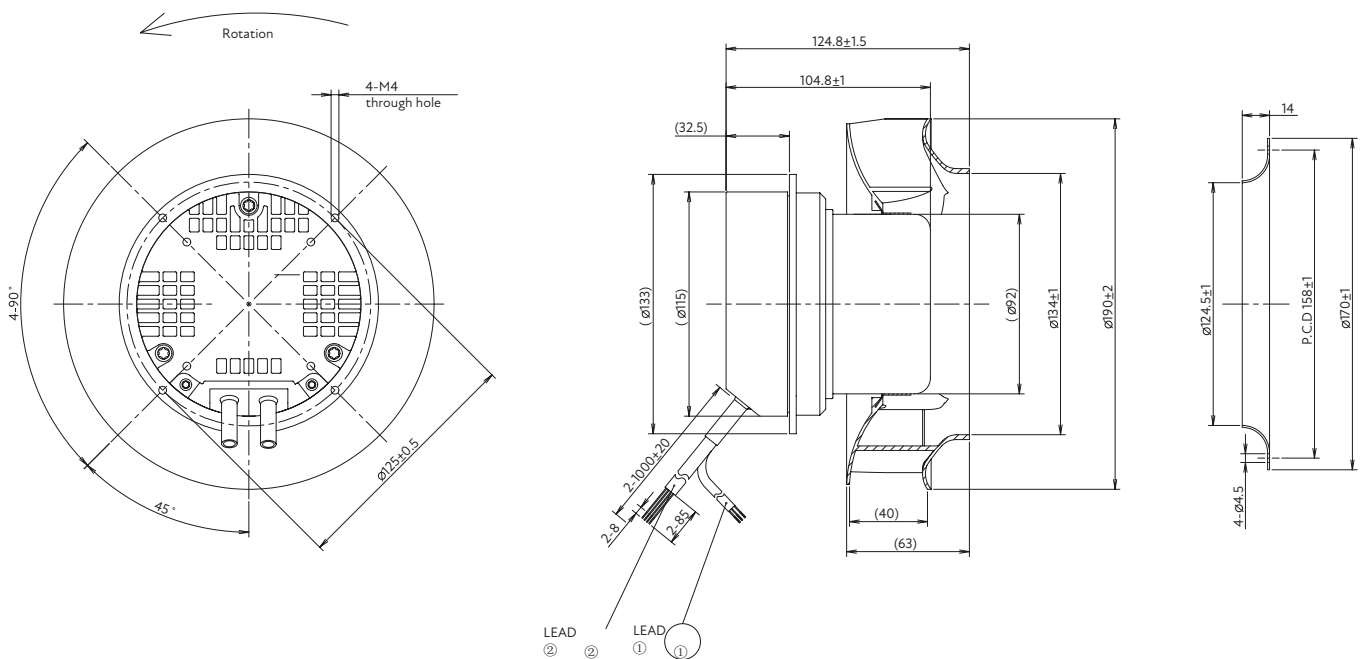
Technical data

Supply	230 VAC
Frequency	50/60 Hz
Current draw	1.4 A
Power input	180 W
Speed	4500 min ⁻¹
Control input	0-10 VDC / PWM
Sound pressure level	76 dB
Degree of protection	IP44
Working temperature	-25 ~ +60 °C
Insulation class	B
Impeller material	PA66

Air performance

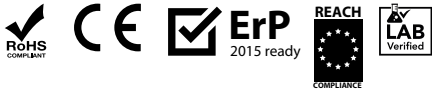


Product drawing



Model No. B3P220-EC072-100

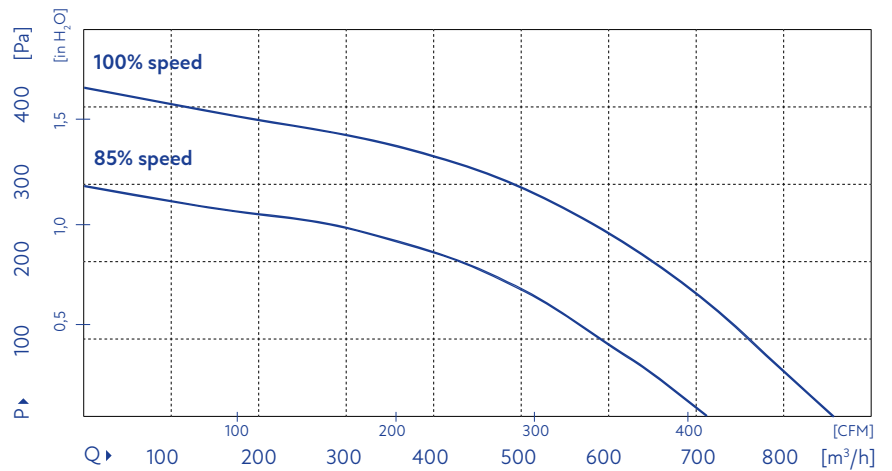
EC Backward Curved Centrifugal Fan



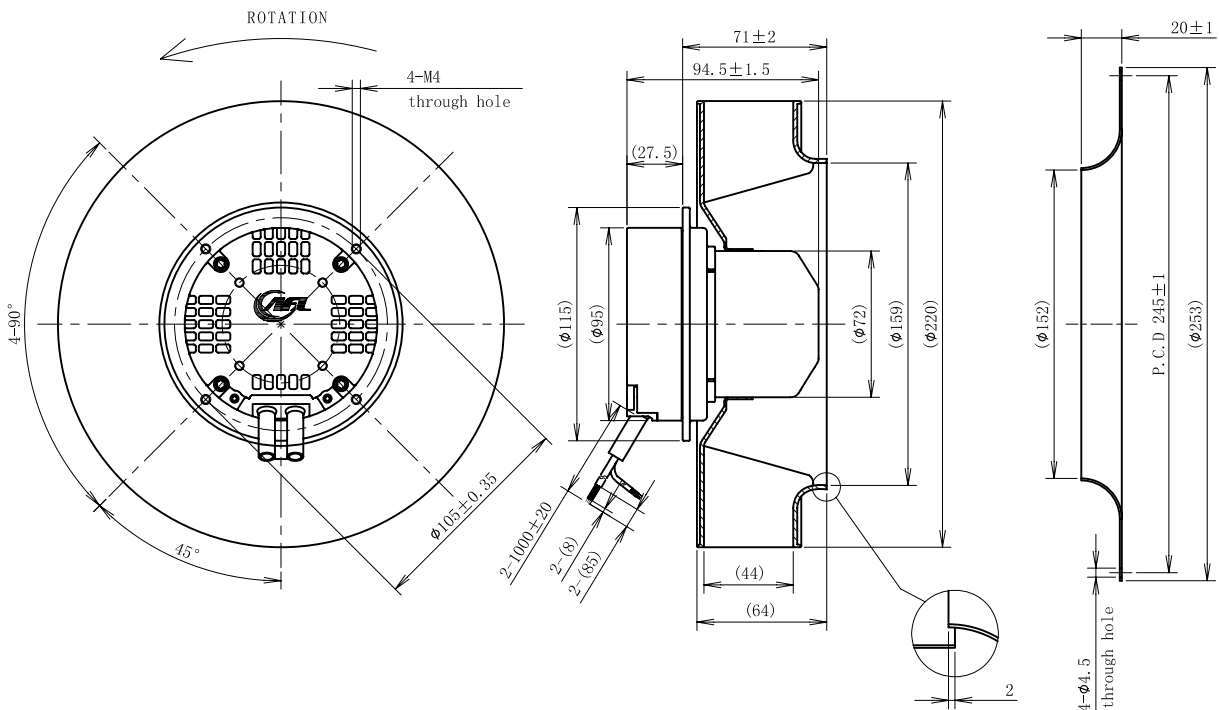
Technical data

Supply	230 VAC
Frequency	50/60 Hz
Current draw	0.6 A
Power input	70 W
Speed	2500 min ⁻¹
Control input	0-10 VDC / PWM
Sound pressure level	71 dB
Degree of protection	IP44
Working temperature	-25 ~ +60 °C
Insulation class	B
Impeller material	PA66

Air performance

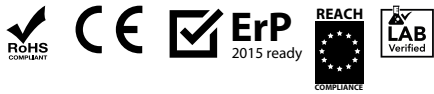


Product drawing



Model No. B3P220-EC092-100

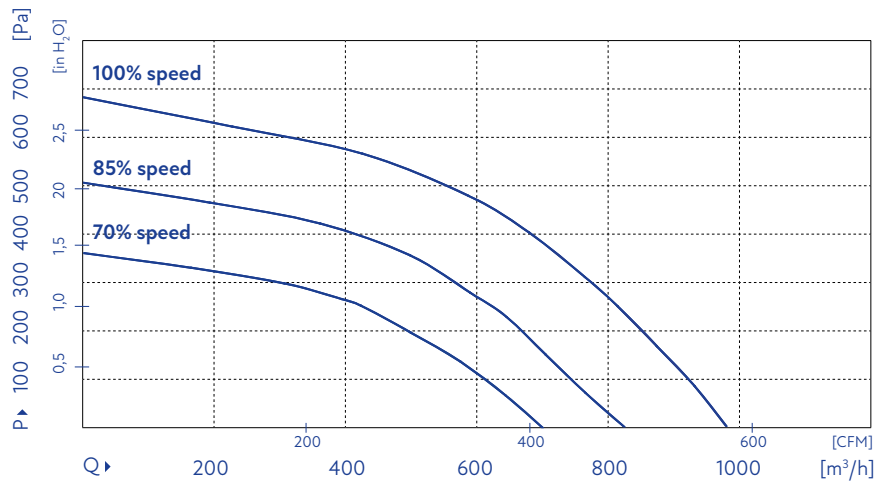
EC Backward Curved Centrifugal Fan



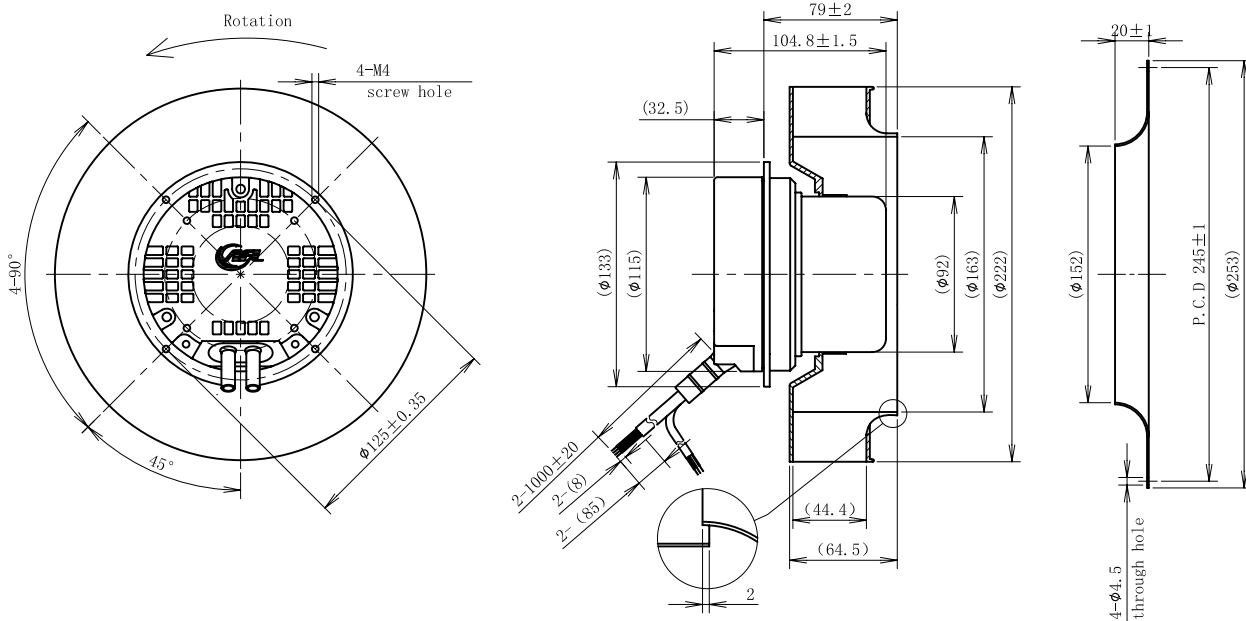
Technical data

Supply	230 VAC
Frequency	50/60 Hz
Current draw	1.0 A
Power input	145 W
Speed	3310 min ⁻¹
Control input	0-10 VDC / PWM
Sound pressure level	75 dB
Degree of protection	IP44
Working temperature	-25 ~ +60 °C
Insulation class	B
Impeller material	PA66

Air performance



Product drawing



Model No. B3P225-EC072-100

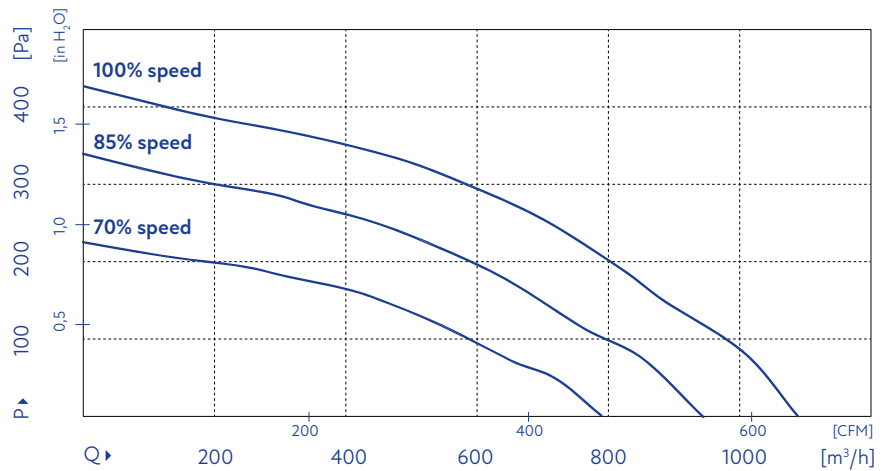
EC Backward Curved Centrifugal Fan



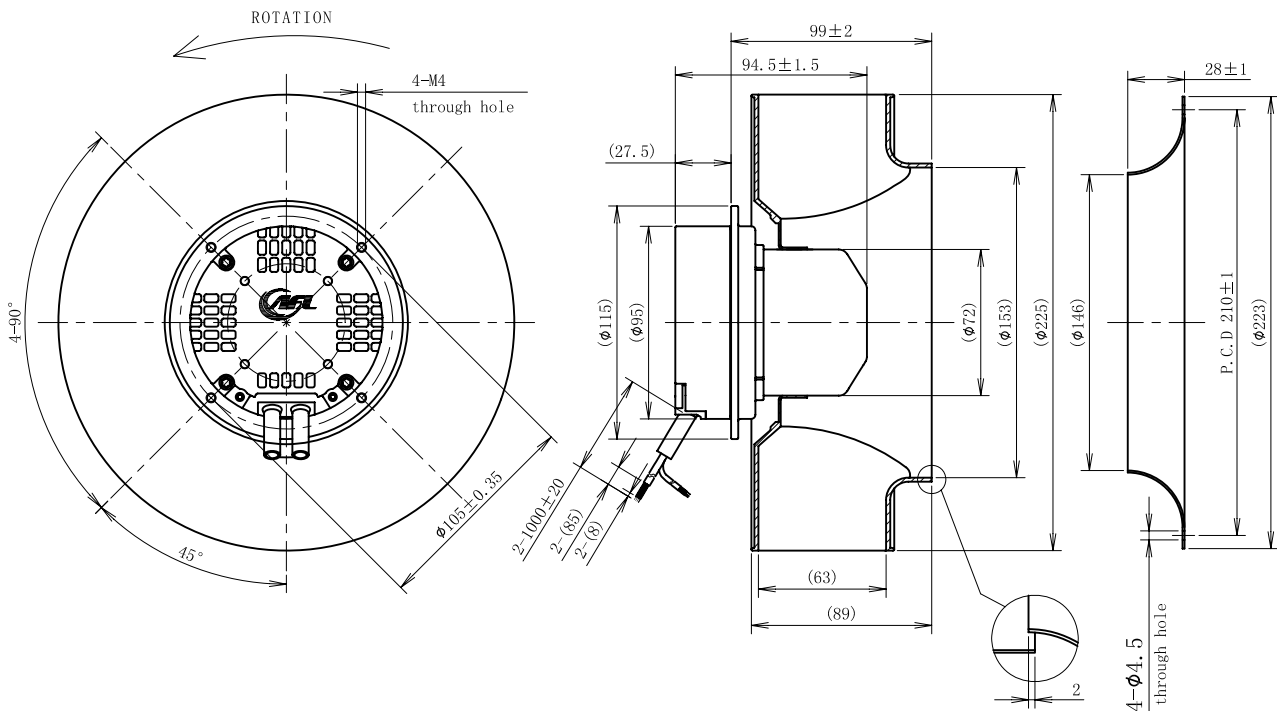
Technical data

Supply	230 VAC
Frequency	50/60 Hz
Current draw	0.6 A
Power input	80 W
Speed	2500 min ⁻¹
Control input	0-10 VDC / PWM
Sound pressure level	69 dB
Degree of protection	IP44
Working temperature	-25 ~ +60 °C
Insulation class	B
Impeller material	PA66

Air performance

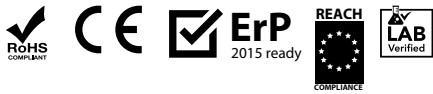


Product drawing



Model No. B3P225-EC092-022

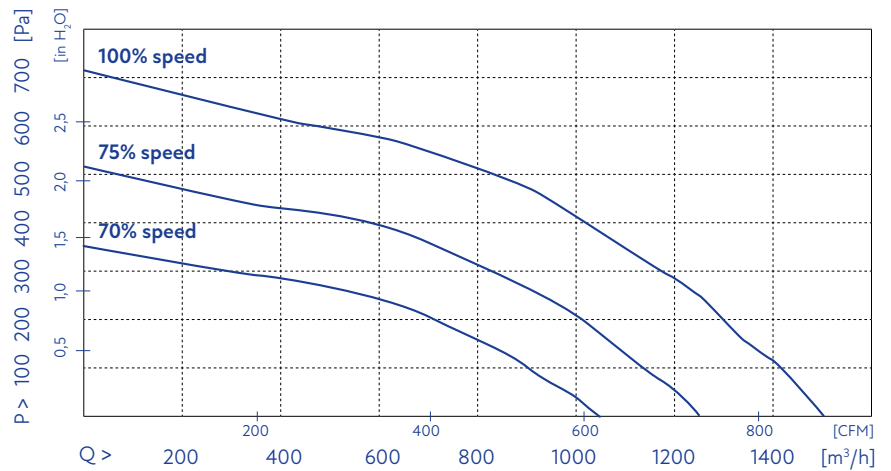
EC Backward Curved Centrifugal Fan



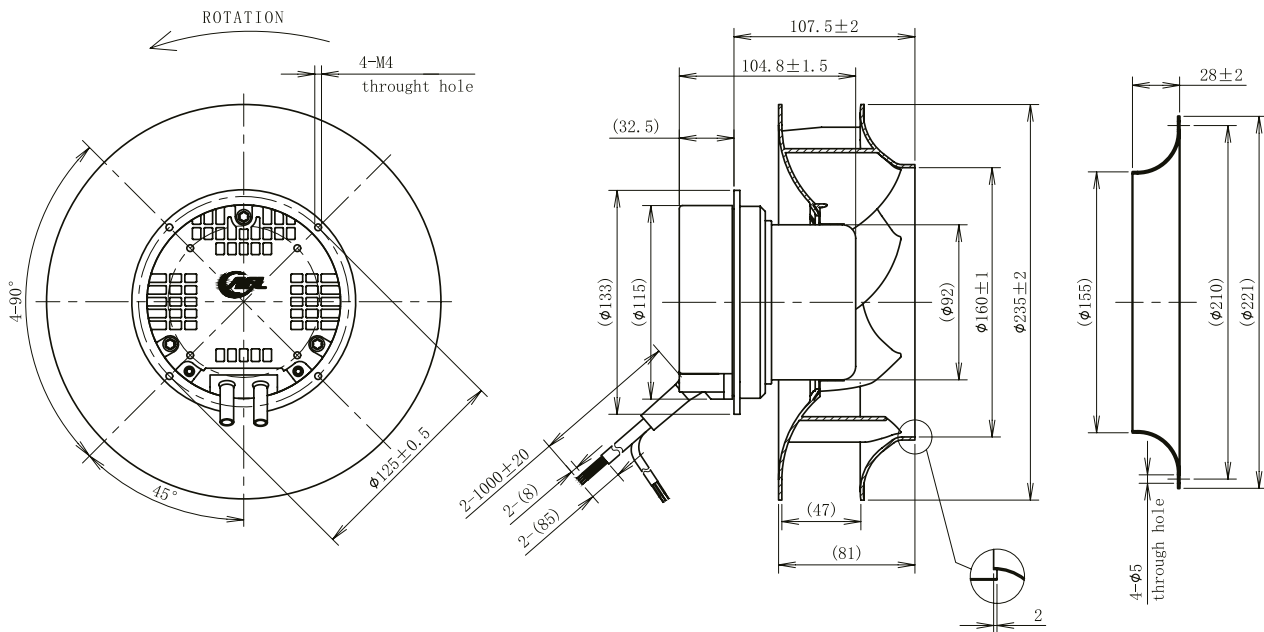
Technical data

Supply	230 VAC
Frequency	50/60 Hz
Current draw	1.35A
Power input	190 W
Speed	3000 min ⁻¹
Control input	0-10 VDC / PWM
Sound pressure level	79 dB
Degree of protection	IP44
Working temperature	-25 ~ +60 °C
Insulation class	B
Impeller material	PA66

Air performance

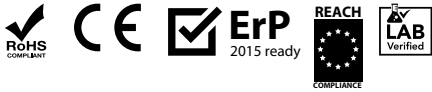


Product drawing



Model No. B3P250-EC072-008

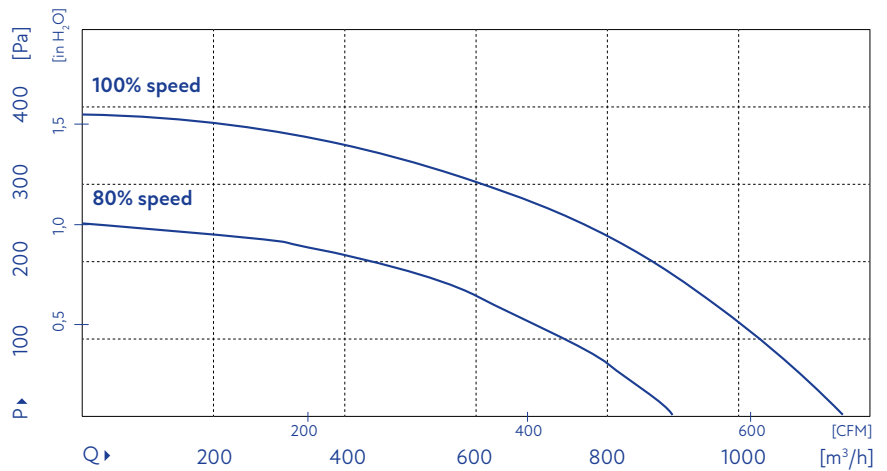
EC Backward Curved Centrifugal Fan



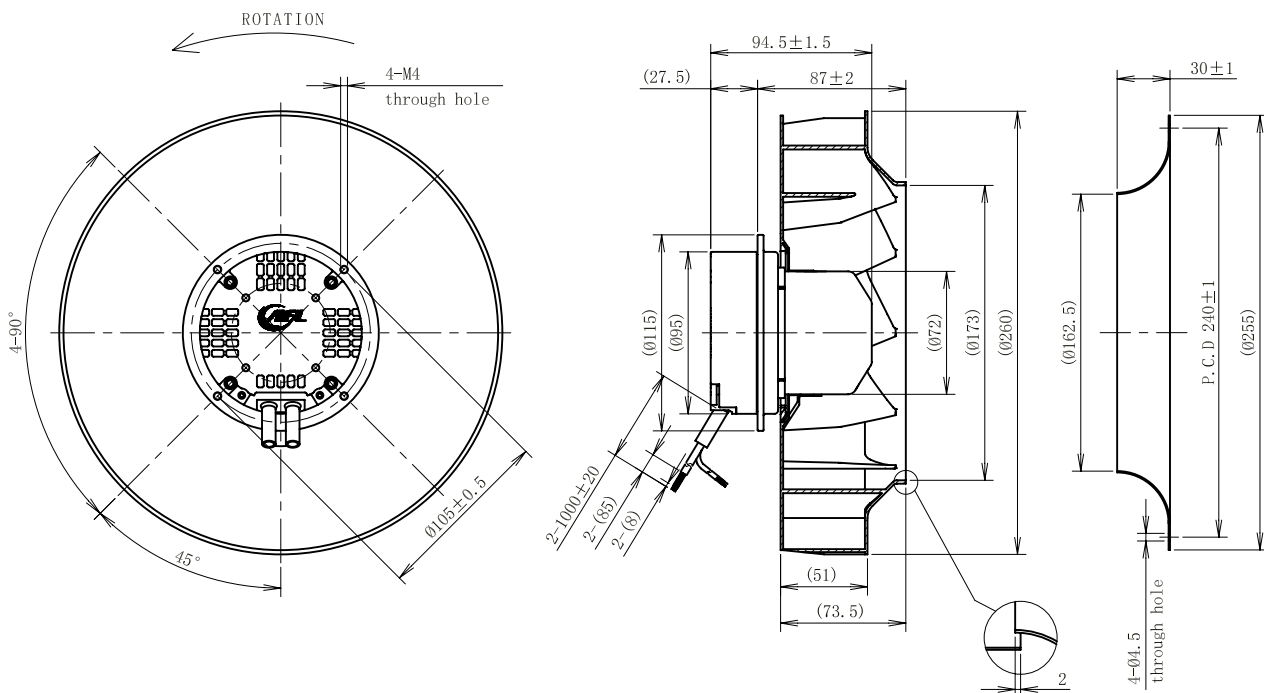
Technical data

Supply	230 VAC
Frequency	50/60 Hz
Current draw	0.8 A
Power input	90 W
Speed	2150 min ⁻¹
Control input	0-10 VDC / PWM
Sound pressure level	68 dB
Degree of protection	IP44
Working temperature	-25 ~ +60 °C
Insulation class	B
Impeller material	PA66

Air performance

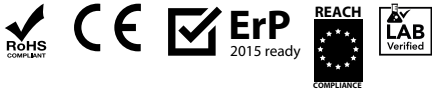


Product drawing



Model No. B3P250-EC092-020

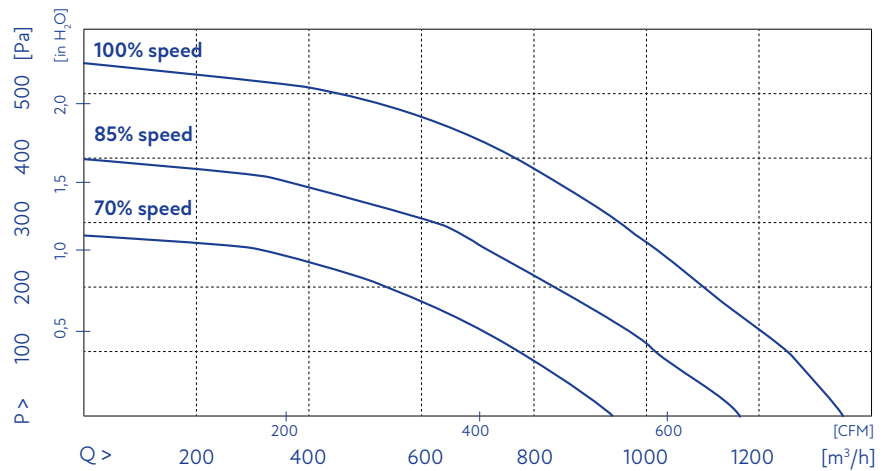
EC Backward Curved Centrifugal Fan



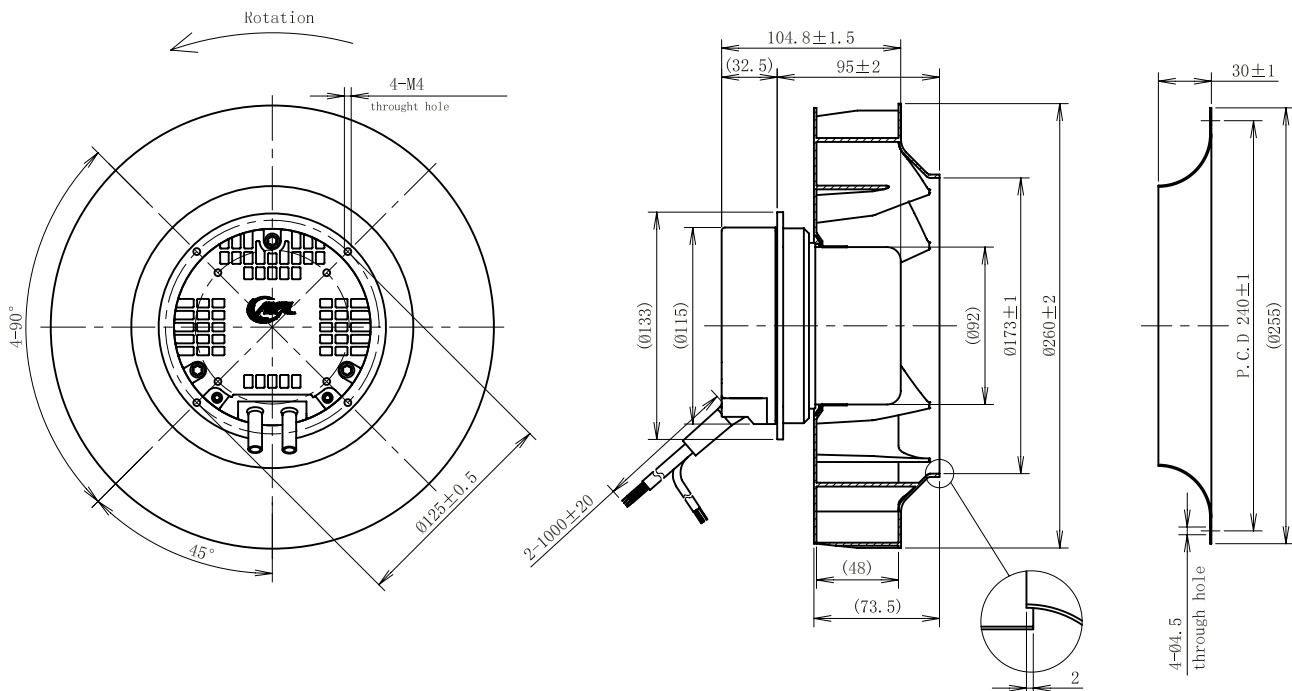
Technical data

Supply	230 VAC
Frequency	50/60 Hz
Current draw	1.1 A
Power input	170 W
Speed	2600 min ⁻¹
Control input	0-10 VDC / PWM
Sound pressure level	69 dB
Degree of protection	IP44
Working temperature	-25 ~ +60 °C
Insulation class	B
Impeller material	PA66

Air performance



Product drawing



Model No. B3P250-EC092-033

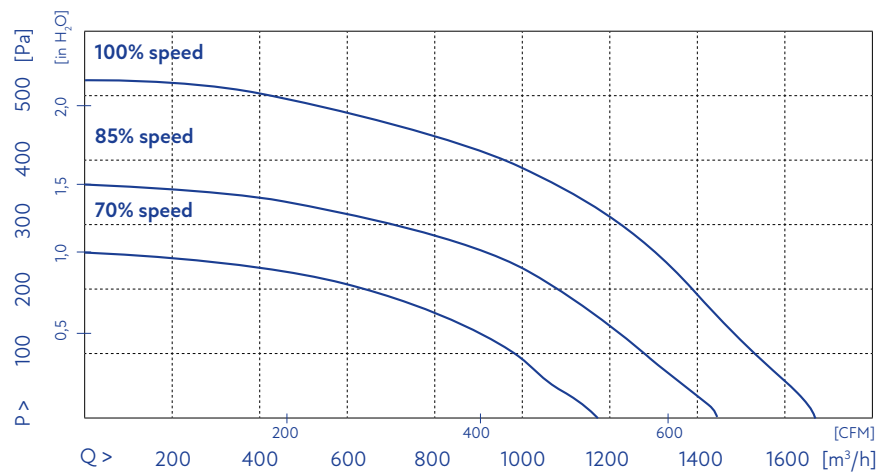
EC Backward Curved Centrifugal Fan



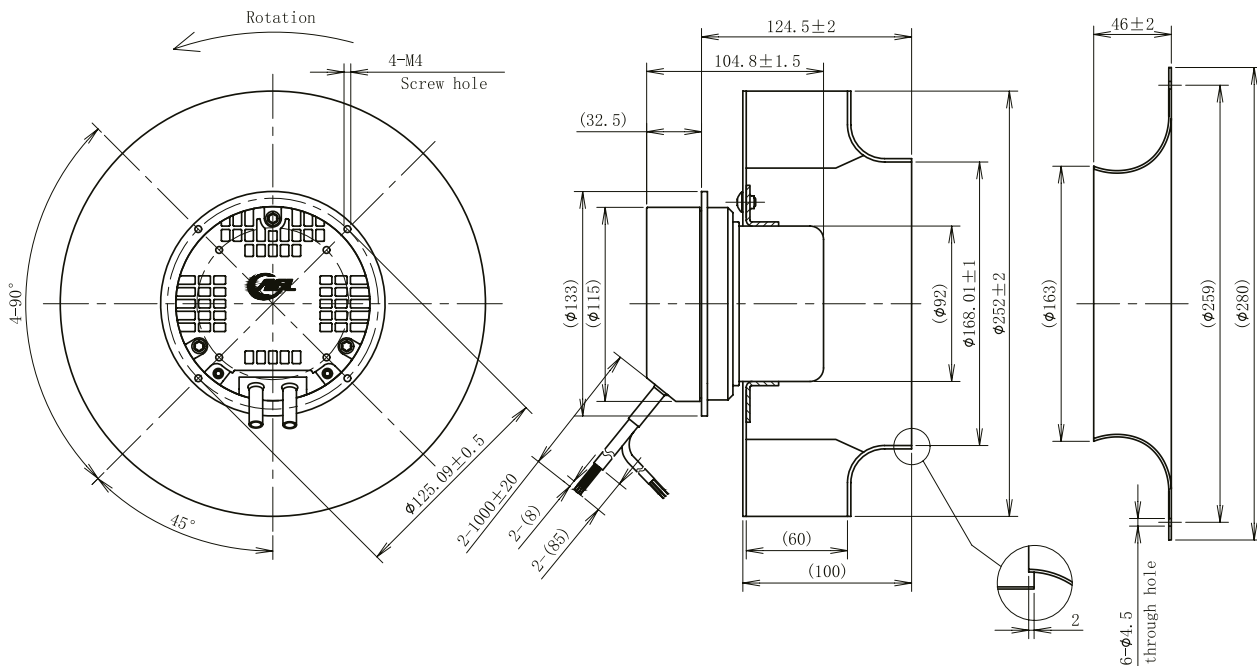
Technical data

Supply	230 VAC
Frequency	50/60 Hz
Current draw	1.0 A
Power input	145 W
Speed	2500 min ⁻¹
Control input	0-10 VDC / PWM
Sound pressure level	74 dB
Degree of protection	IP44
Working temperature	-25 ~ +60 °C
Insulation class	B
Impeller material	sheet aluminium

Air performance



Product drawing



Model No. B3P250-EC102-001

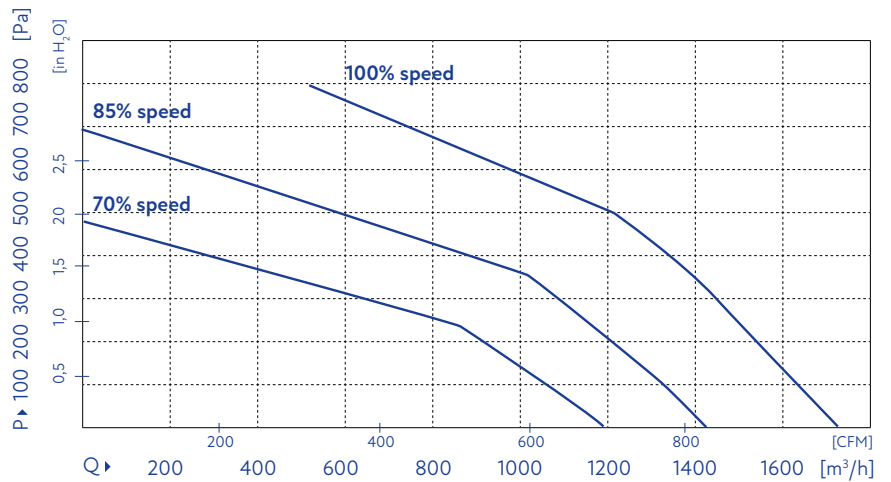
EC Backward Curved Centrifugal Fan



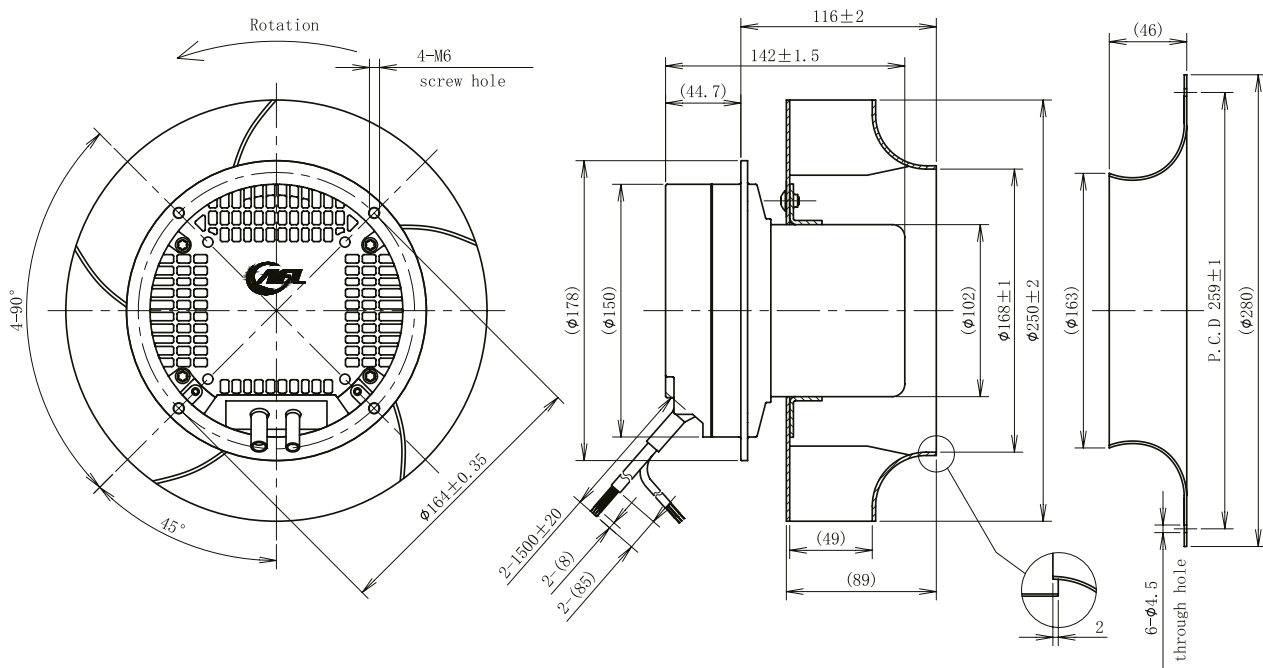
Technical data

Supply	230 VAC
Frequency	50/60 Hz
Current draw	1.2 A
Power input	270 W
Speed	3170 min ⁻¹
Control input	0-10 VDC / PWM
Sound pressure level	84 dB
Degree of protection	IP44
Working temperature	-25 ~ +60 °C
Insulation class	B
Impeller material	sheet aluminium

Air performance

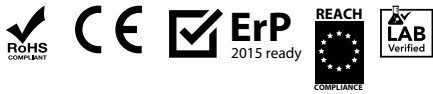
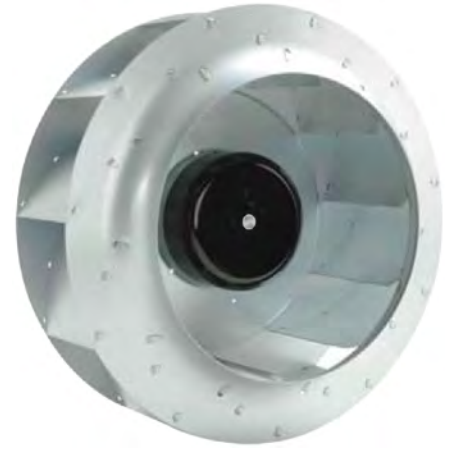


Product drawing



Model No. B3P280-EC092-004

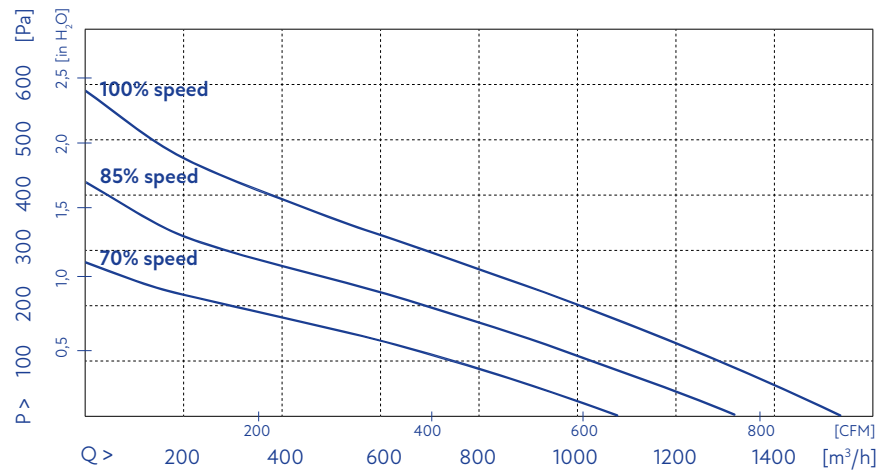
EC Backward Curved Centrifugal Fan



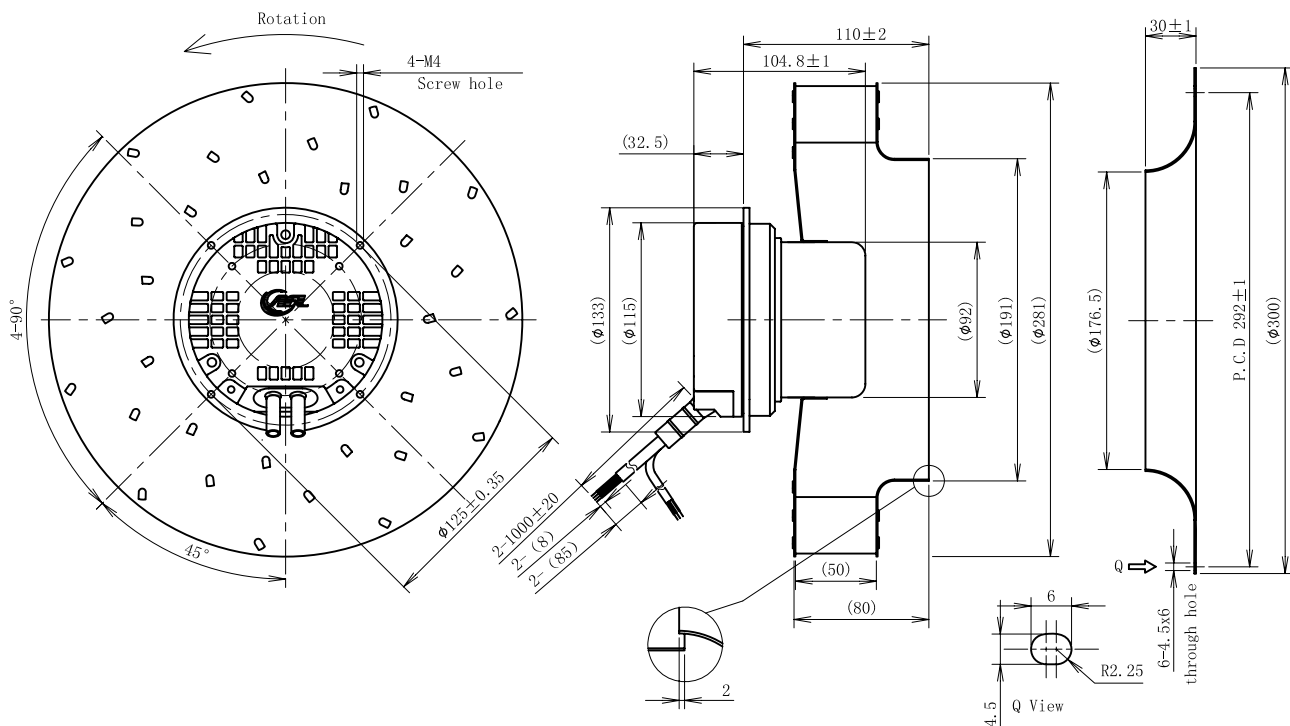
Technical data

Supply	230 VAC
Frequency	50/60 Hz
Current draw	1.0 A
Power input	135 W
Speed	2325 min ⁻¹
Control input	0-10 VDC / PWM
Sound pressure level	75 dB
Degree of protection	IP44
Working temperature	-25 ~ +60 °C
Insulation class	B
Impeller material	galvanised sheet steel

Air performance

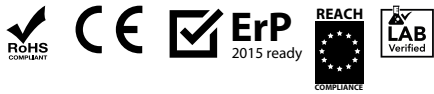
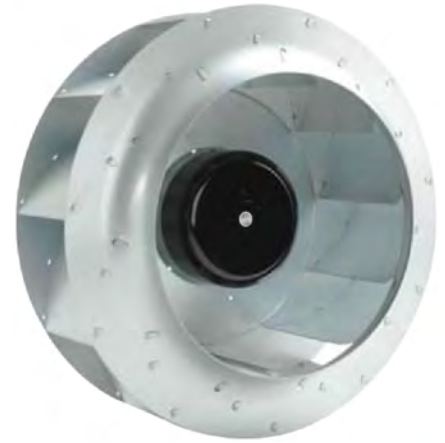


Product drawing



Model No. B3P280-EC092-100

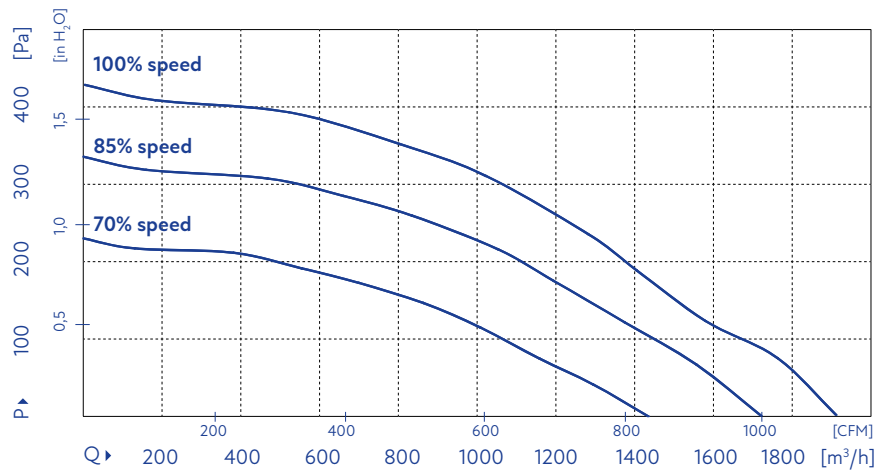
EC Backward Curved Centrifugal Fan



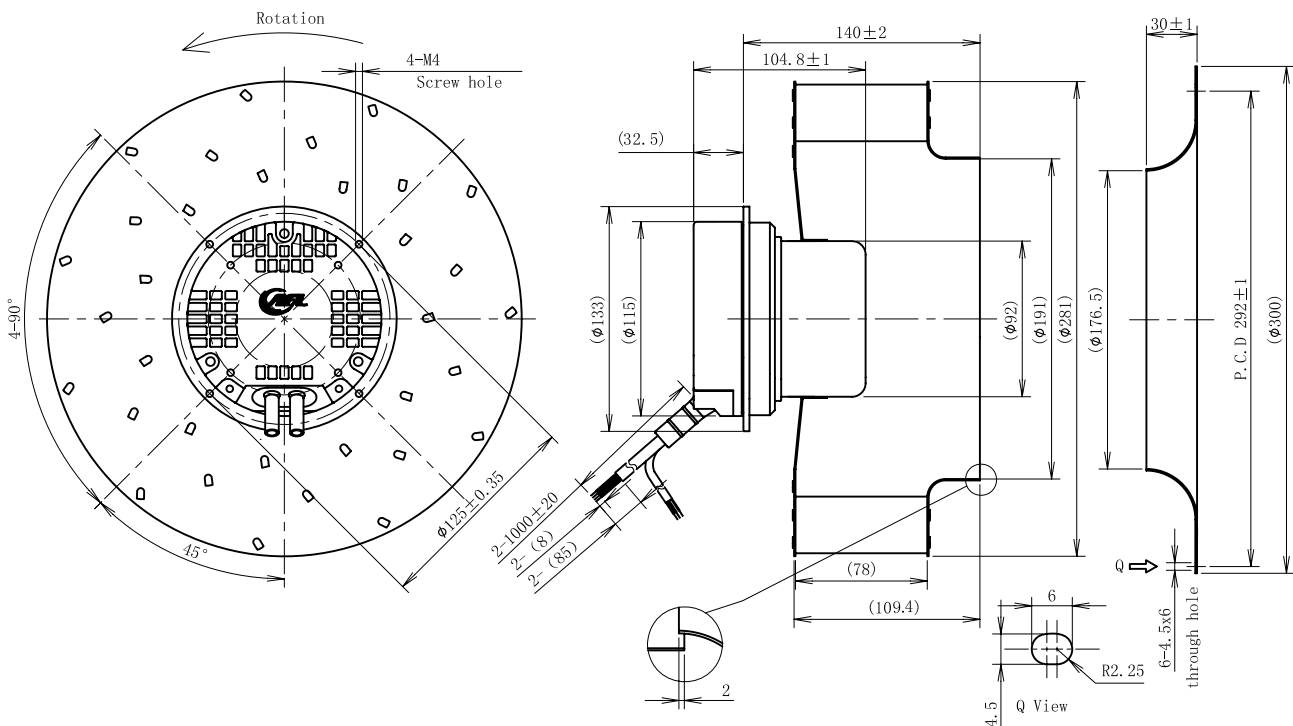
Technical data

Supply	230 VAC
Frequency	50/60 Hz
Current draw	0.9 A
Power input	130 W
Speed	2000 min ⁻¹
Control input	0-10 VDC / PWM
Sound pressure level	73 dB
Degree of protection	IP44
Working temperature	-25 ~ +60 °C
Insulation class	B
Impeller material	galvanised sheet steel

Air performance



Product drawing



Model No. B3P280-EC137-100

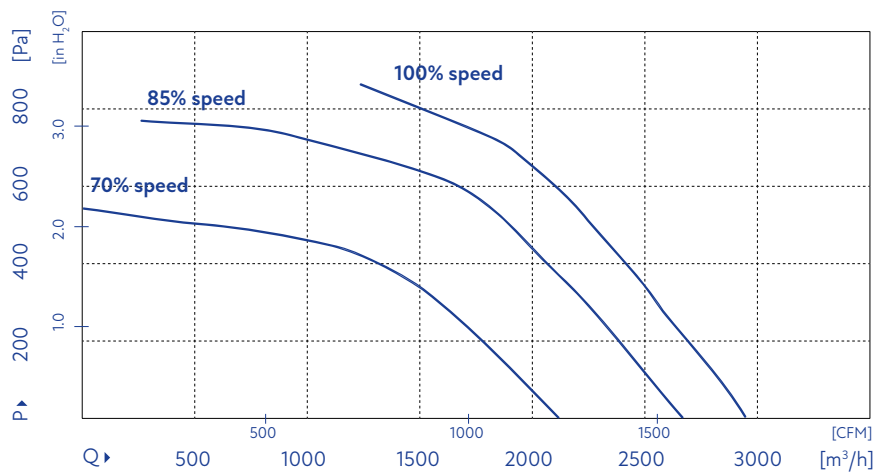
EC Backward Curved Centrifugal Fan



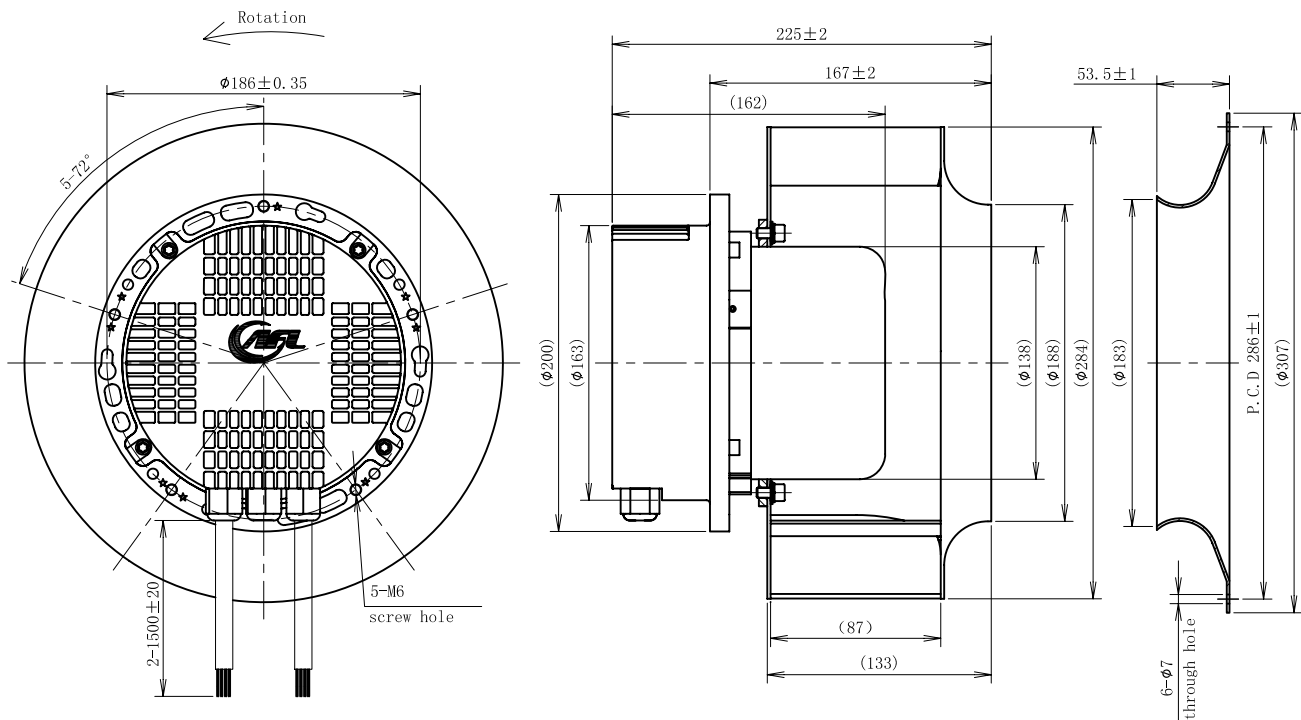
Technical data

Supply	3x400 VAC
Frequency	50/60 Hz
Current draw	1.1 A
Power input	780 W
Speed	2850 min ⁻¹
Control input	0-10 VDC / PWM
Sound pressure level	82 dB
Degree of protection	IP44
Working temperature	-25 ~ +60 °C
Insulation class	F
Impeller material	sheet aluminium

Air performance

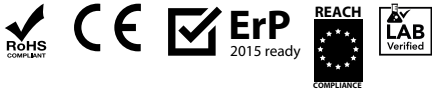


Product drawing



Model No. B3P310-EC092-100

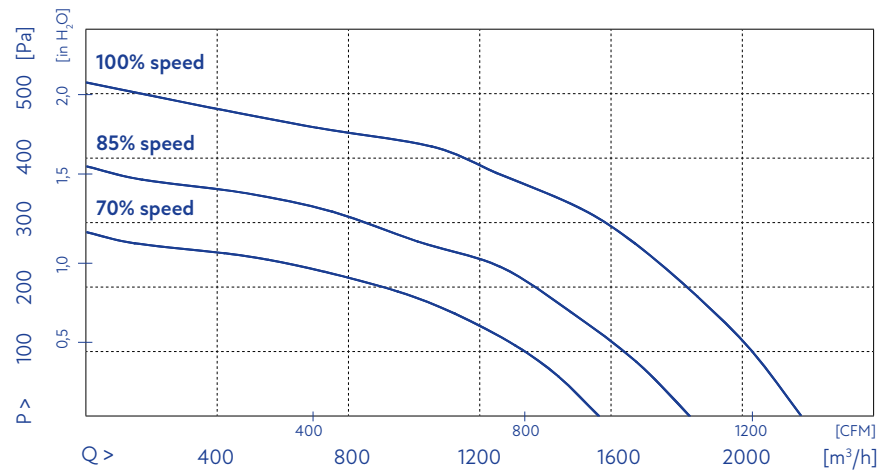
EC Backward Curved Centrifugal Fan



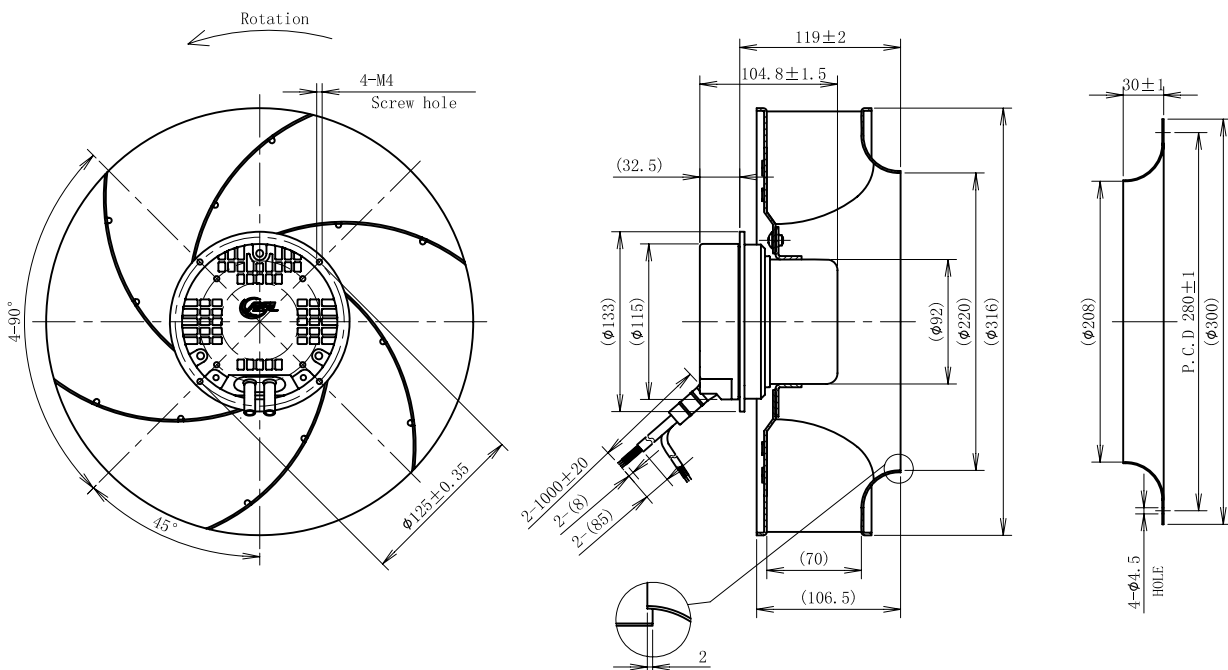
Technical data

Supply	230 VAC
Frequency	50/60 Hz
Current draw	1.3 A
Power input	175 W
Speed	1925 min ⁻¹
Control input	0-10 VDC / PWM
Sound pressure level	74 dB
Degree of protection	IP44
Working temperature	-25 ~ +60 °C
Insulation class	B
Impeller material	sheet aluminium

Air performance

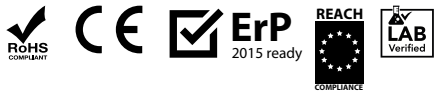


Product drawing



Model No. B3P310-EC092-001

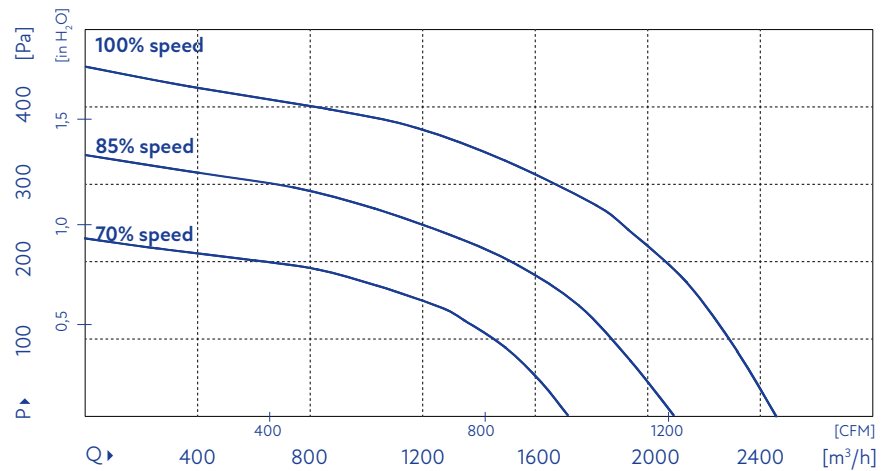
EC Backward Curved Centrifugal Fan



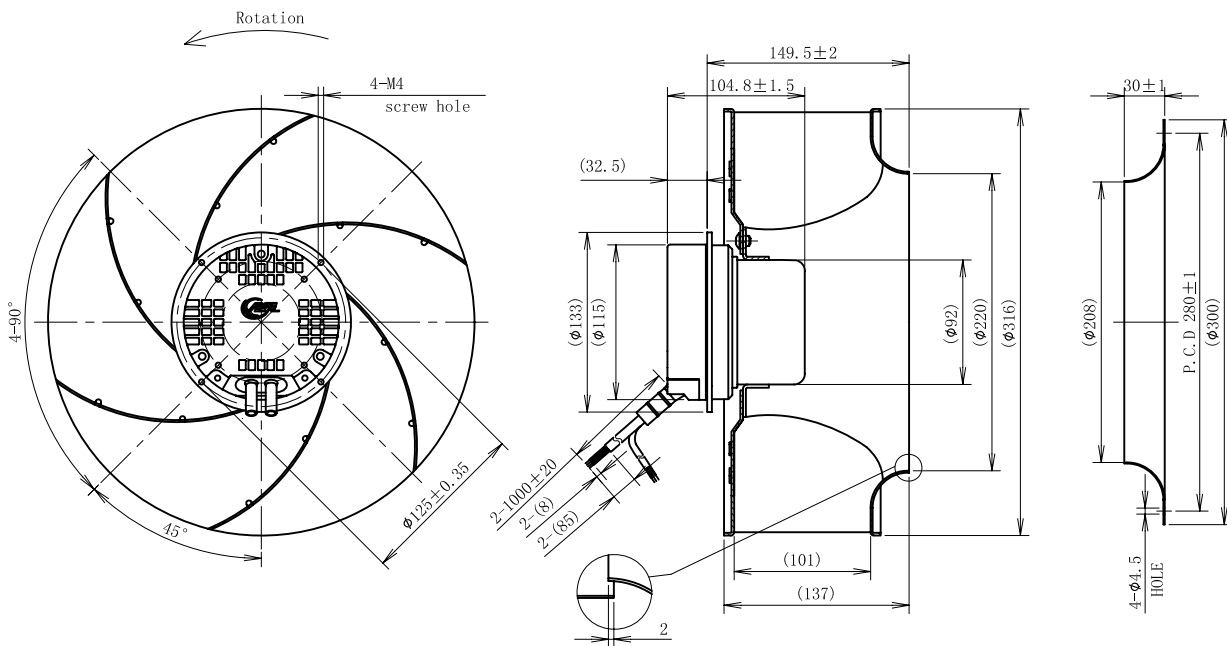
Technical data

Supply	230 VAC
Frequency	50/60 Hz
Current draw	1.3 A
Power input	175 W
Speed	1770 min ⁻¹
Control input	0-10 VDC / PWM
Sound pressure level	73 dB
Degree of protection	IP44
Working temperature	-25 ~ +60 °C
Insulation class	B
Impeller material	sheet aluminium

Air performance

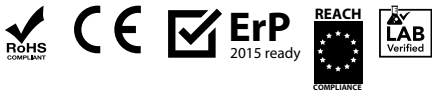


Product drawing



Model No. B3P310-EC102-100

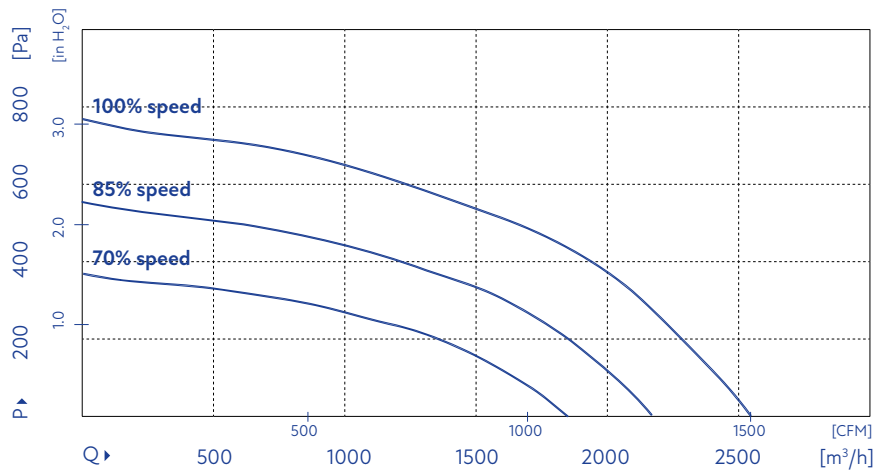
EC Backward Curved Centrifugal Fan



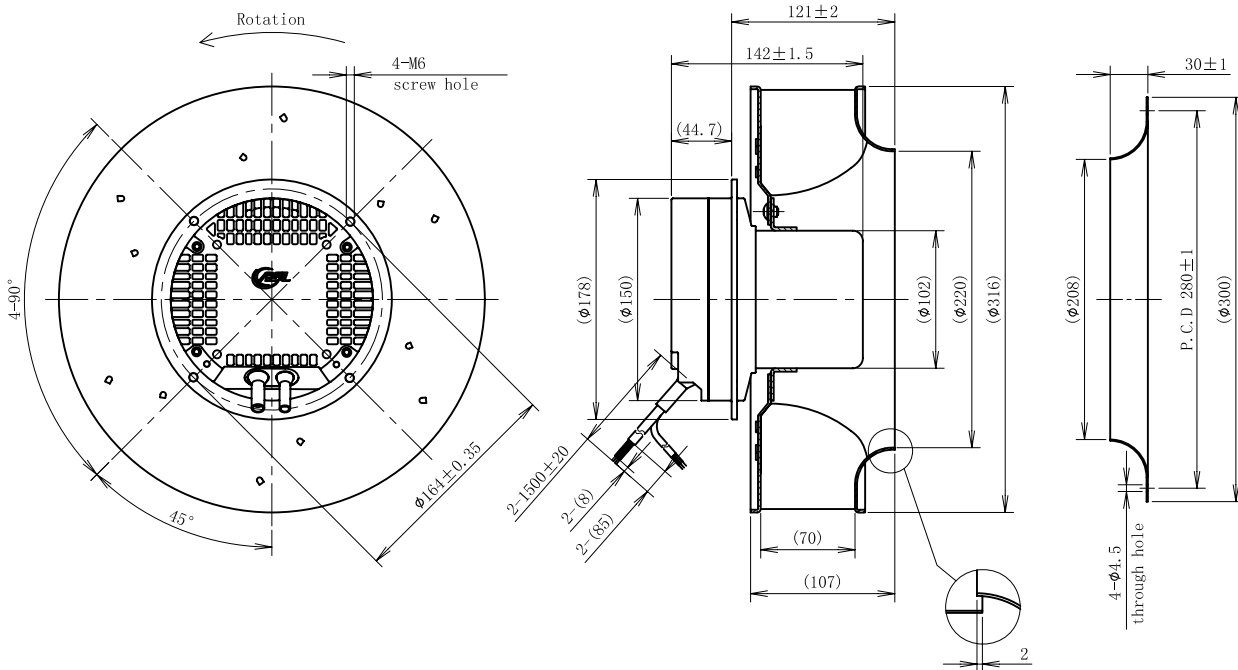
Technical data

Supply	230 VAC
Frequency	50/60 Hz
Current draw	1.4 A
Power input	300 W
Speed	2250 min ⁻¹
Control input	0-10 VDC / PWM
Sound pressure level	68 dB
Degree of protection	IP54
Working temperature	-25 ~ +60 °C
Insulation class	B
Impeller material	sheet aluminium

Air performance



Product drawing



Model No. B3P310-EC102-001

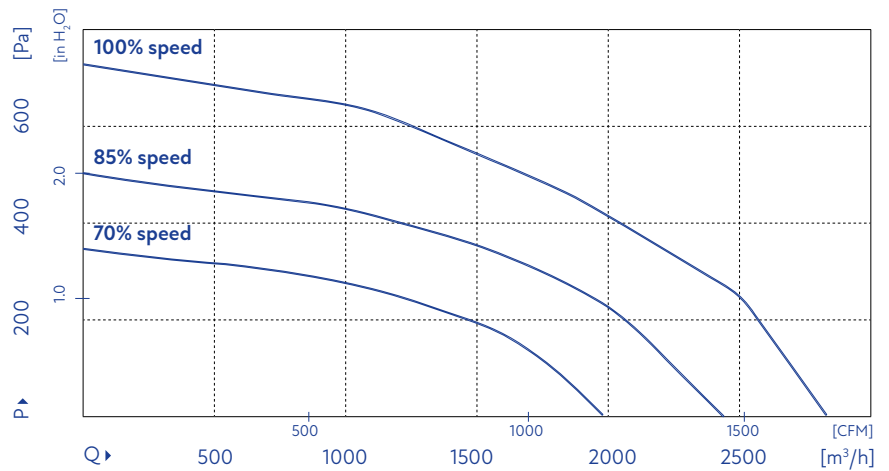
EC Backward Curved Centrifugal Fan



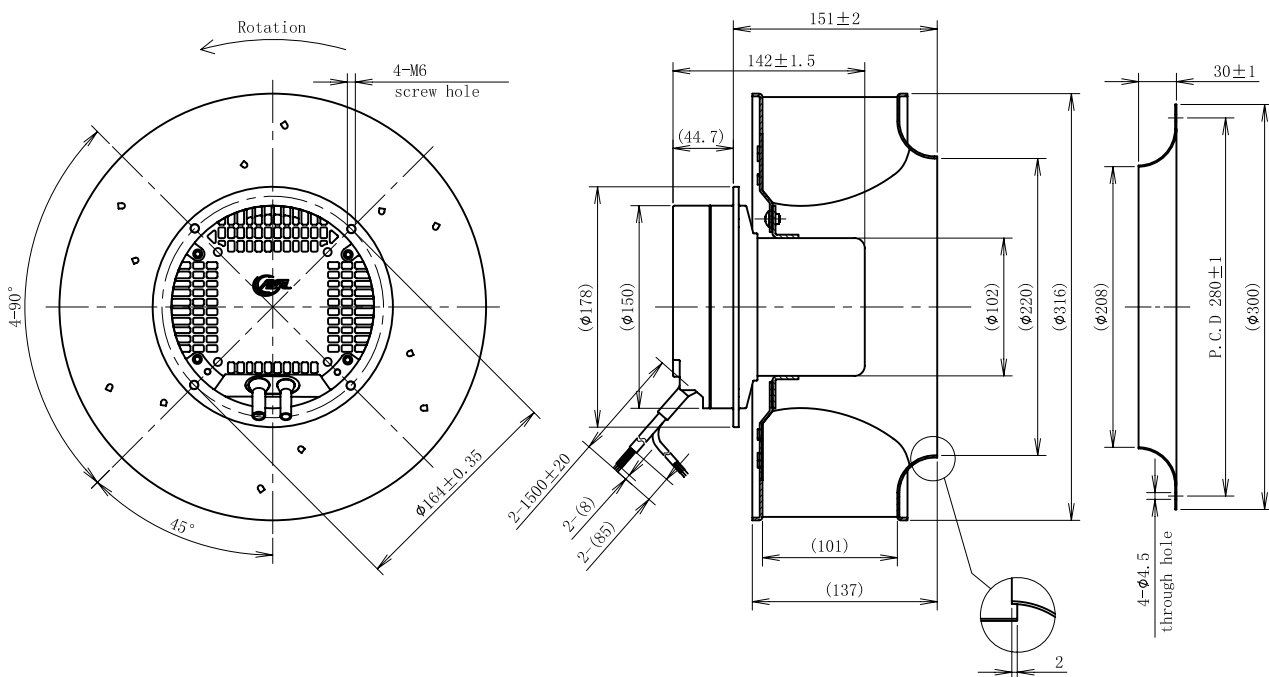
Technical data

Supply	230 VAC
Frequency	50/60 Hz
Current draw	1.45 A
Power input	320 W
Speed	2200 min ⁻¹
Control input	0-10 VDC / PWM
Sound pressure level	79 dB
Degree of protection	IP54
Working temperature	-25 ~ +60 °C
Insulation class	B
Impeller material	sheet aluminium

Air performance

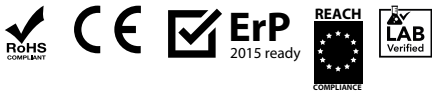


Product drawing



Model No. B3P310-EC137-100

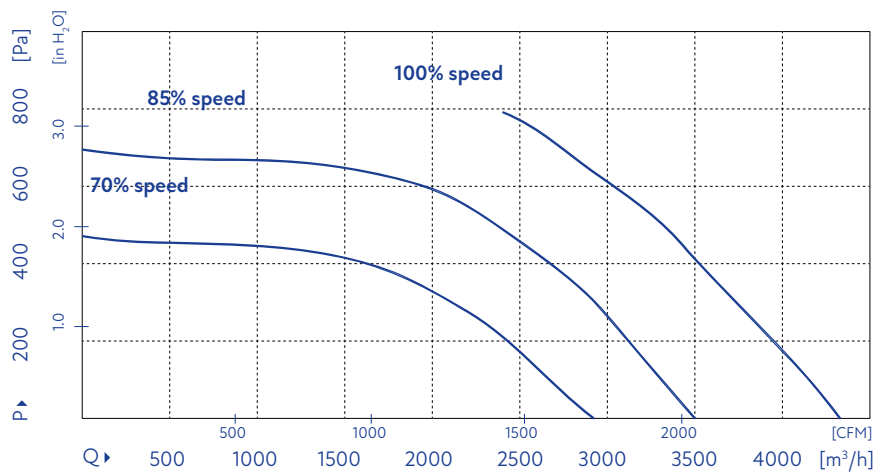
EC Backward Curved Centrifugal Fan



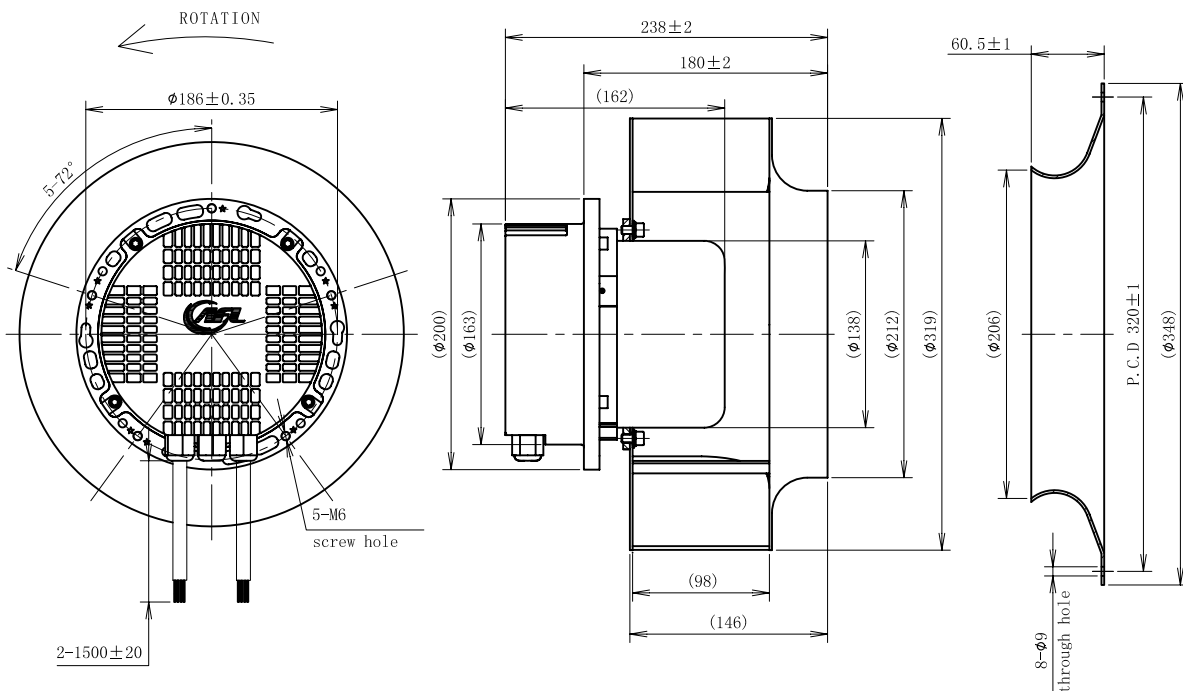
Technical data

Supply	3x400 VAC
Frequency	50/60 Hz
Current draw	1.64 A
Power input	980 W
Speed	2600 min ⁻¹
Control input	0-10 VDC / PWM
Sound pressure level	74 dB
Degree of protection	IP44
Working temperature	-25 ~ +60 °C
Insulation class	F
Impeller material	sheet aluminium

Air performance

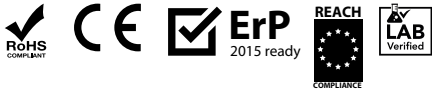


Product drawing



Model No. B3P355-EC092-001

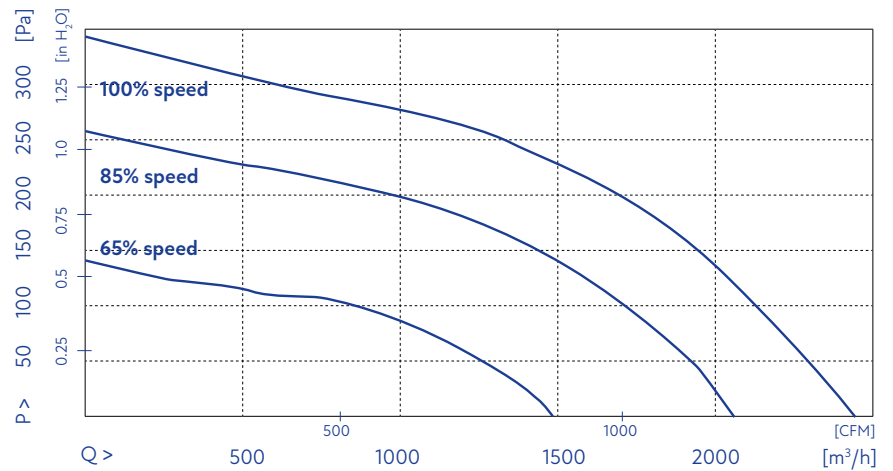
EC Backward Curved Centrifugal Fan



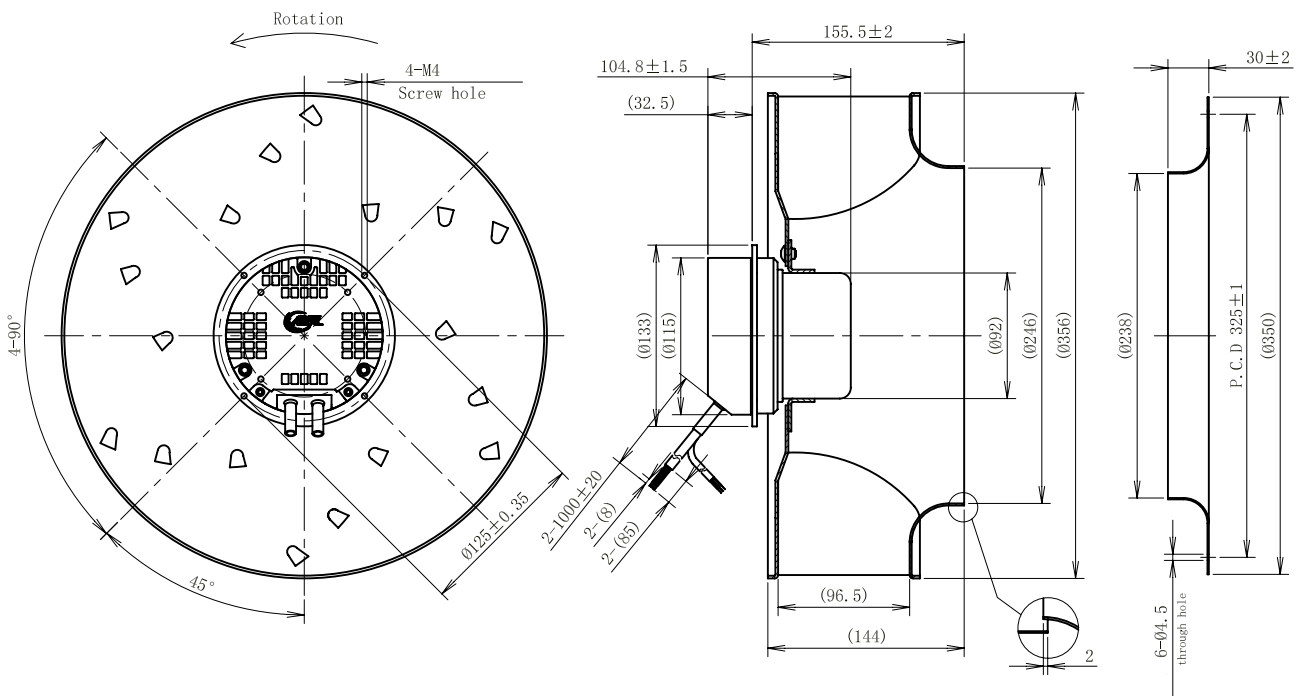
Technical data

Supply	230 VAC
Frequency	50/60 Hz
Current draw	0.9 A
Power input	120 W
Speed	1400 min ⁻¹
Control input	0-10 VDC / PWM
Sound pressure level	68 dB
Degree of protection	IP44
Working temperature	-25 ~ +60 °C
Insulation class	B
Impeller material	sheet aluminium

Air performance

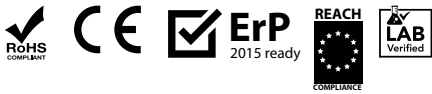


Product drawing



Model No. B3P355-EC102-100

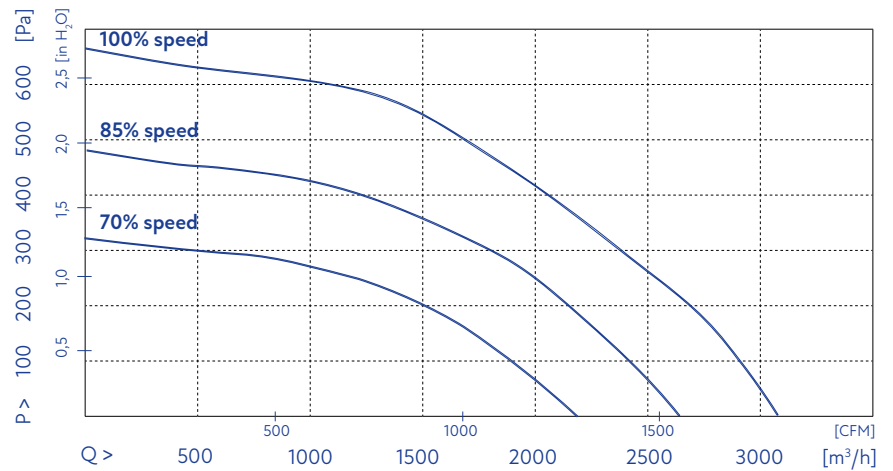
EC Backward Curved Centrifugal Fan



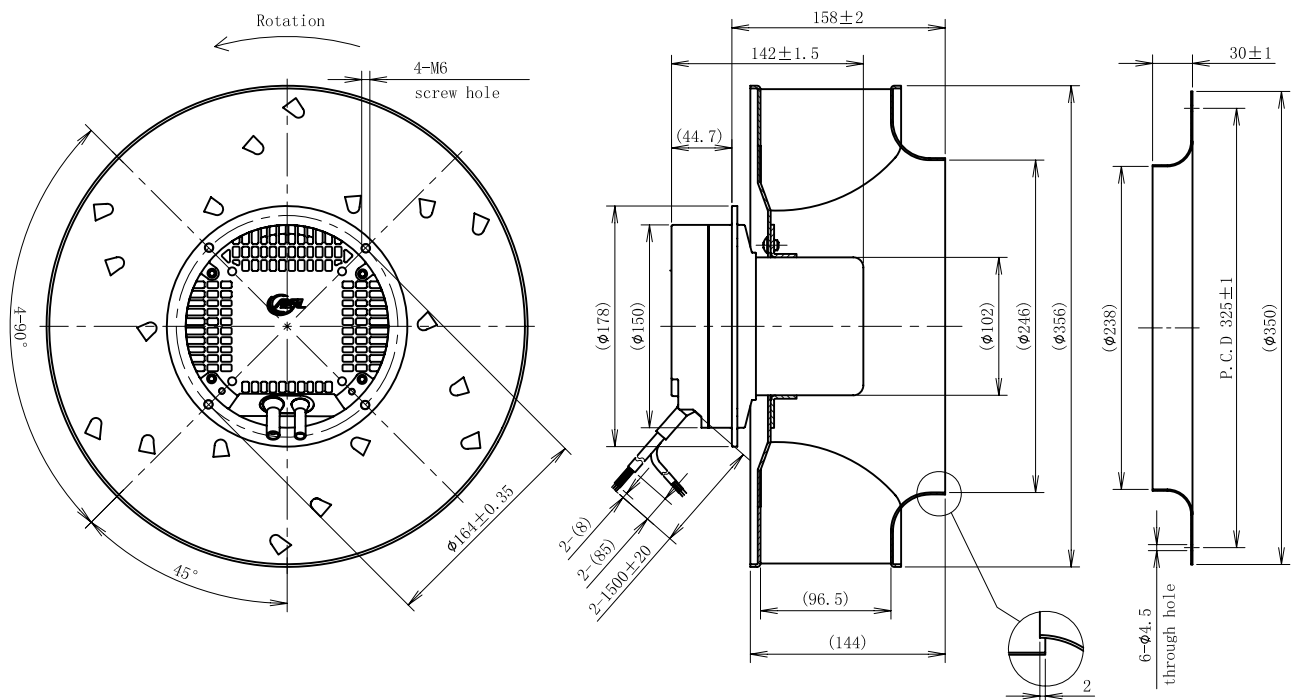
Technical data

Supply	230 VAC
Frequency	50/60 Hz
Current draw	1.5 A
Power input	330 W
Speed	1900 min ⁻¹
Control input	0-10 VDC / PWM
Sound pressure level	77 dB
Degree of protection	IP54
Working temperature	-25 ~ +60 °C
Insulation class	B
Impeller material	sheet aluminium

Air performance



Product drawing



Model No. B3P355-EC102-001

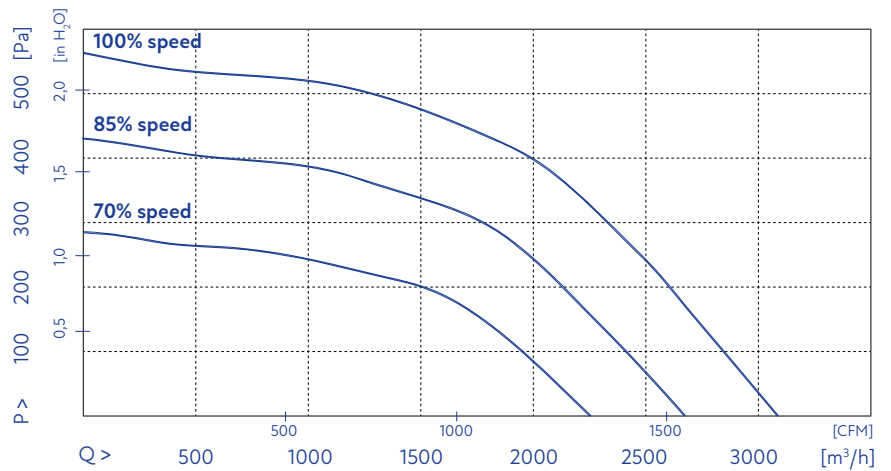
EC Backward Curved Centrifugal Fan



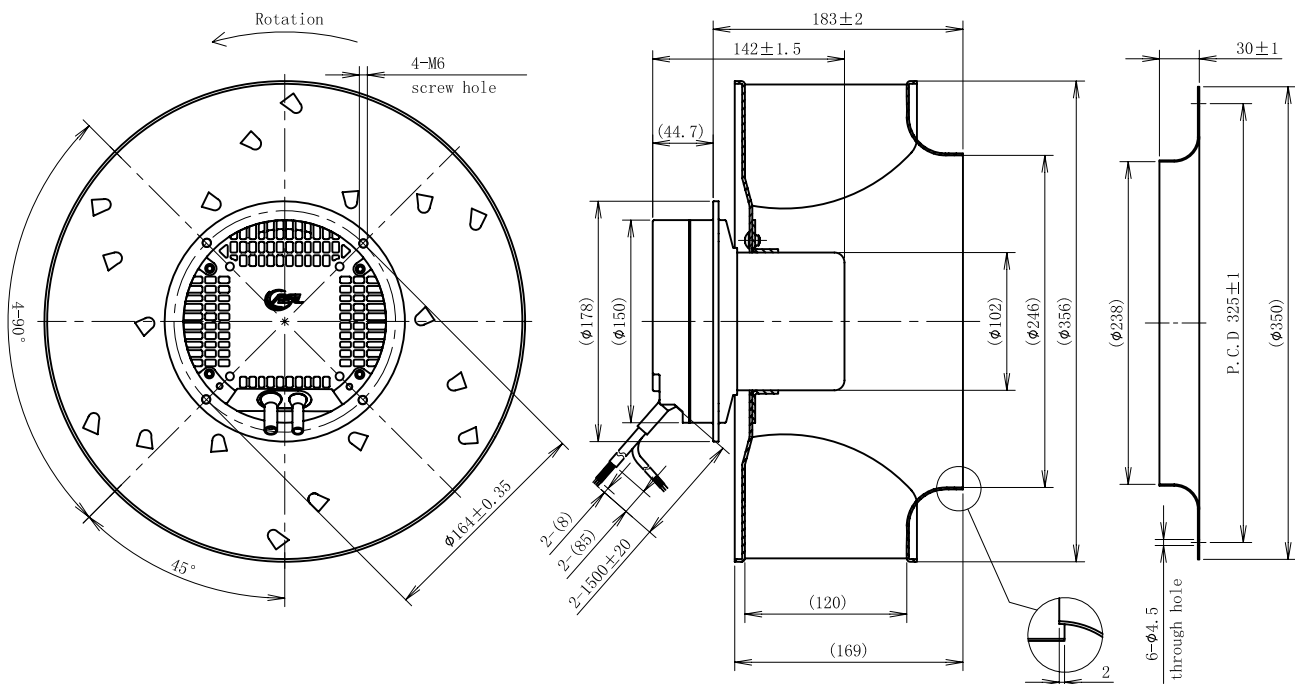
Technical data

Supply	230 VAC
Frequency	50/60 Hz
Current draw	1.4 A
Power input	310 W
Speed	1700 min ⁻¹
Control input	0-10 VDC / PWM
Sound pressure level	73 dB
Degree of protection	IP54
Working temperature	-25 ~ +60 °C
Insulation class	B
Impeller material	sheet aluminium

Air performance



Product drawing



Model No. B3P355-EC137-100

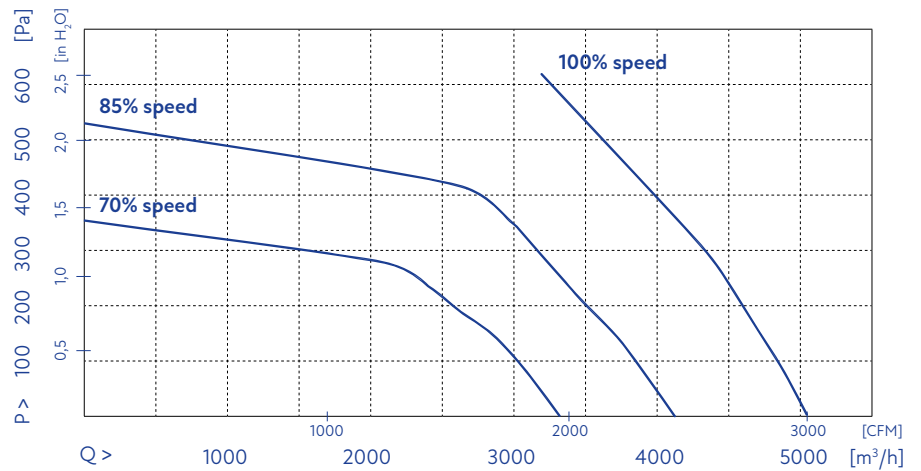
EC Backward Curved Centrifugal Fan



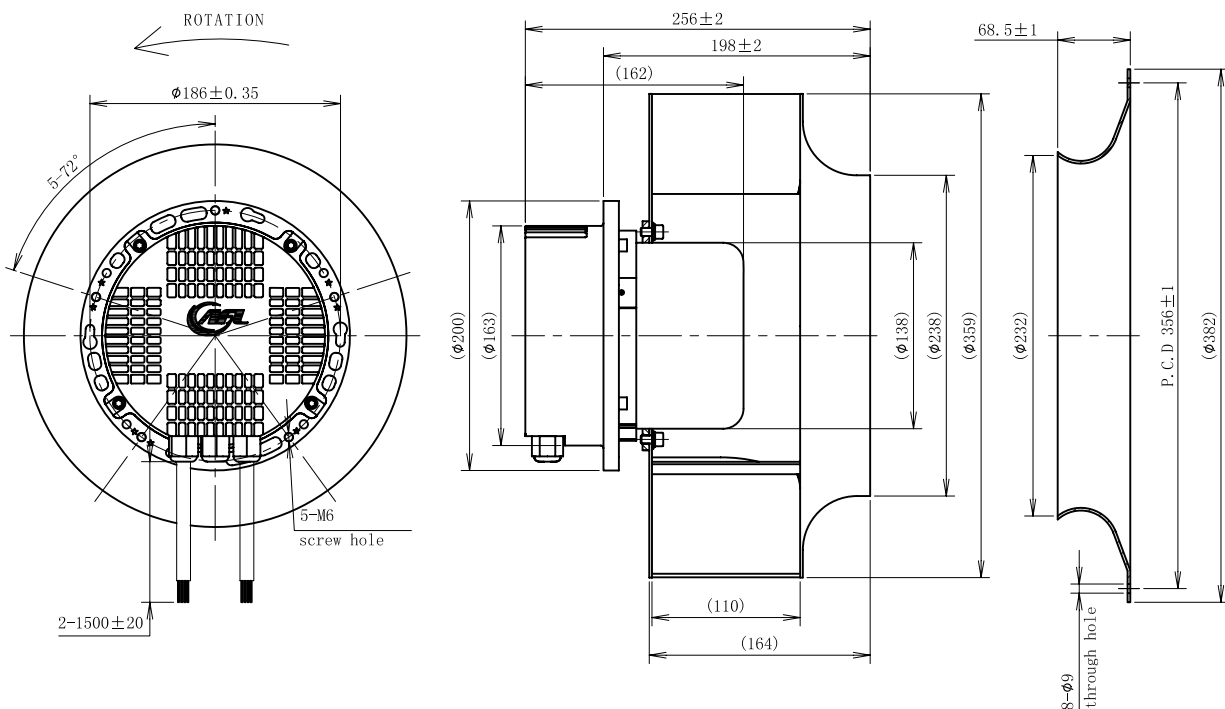
Technical data

Supply	3x400 VAC
Frequency	50/60 Hz
Current draw	1.63 A
Power input	990 W
Speed	2100 min ⁻¹
Control input	0-10 VDC / PWM
Sound pressure level	79 dB
Degree of protection	IP44
Working temperature	-25 ~ +60 °C
Insulation class	F
Impeller material	sheet aluminium

Air performance

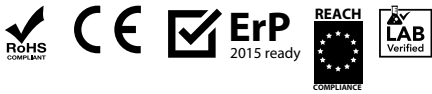


Product drawing



Model No. B3P400-EC102-100

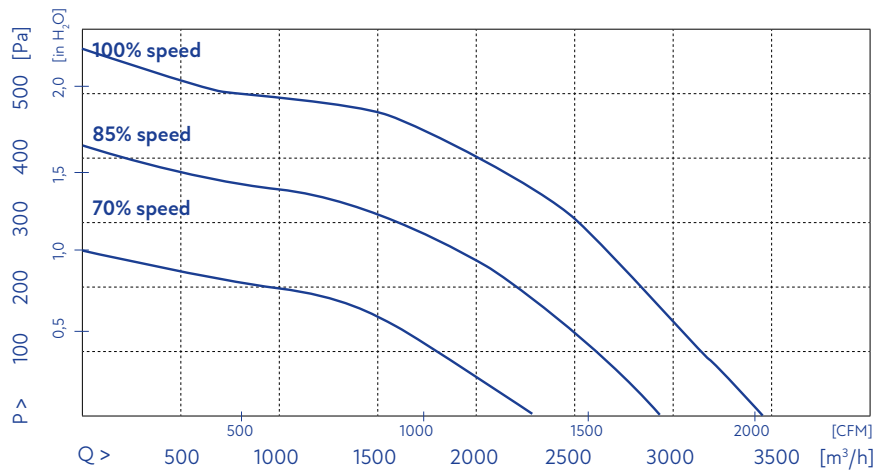
EC Backward Curved Centrifugal Fan



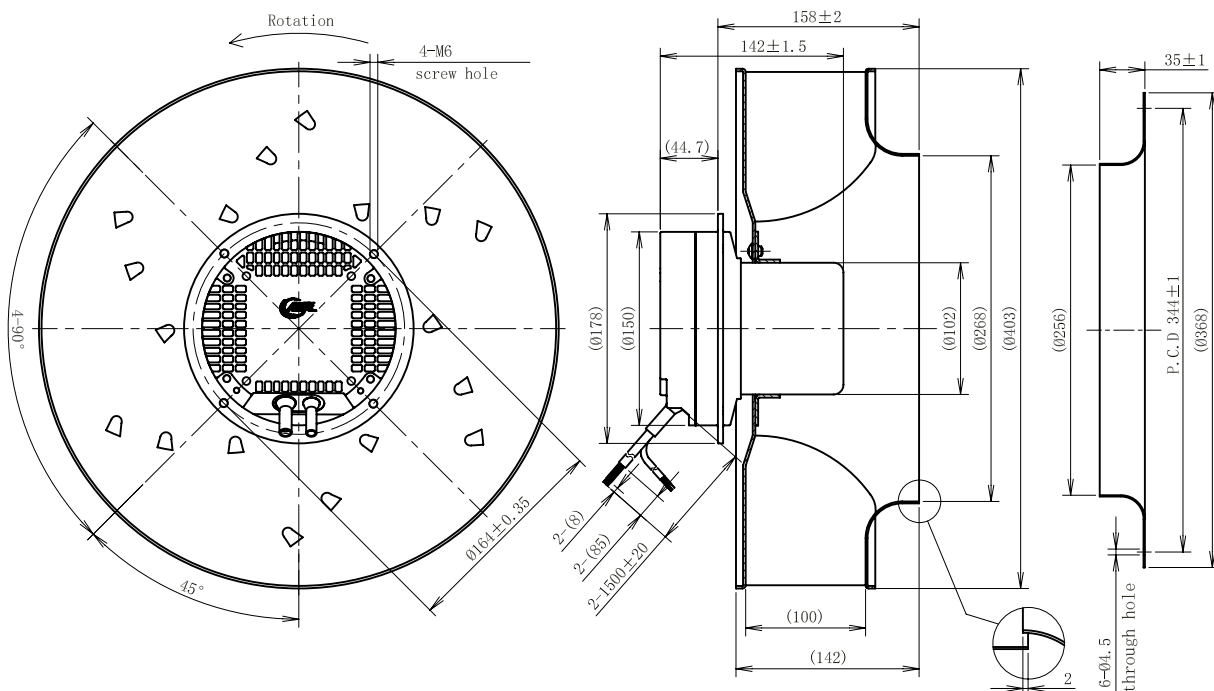
Technical data

Supply	230 VAC
Frequency	50/60 Hz
Current draw	1.0 A
Power input	220 W
Speed	1400 min ⁻¹
Control input	0-10 VDC / PWM
Sound pressure level	72 dB
Degree of protection	IP54
Working temperature	-25 ~ +60 °C
Insulation class	B
Impeller material	sheet aluminium

Air performance



Product drawing



Model No. B3P400-EC102-001

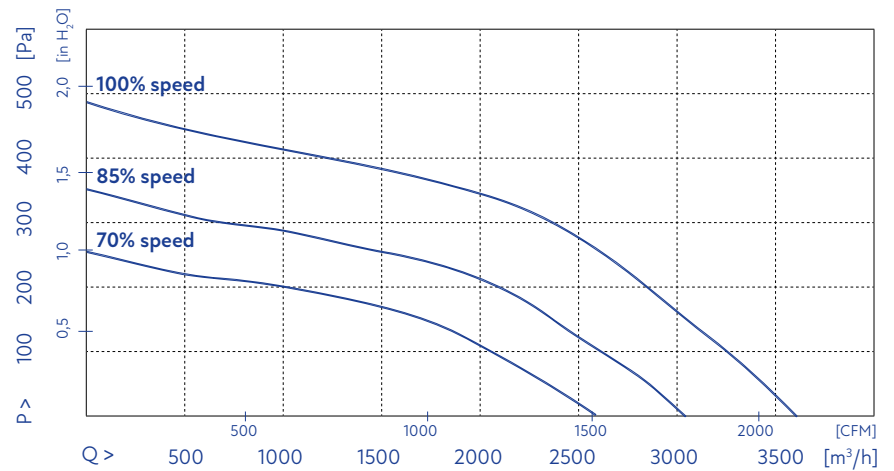
EC Backward Curved Centrifugal Fan



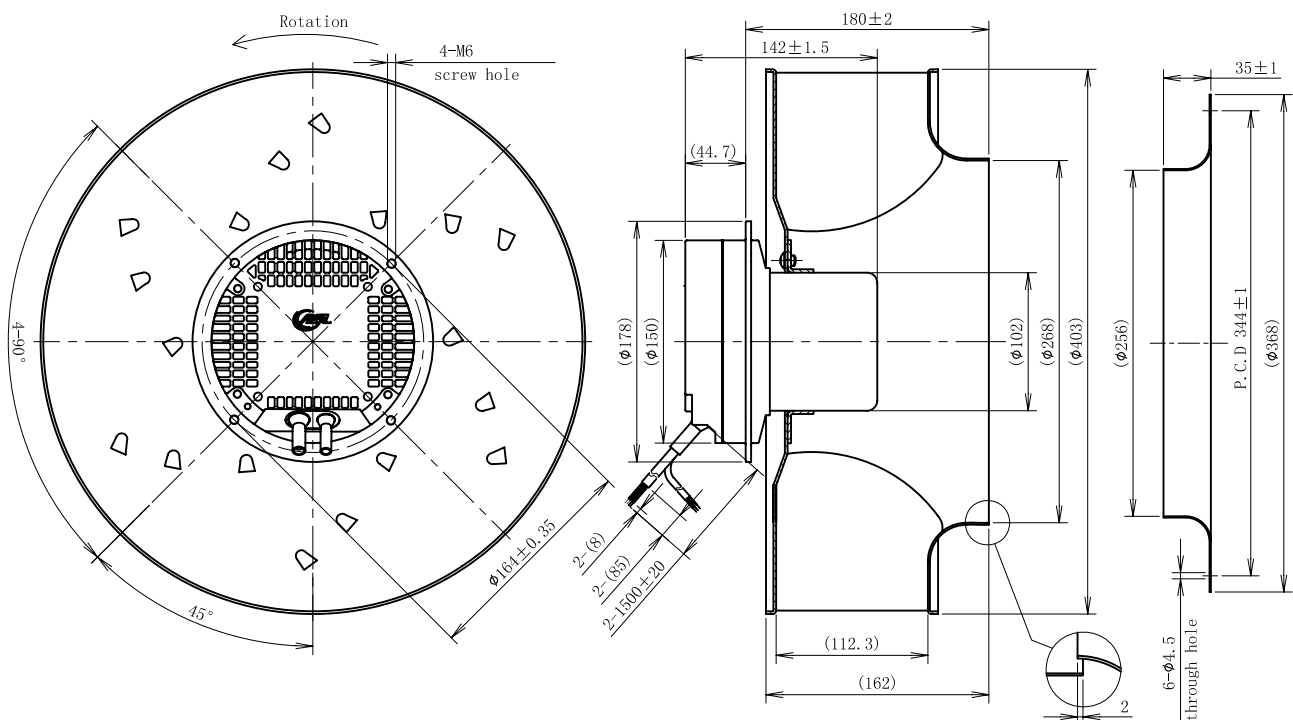
Technical data

Supply	230 VAC
Frequency	50/60 Hz
Current draw	1.5 A
Power input	330 W
Speed	1430 min ⁻¹
Control input	0-10 VDC / PWM
Sound pressure level	75 dB
Degree of protection	IP54
Working temperature	-25 ~ +60 °C
Insulation class	B
Impeller material	sheet aluminium

Air performance

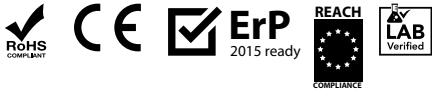


Product drawing



Model No. B3P400-EC137-100

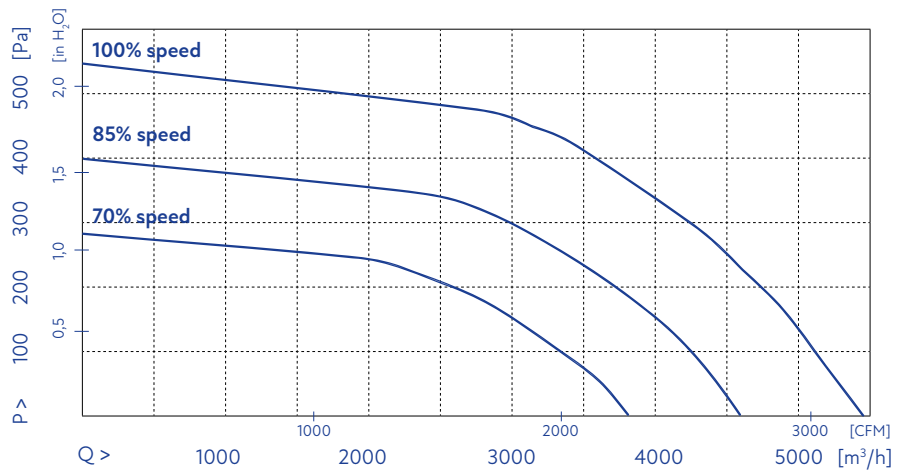
EC Backward Curved Centrifugal Fan



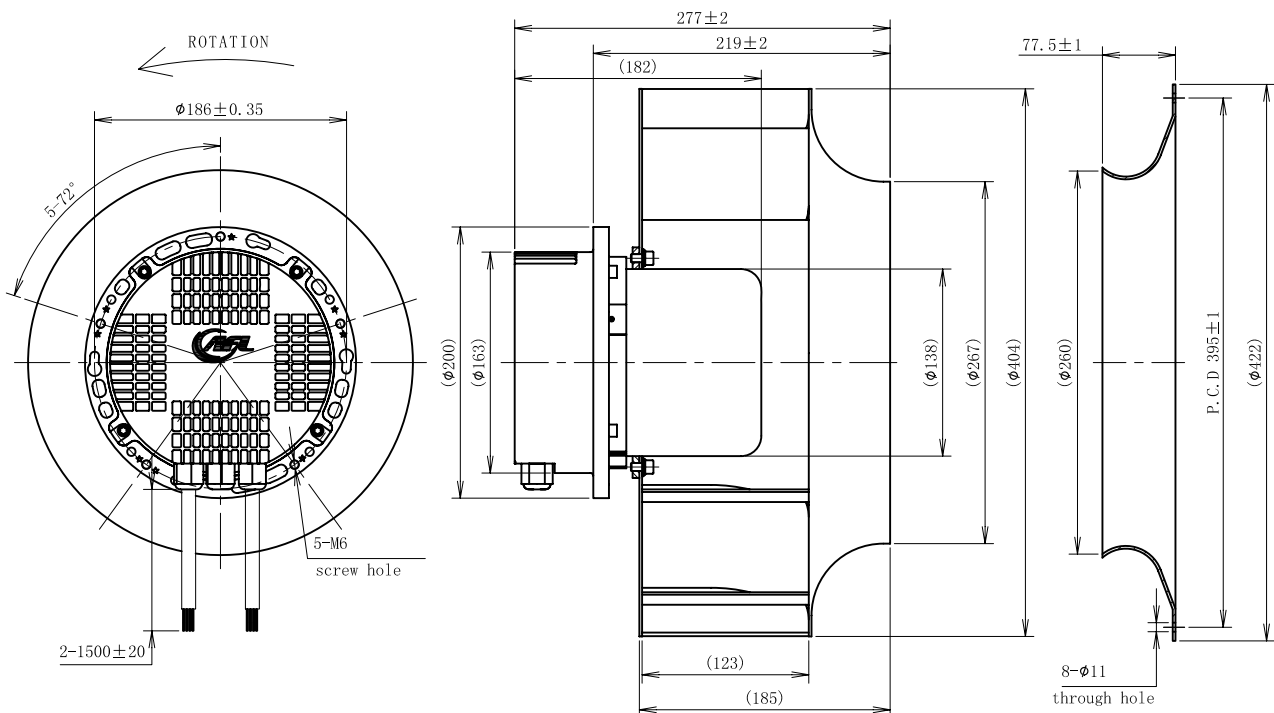
Technical data

Supply	3x400 VAC
Frequency	50/60 Hz
Current draw	1.22 A
Power input	725 W
Speed	1550 min ⁻¹
Control input	0-10 VDC / PWM
Sound pressure level	73 dB
Degree of protection	IP44
Working temperature	-25 ~ +60 °C
Insulation class	F
Impeller material	sheet aluminium

Air performance



Product drawing



Model No. B3P450-EC102-100

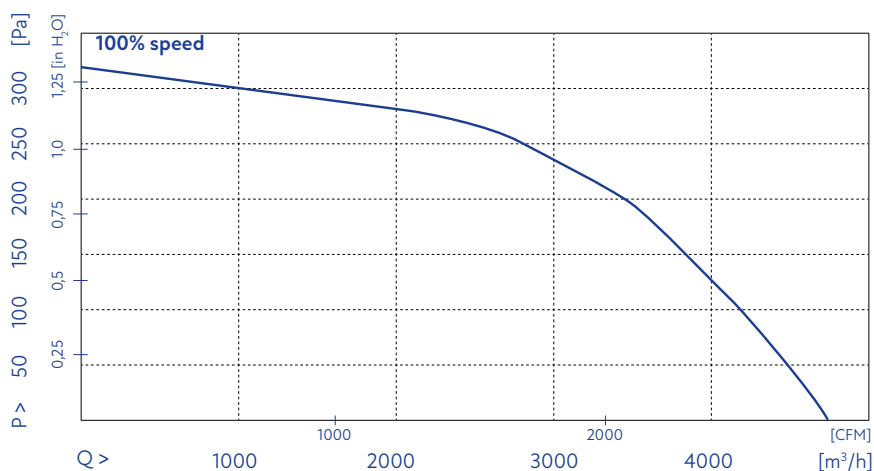
EC Backward Curved Centrifugal Fan



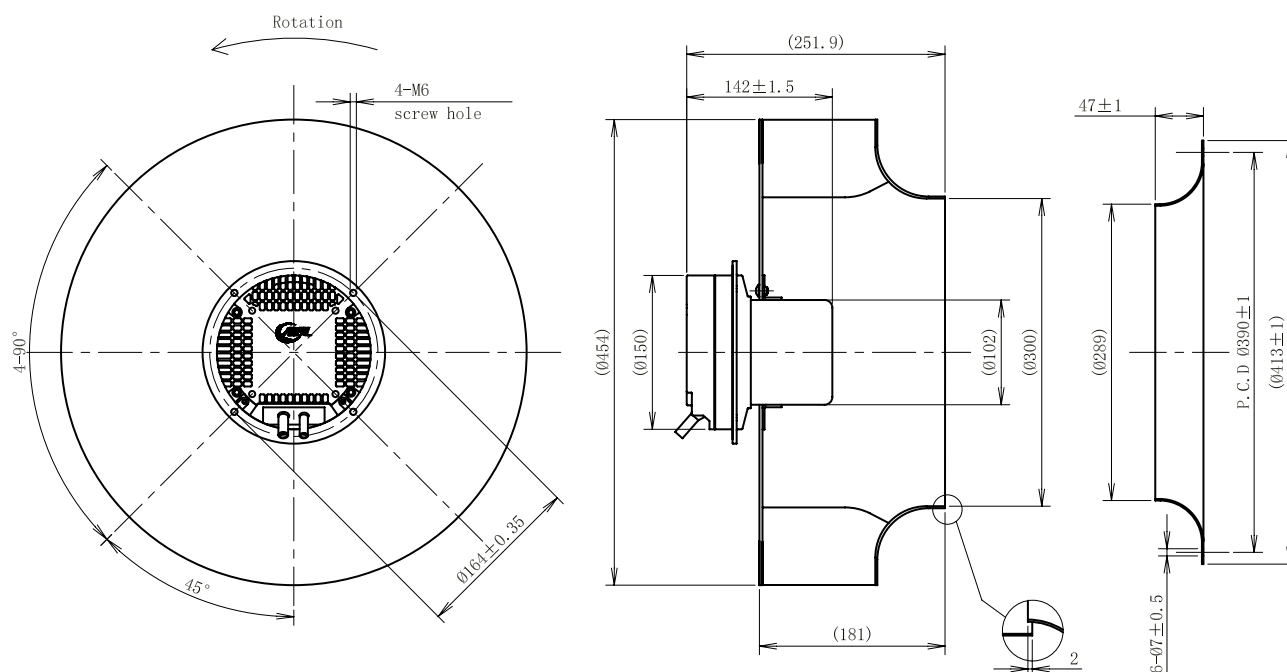
Technical data

Supply	230 VAC
Frequency	50/60 Hz
Current draw	1.2 A
Power input	260 W
Speed	1100 min ⁻¹
Control input	0-10 VDC / PWM
Sound pressure level	70 dB
Degree of protection	IP44
Working temperature	-25 ~ +60 °C
Insulation class	B
Impeller material	sheet aluminium

Air performance

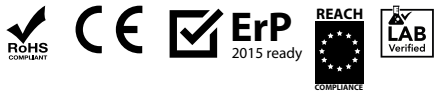
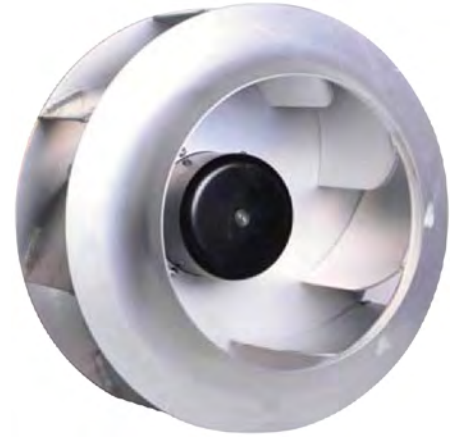


Product drawing



Model No. B3P450-EC137-100

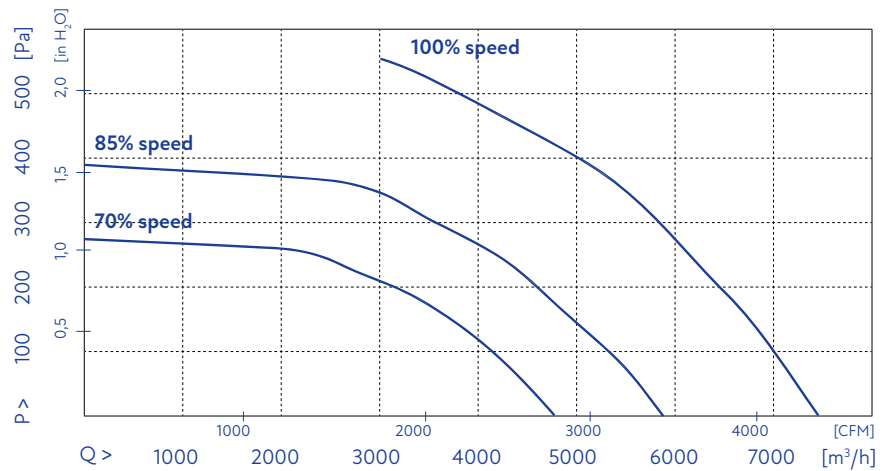
EC Backward Curved Centrifugal Fan



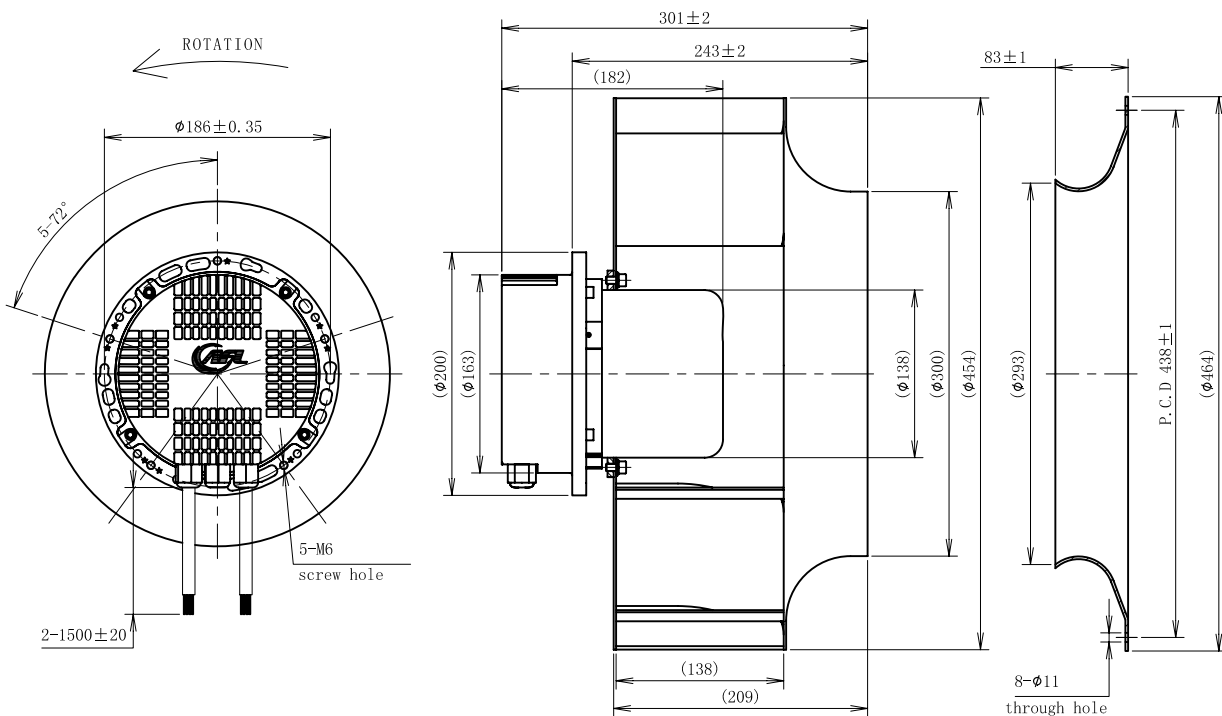
Technical data

Supply	3x400 VAC
Frequency	50/60 Hz
Current draw	1.67 A
Power input	1000 W
Speed	1450 min ⁻¹
Control input	0-10 VDC / PWM
Sound pressure level	73 dB
Degree of protection	IP44
Working temperature	-25 ~ +60 °C
Insulation class	F
Impeller material	sheet aluminium

Air performance

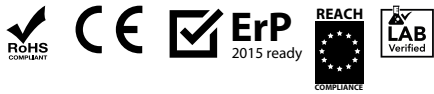


Product drawing



Model No. B3P470-EC102-002

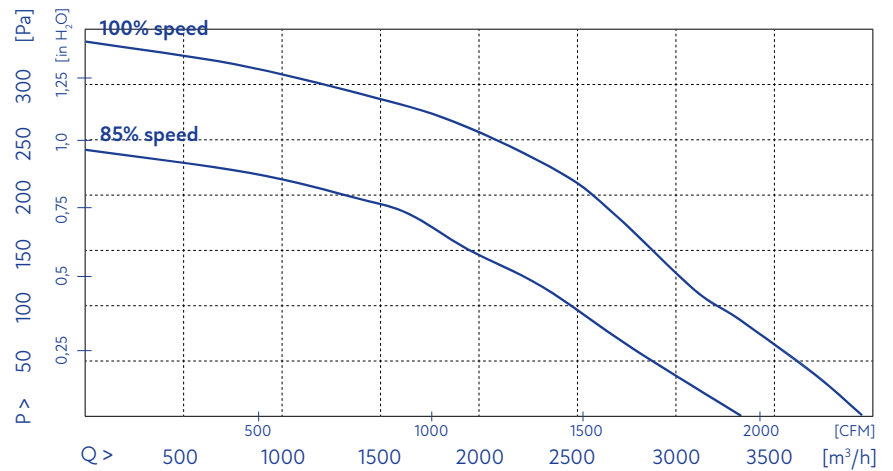
EC Backward Curved Centrifugal Fan



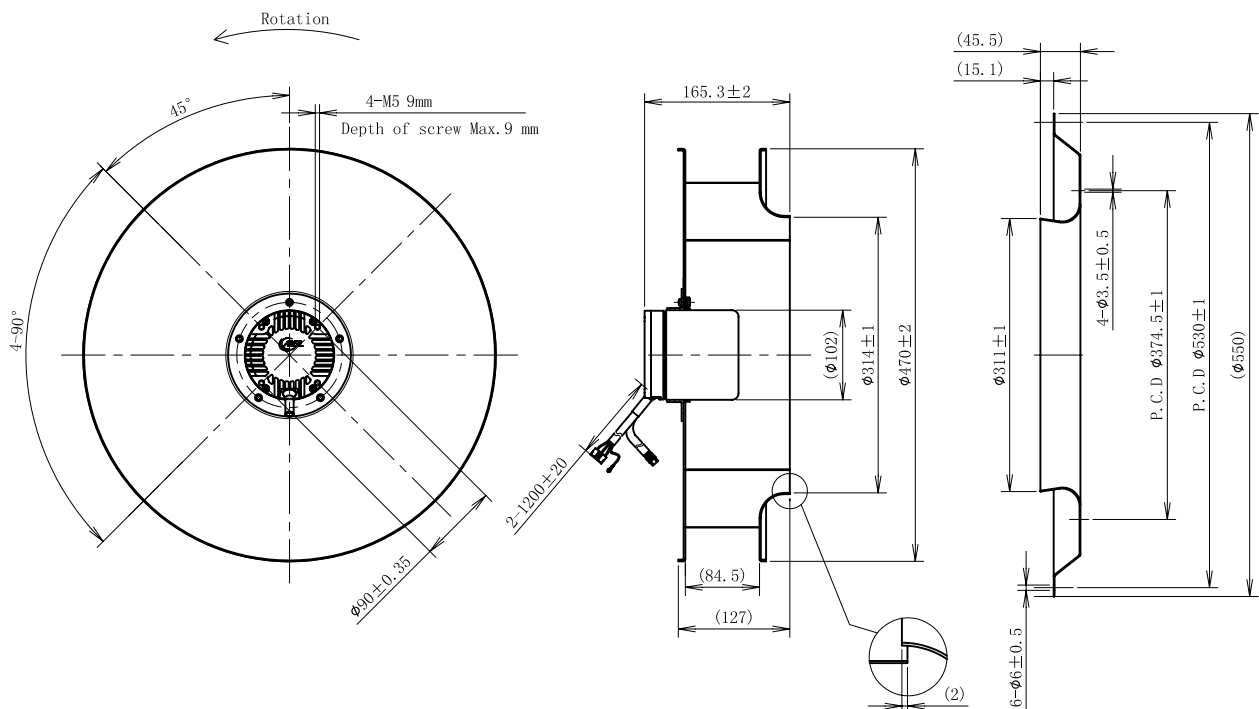
Technical data

Supply	230 VAC
Frequency	50/60 Hz
Current draw	0.85 A
Power input	185 W
Speed	1100 min ⁻¹
Control input	-
Sound pressure level	69 dB
Degree of protection	IP42
Working temperature	-25 ~ +60 °C
Insulation class	B
Impeller material	sheet steel

Air performance

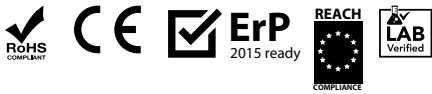


Product drawing



Model No. B3P470-EC102-003

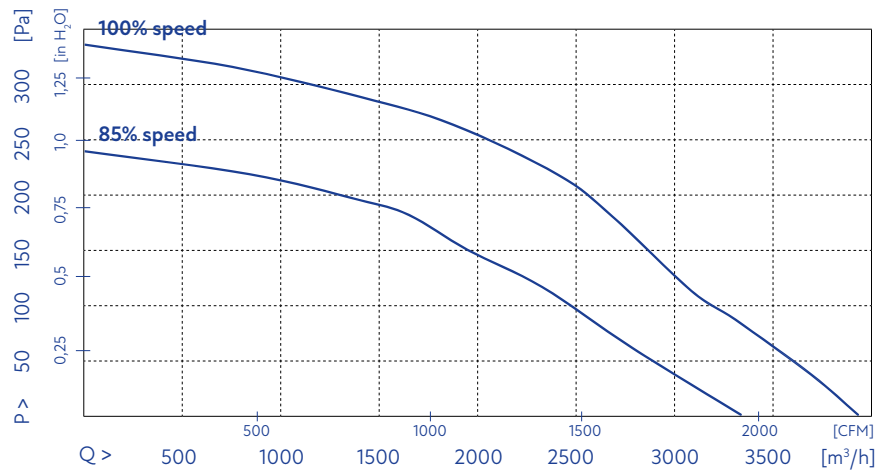
EC Backward Curved Centrifugal Fan



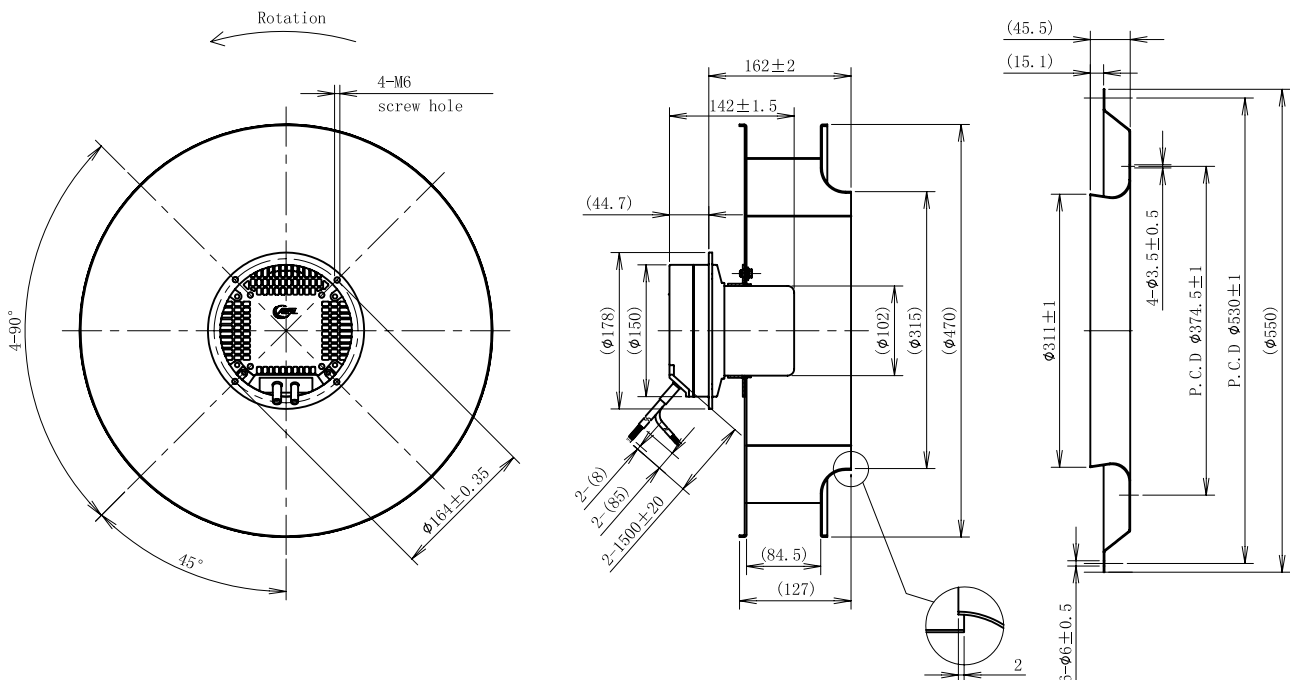
Technical data

Supply	230 VAC
Frequency	50/60 Hz
Current draw	0.85 A
Power input	185 W
Speed	1100 min ⁻¹
Control input	0-10 VDC / PWM
Sound pressure level	69 dB
Degree of protection	IP44
Working temperature	-25 ~ +60 °C
Insulation class	B
Impeller material	sheet steel

Air performance

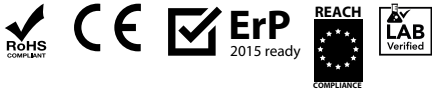


Product drawing



Model No. B3P500-EC137-100

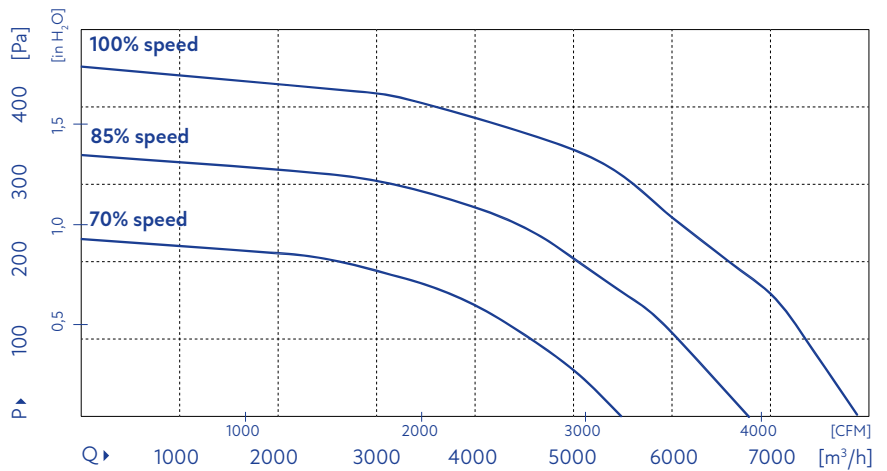
EC Backward Curved Centrifugal Fan



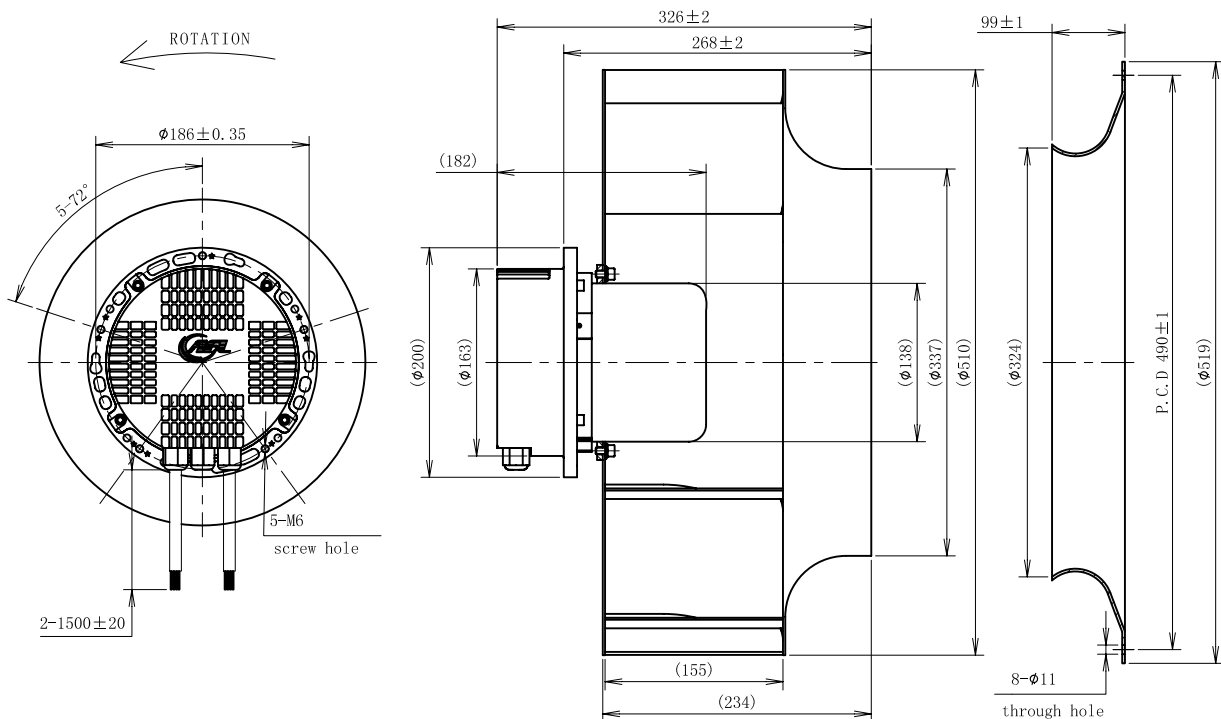
Technical data

Supply	3x400 VAC
Frequency	50/60 Hz
Current draw	1.46 A
Power input	870 W
Speed	1100 min ⁻¹
Control input	0-10 VDC / PWM
Sound pressure level	71 dB
Degree of protection	IP44
Working temperature	-25 ~ +60 °C
Insulation class	F
Impeller material	sheet aluminium

Air performance



Product drawing



Model No. B3P560-EC137-100

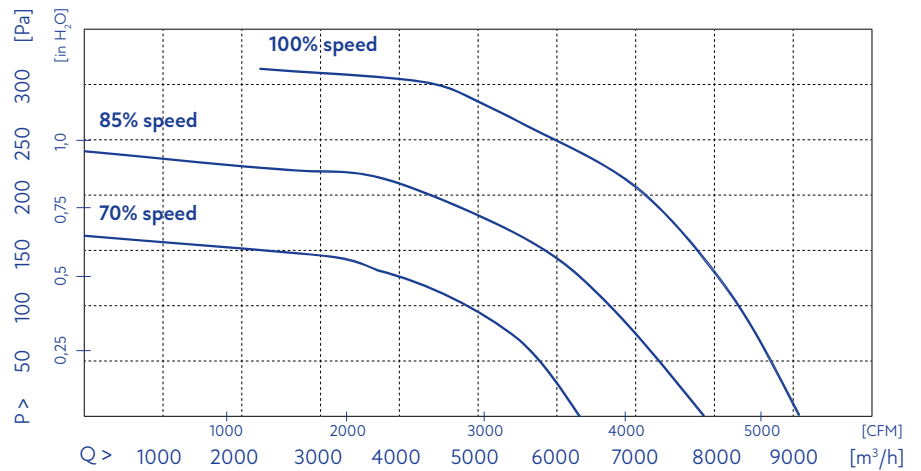
EC Backward Curved Centrifugal Fan



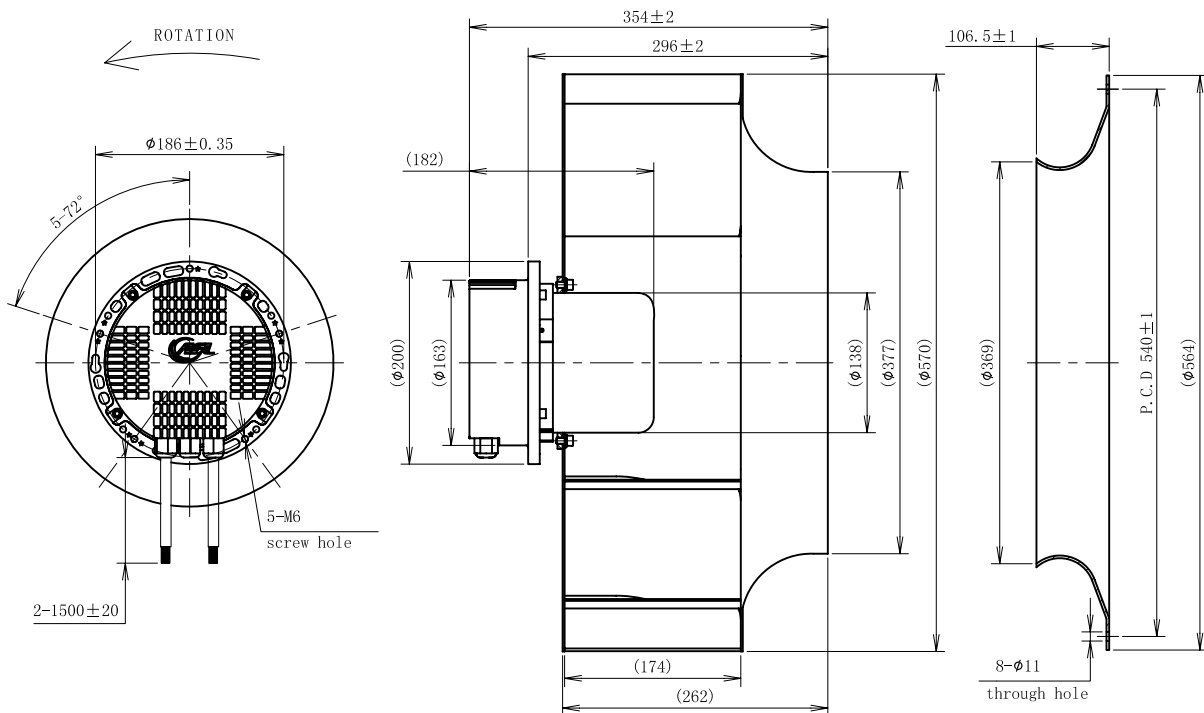
Technical data

Supply	3x400 VAC
Frequency	50/60 Hz
Current draw	1.3 A
Power input	770 W
Speed	850 min ⁻¹
Control input	0-10 VDC / PWM
Sound pressure level	69 dB
Degree of protection	IP44
Working temperature	-25 ~ +60 °C
Insulation class	F
Impeller material	sheet aluminium

Air performance



Product drawing

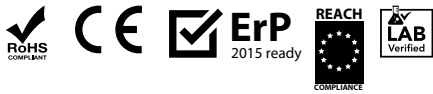




EC Backward Curved
Centrifugal Fans +

Model No. B3P133-EC072-010

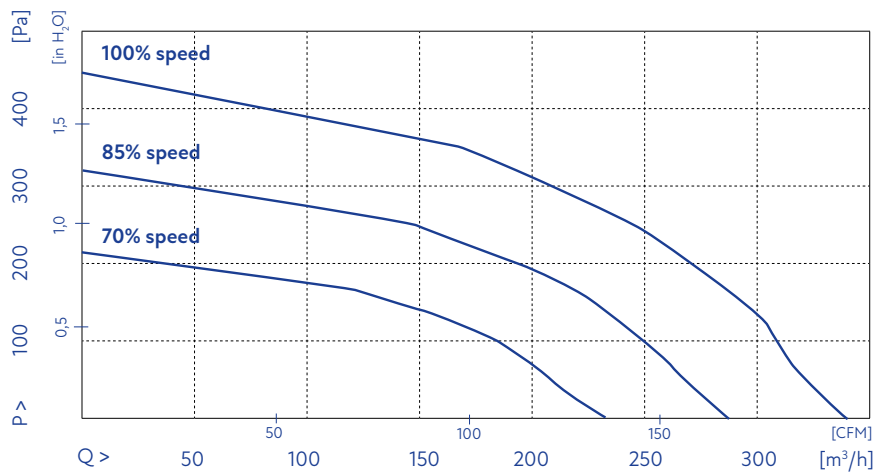
EC Backward Curved Centrifugal Fan+



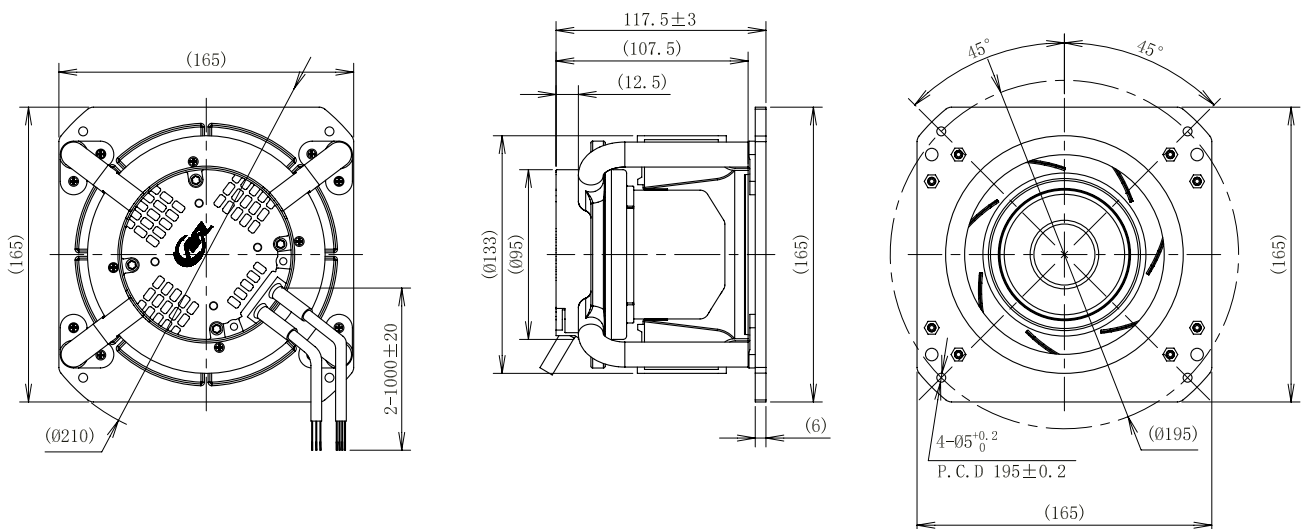
Technical data

Supply	230 VAC
Frequency	50/60 Hz
Current draw	0.425 A
Power input	55 W
Speed	4500 min ⁻¹
Control input	0-10 VDC / PWM
Sound pressure level	68 dB
Degree of protection	IP44
Working temperature	-25 ~ +60 °C
Insulation class	B
Impeller material	PA66

Air performance



Product drawing



Model No. B3P190-EC072-005

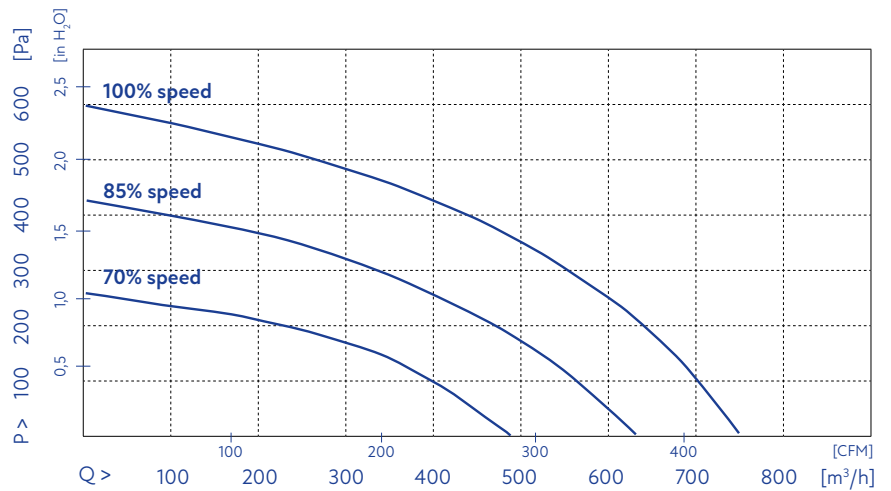
EC Backward Curved Centrifugal Fan+



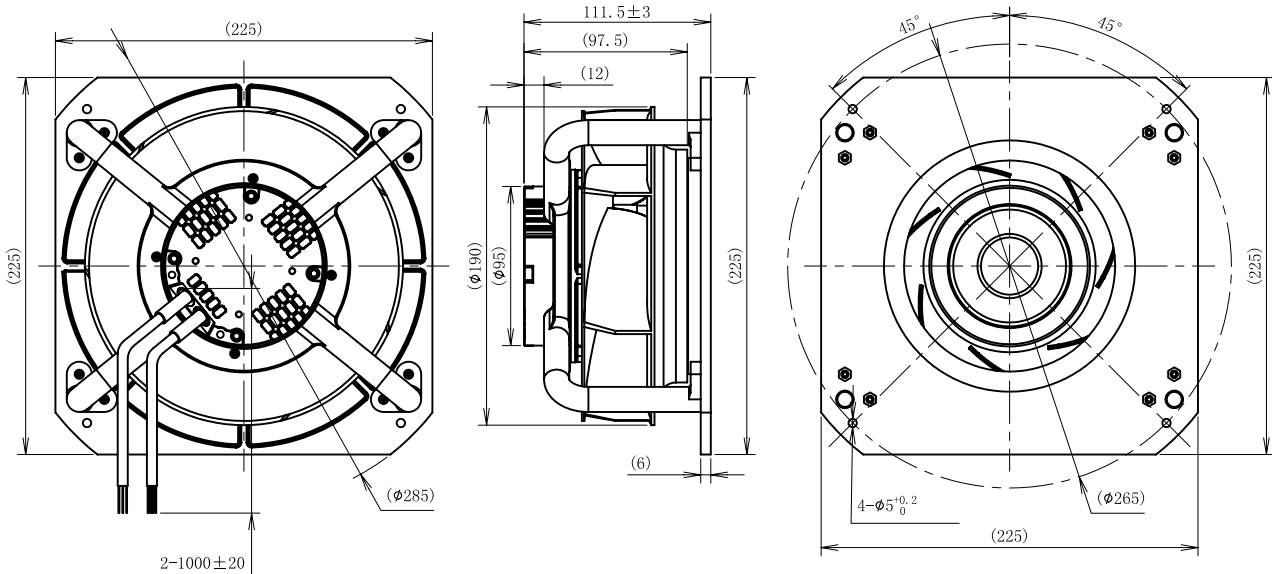
Technical data

Supply	230 VAC
Frequency	50/60 Hz
Current draw	0.73 A
Power input	95 W
Speed	3570 min ⁻¹
Control input	0-10 VDC / PWM
Sound pressure level	78 dB
Degree of protection	IP44
Working temperature	-25 ~ +60 °C
Insulation class	B
Impeller material	PA66

Air performance

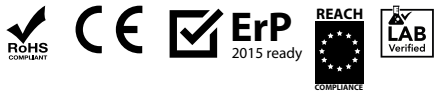


Product drawing



Model No. B3P190-EC092-015

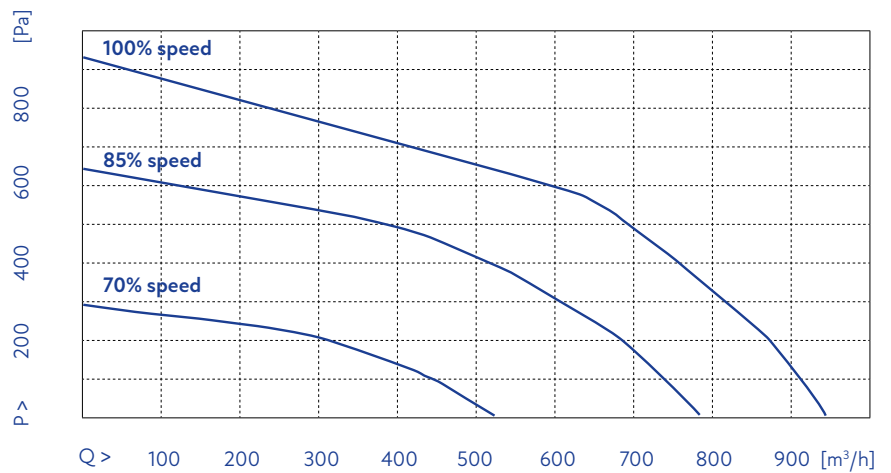
EC Backward Curved Centrifugal Fan+



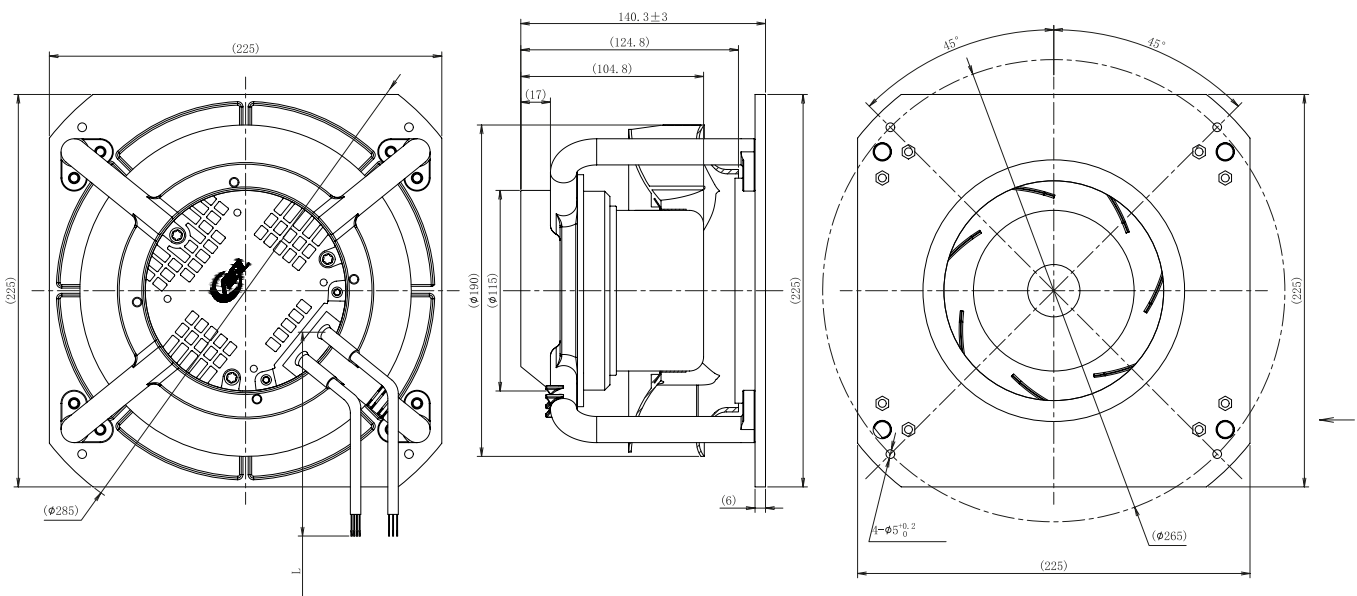
Technical data

Supply	230 VAC
Frequency	50/60 Hz
Current draw	1.4 A
Power input	180 W
Speed	4500 min ⁻¹
Control input	0-10 VDC / PWM
Sound pressure level	76 dB
Degree of protection	IP44
Working temperature	-25 ~ +60 °C
Insulation class	B
Impeller material	PA66

Air performance

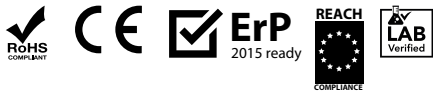


Product drawing



Model No. B3P225-EC092-024

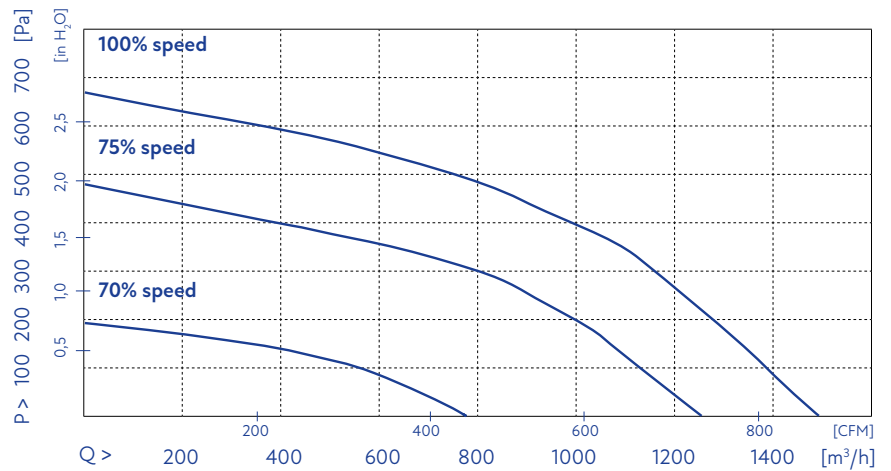
EC Backward Curved Centrifugal Fan+



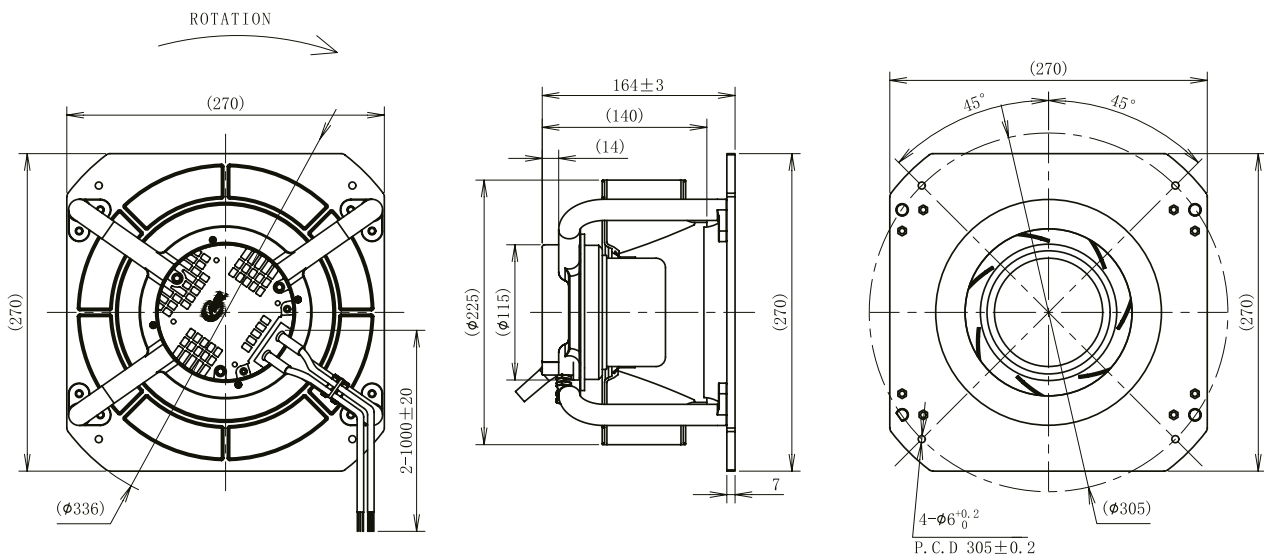
Technical data

Supply	230 VAC
Frequency	50/60 Hz
Current draw	1.1 A
Power input	160 W
Speed	3000 min ⁻¹
Control input	0-10 VDC / PWM
Sound pressure level	71 dB
Degree of protection	IP44
Working temperature	-25 ~ +60 °C
Insulation class	B
Impeller material	PA66

Air performance



Product drawing



Model No. B3P250-EC092-025

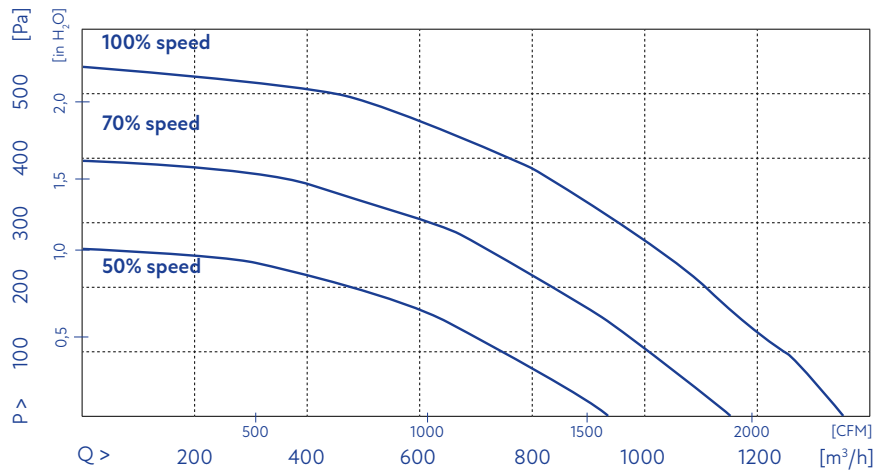
EC Backward Curved Centrifugal Fan+



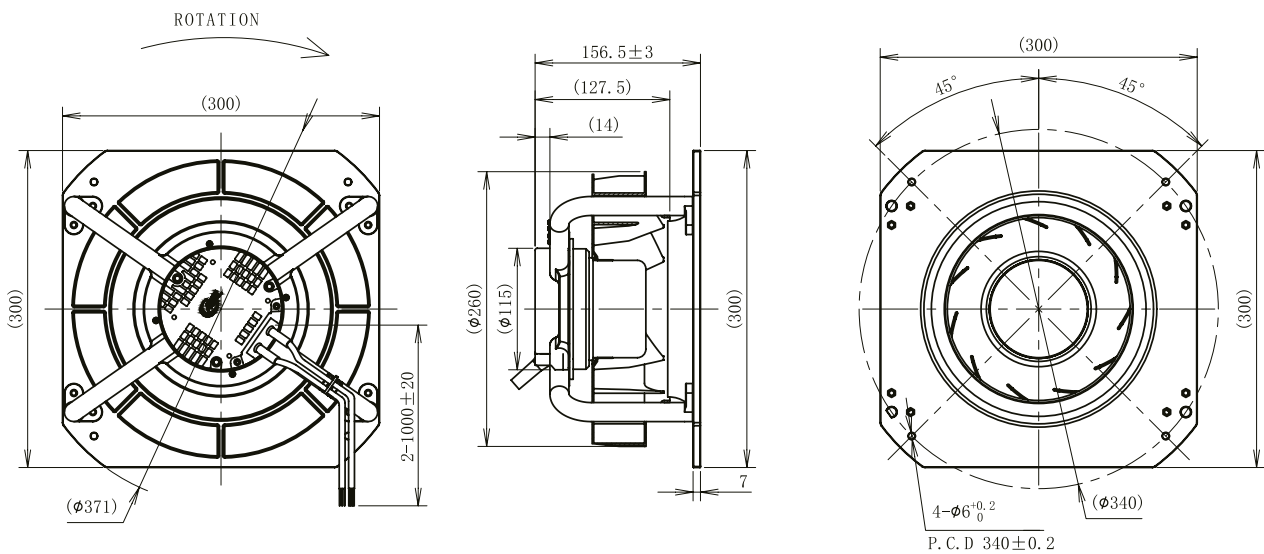
Technical data

Supply	230 VAC
Frequency	50/60 Hz
Current draw	1.1 A
Power input	170 W
Speed	2600 min ⁻¹
Control input	0-10 VDC / PWM
Sound pressure level	69 dB
Degree of protection	IP44
Working temperature	-25 ~ +60 °C
Insulation class	B
Impeller material	PA66

Air performance

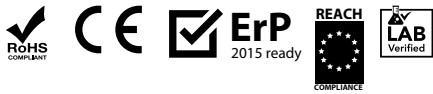


Product drawing



Model No. B3P280-EC092-013

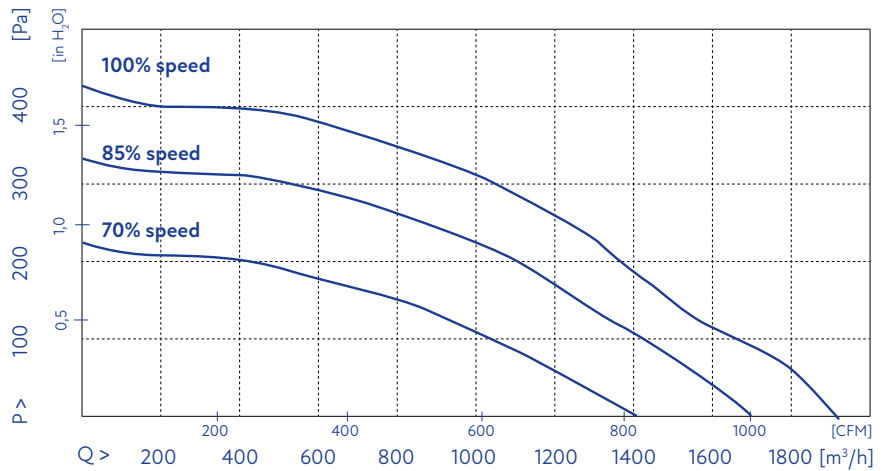
EC Backward Curved Centrifugal Fan+



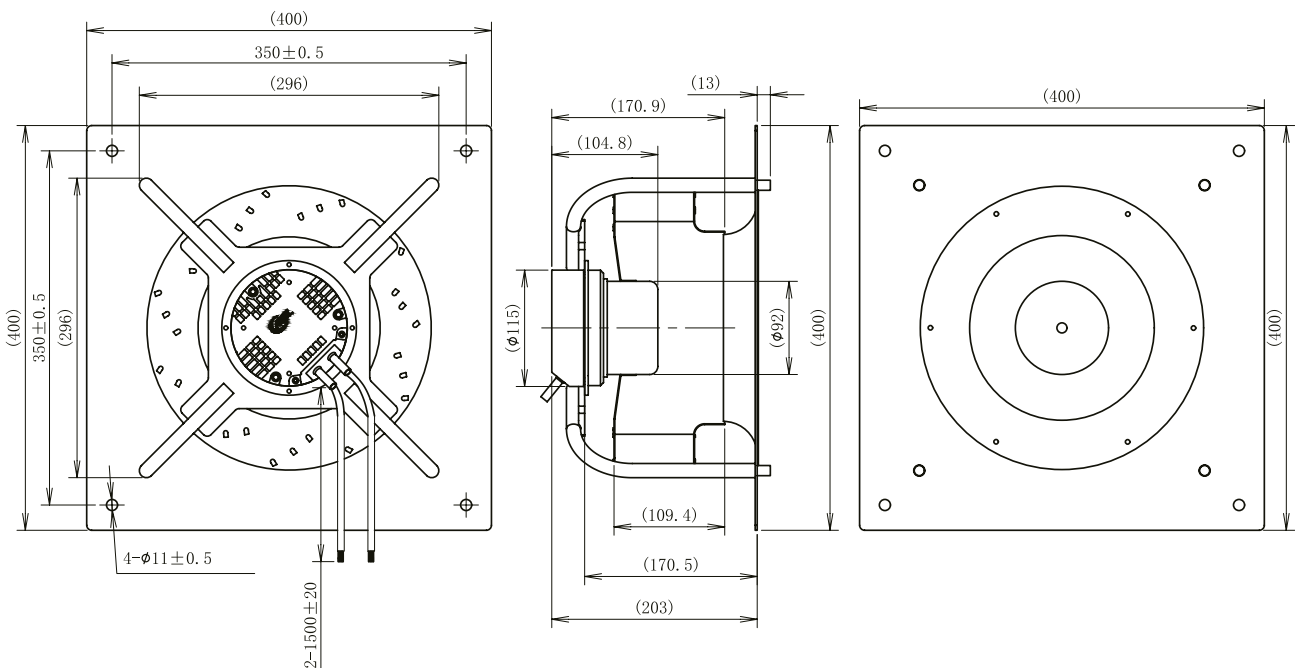
Technical data

Supply	230 VAC
Frequency	50/60 Hz
Current draw	0.9 A
Power input	130 W
Speed	2000 min ⁻¹
Control input	0-10 VDC / PWM
Sound pressure level	73 dB
Degree of protection	IP44
Working temperature	-25 ~ +60 °C
Insulation class	B
Impeller material	PA66

Air performance



Product drawing



Model No. B3P280-EC137-010

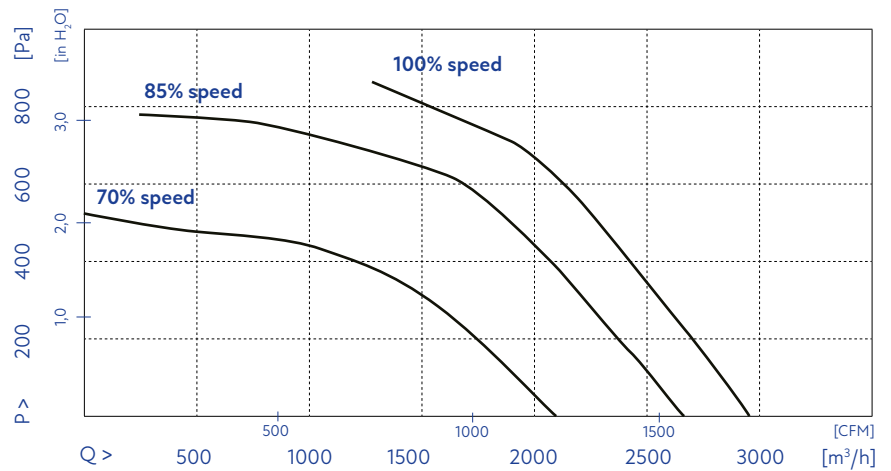
EC Backward Curved Centrifugal Fan+



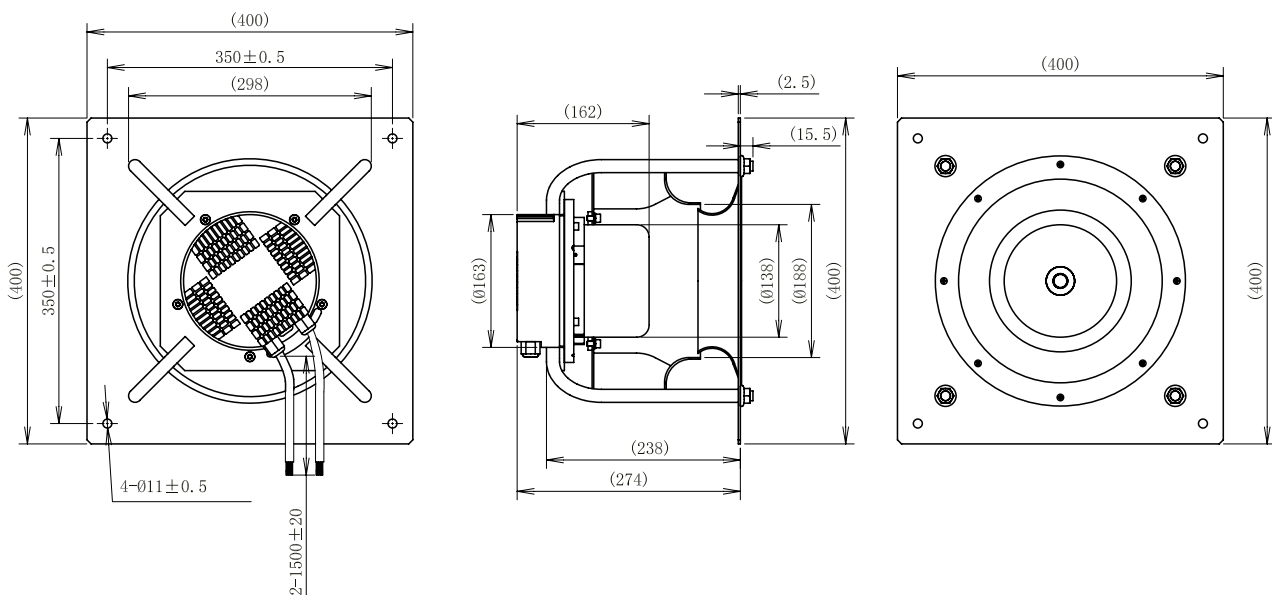
Technical data

Supply	3x400 VAC
Frequency	50/60 Hz
Current draw	1.1 A
Power input	780 W
Speed	2850 min ⁻¹
Control input	0-10 VDC / PWM
Sound pressure level	85 dB
Degree of protection	IP44
Working temperature	-25 ~ +60 °C
Insulation class	F
Impeller material	sheet aluminium

Air performance



Product drawing



Model No. B3P310-EC092-013

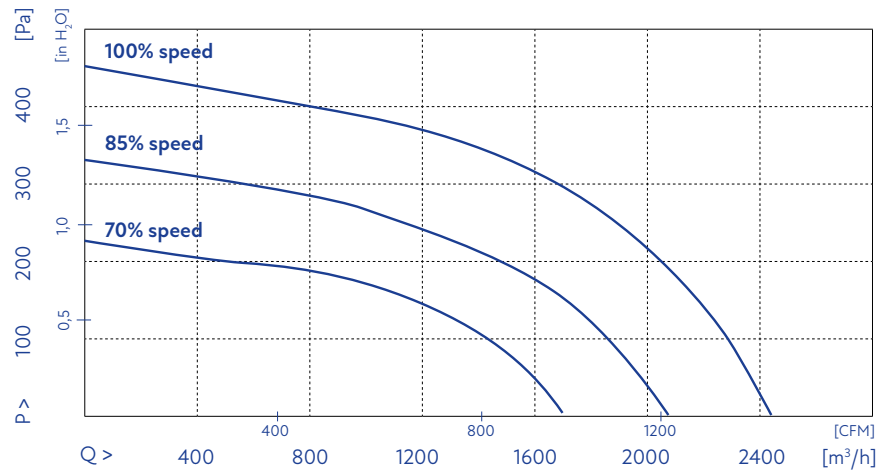
EC Backward Curved Centrifugal Fan+



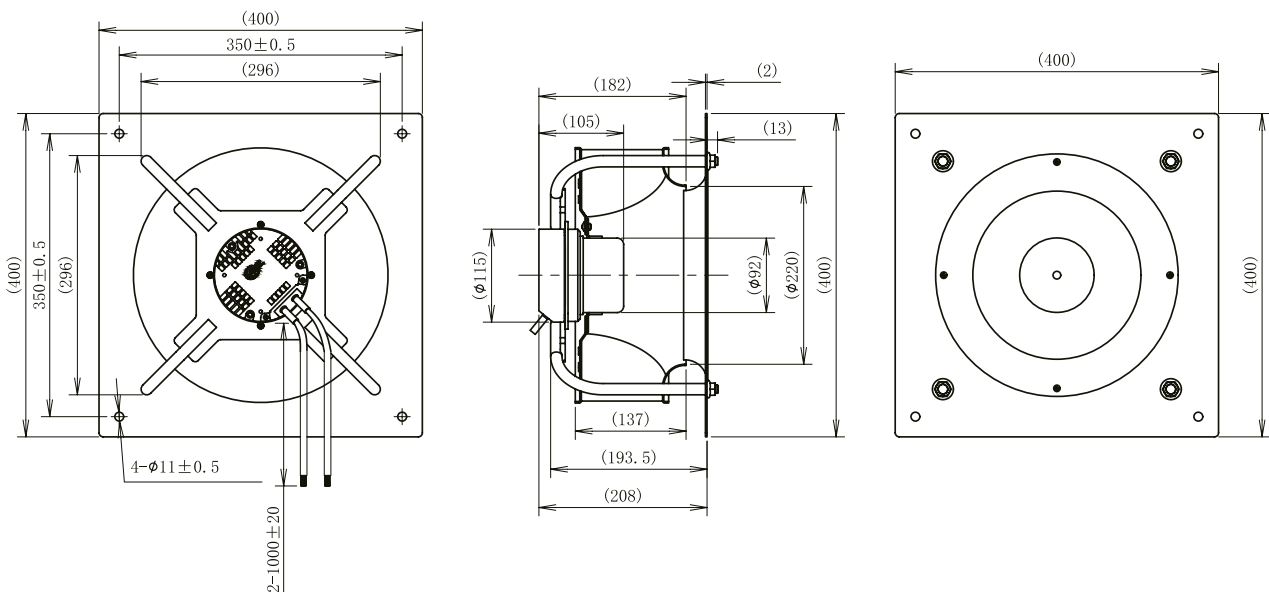
Technical data

Supply	230 VAC
Frequency	50/60 Hz
Current draw	1.3 A
Power input	175 W
Speed	1770 min ⁻¹
Control input	0-10 VDC / PWM
Sound pressure level	73 dB
Degree of protection	IP44
Working temperature	-25 ~ +60 °C
Insulation class	B
Impeller material	sheet aluminium

Air performance

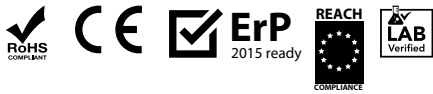


Product drawing



Model No. B3P310-EC102-013

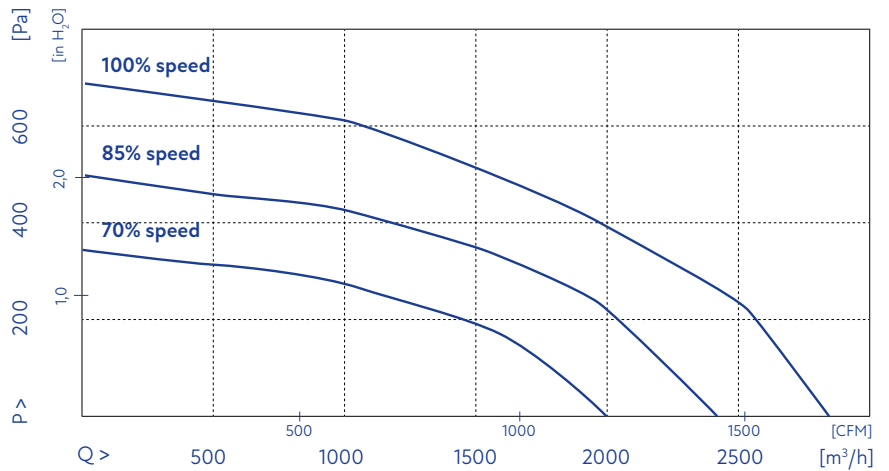
EC Backward Curved Centrifugal Fan+



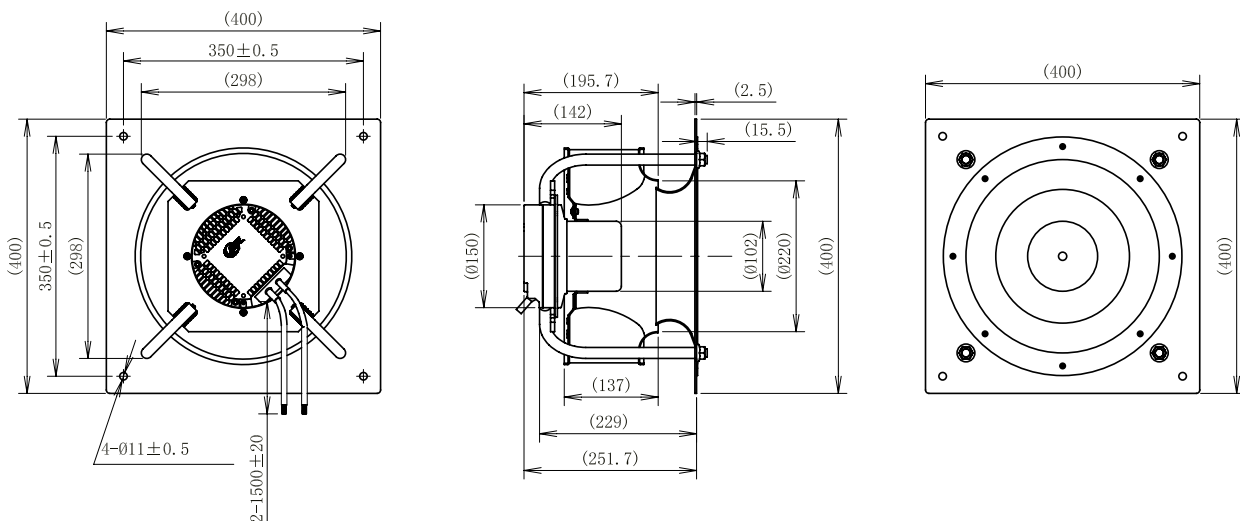
Technical data

Supply	230 VAC
Frequency	50/60 Hz
Current draw	1.45 A
Power input	320 W
Speed	2200 min ⁻¹
Control input	0-10 VDC / PWM
Sound pressure level	68 dB
Degree of protection	IP54
Working temperature	-25 ~ +60 °C
Insulation class	B
Impeller material	sheet aluminium

Air performance

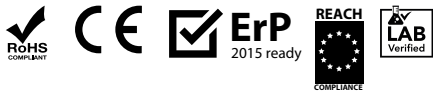


Product drawing



Model No. B3P310-EC137-010

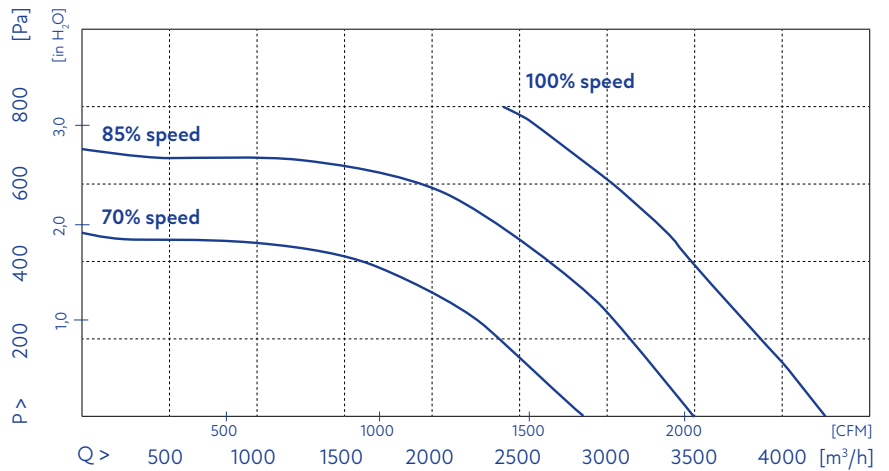
EC Backward Curved Centrifugal Fan+



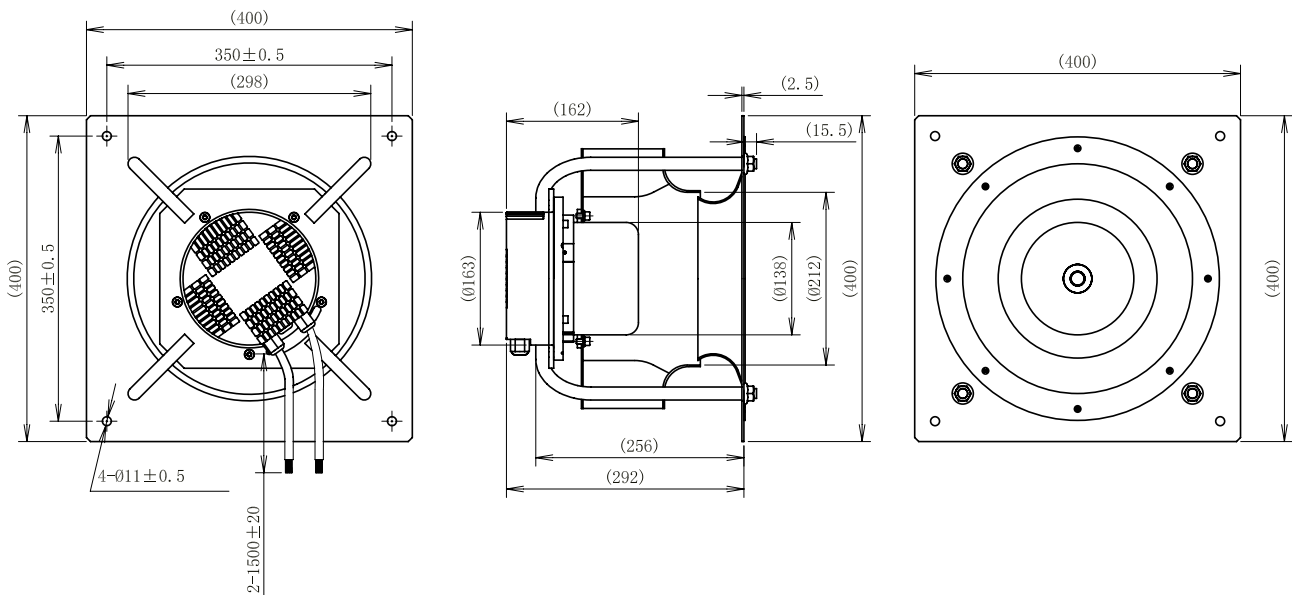
Technical data

Supply	3x400 VAC
Frequency	50/60 Hz
Current draw	1.64 A
Power input	980 W
Speed	2600 min ⁻¹
Control input	0-10 VDC / PWM
Sound pressure level	74 dB
Degree of protection	IP44
Working temperature	-25 ~ +60 °C
Insulation class	F
Impeller material	sheet aluminium

Air performance

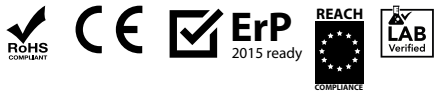


Product drawing



Model No. B3P355-EC102-013

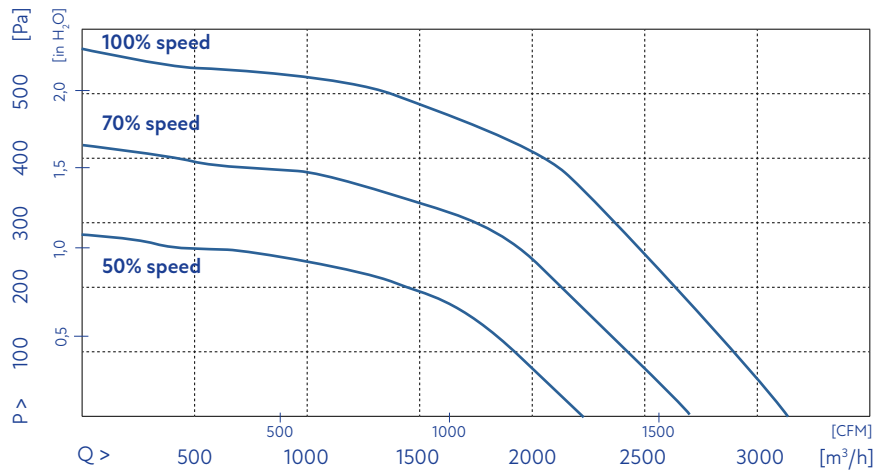
EC Backward Curved Centrifugal Fan+



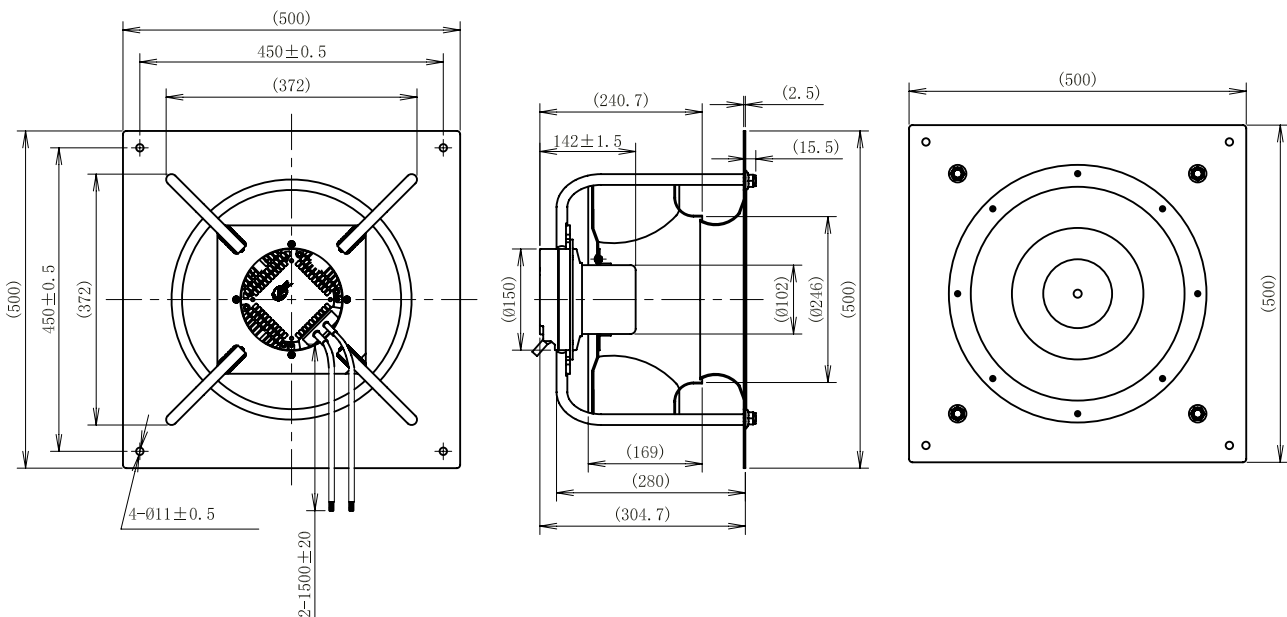
Technical data

Supply	230 VAC
Frequency	50/60 Hz
Current draw	1.4 A
Power input	310 W
Speed	1700 min ⁻¹
Control input	0-10 VDC / PWM
Sound pressure level	73 dB
Degree of protection	IP54
Working temperature	-25 ~ +60 °C
Insulation class	B
Impeller material	sheet aluminium

Air performance

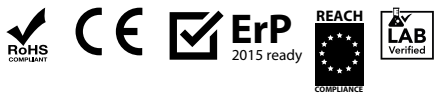


Product drawing



Model No. B3P355-EC137-010

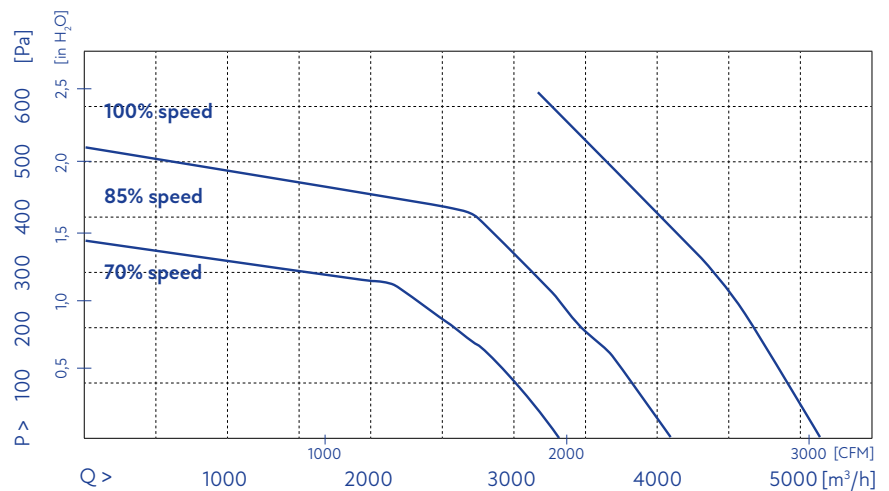
EC Backward Curved Centrifugal Fan+



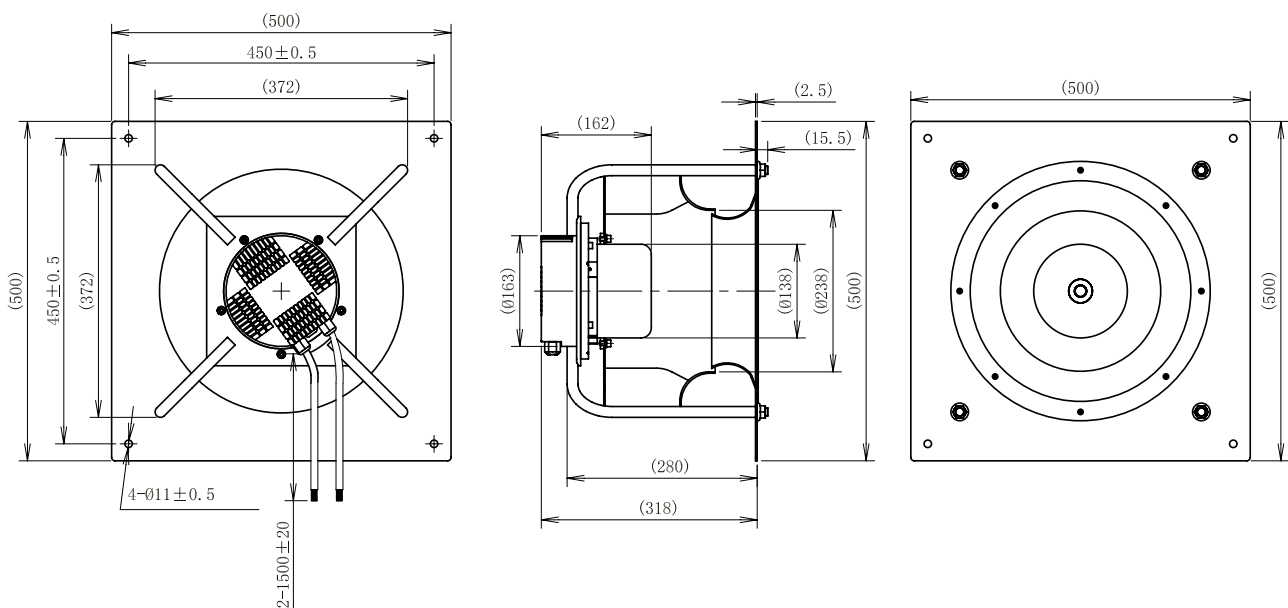
Technical data

Supply	3x400 VAC
Frequency	50/60 Hz
Current draw	1.63 A
Power input	990 W
Speed	2100 min ⁻¹
Control input	0-10 VDC / PWM
Sound pressure level	79 dB
Degree of protection	IP44
Working temperature	-25 ~ +60 °C
Insulation class	F
Impeller material	sheet aluminium

Air performance



Product drawing



Model No. B3P400-EC102-013

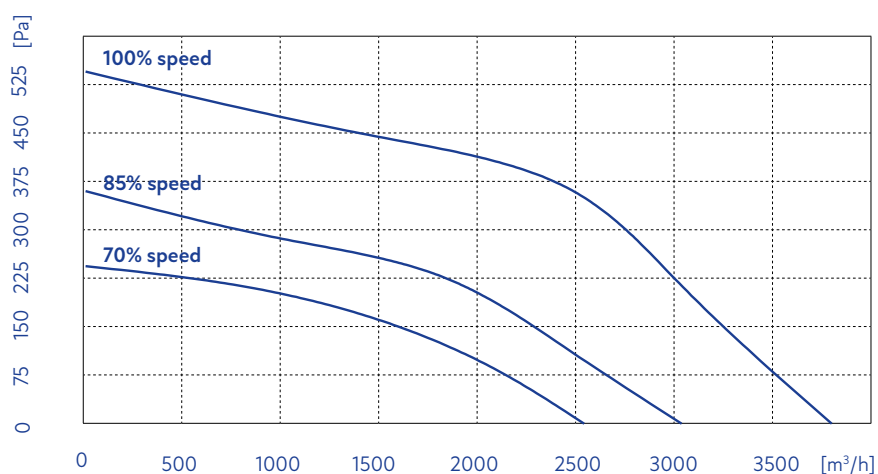
EC Backward Curved Centrifugal Fan+



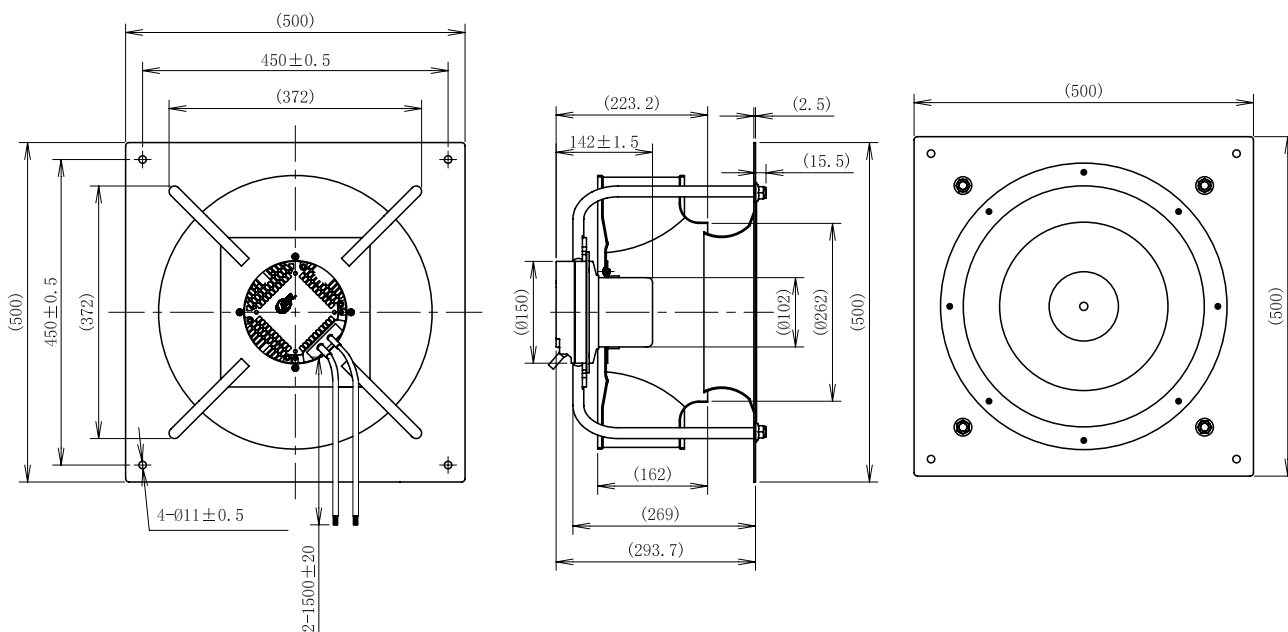
Technical data

Supply	230 VAC
Frequency	50/60 Hz
Current draw	1.5 A
Power input	330 W
Speed	1430 min ⁻¹
Control input	0-10 VDC / PWM
Sound pressure level	75 dB
Degree of protection	IP54
Working temperature	-25 ~ +60 °C
Insulation class	B
Impeller material	sheet aluminium

Air performance

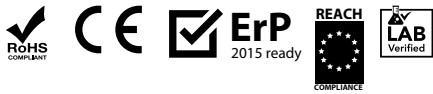


Product drawing



Model No. B3P400-EC137-010

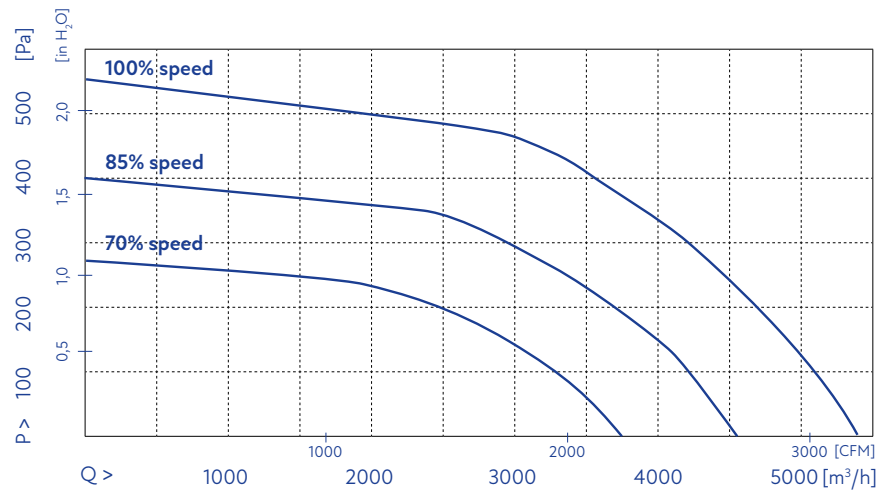
EC Backward Curved Centrifugal Fan+



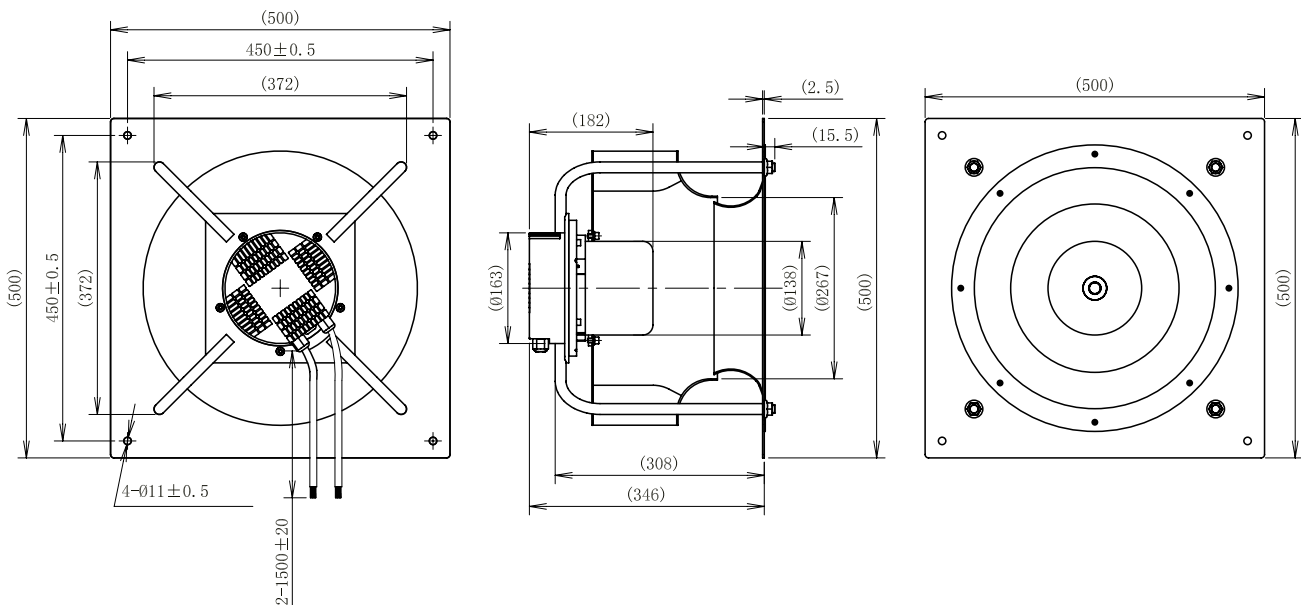
Technical data

Supply	3x400 VAC
Frequency	50/60 Hz
Current draw	1.22 A
Power input	725 W
Speed	1550 min ⁻¹
Control input	0-10 VDC / PWM
Sound pressure level	73 dB
Degree of protection	IP44
Working temperature	-25 ~ +60 °C
Insulation class	F
Impeller material	sheet aluminium

Air performance

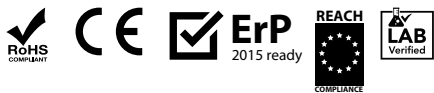


Product drawing



Model No. B3P450-EC137-010

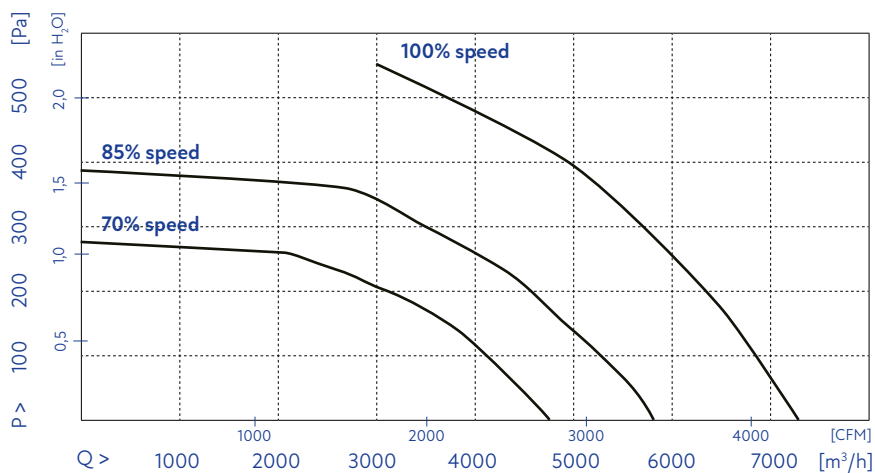
EC Backward Curved Centrifugal Fan+



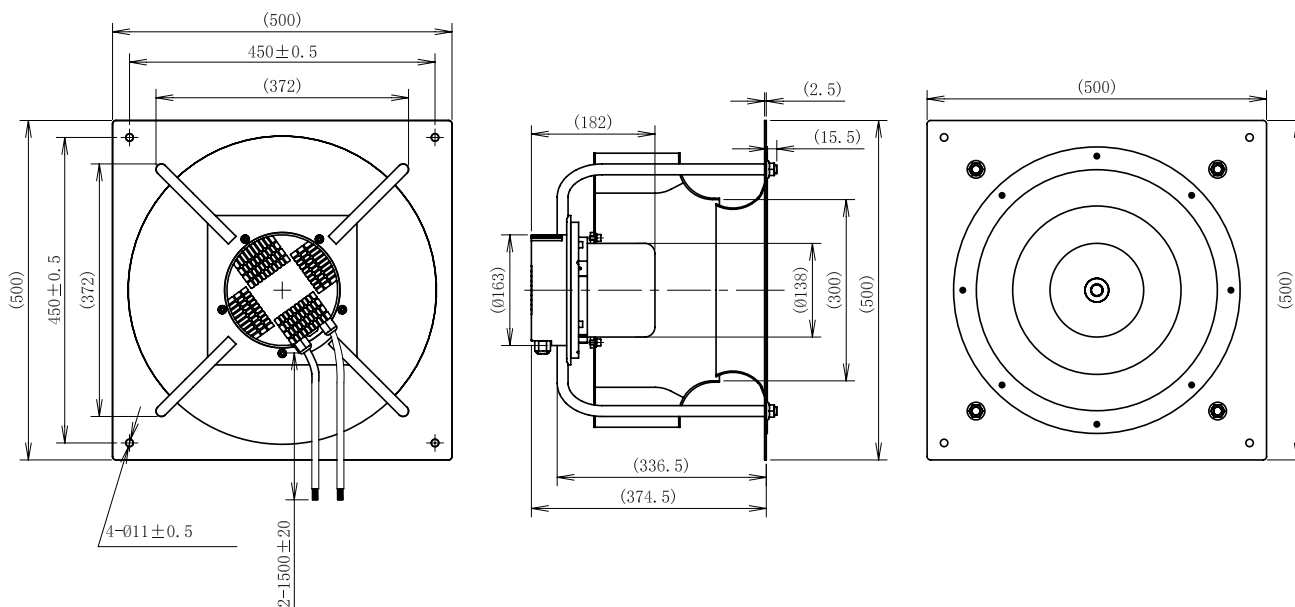
Technical data

Supply	3x400 VAC
Frequency	50/60 Hz
Current draw	1.67 A
Power input	1006 W
Speed	1450 min ⁻¹
Control input	0-10 VDC / PWM
Sound pressure level	73 dB
Degree of protection	IP44
Working temperature	-25 ~ +60 °C
Insulation class	F
Impeller material	sheet aluminium

Air performance

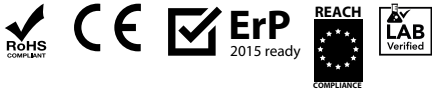


Product drawing



Model No. B3P500-EC137-010

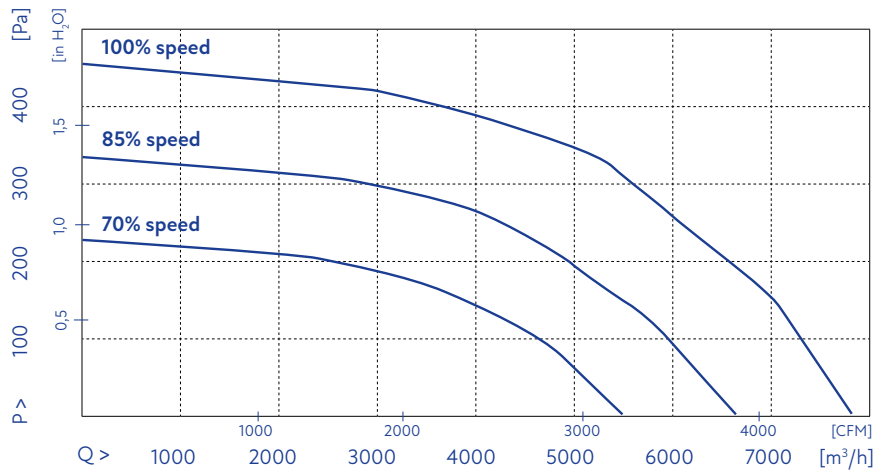
EC Backward Curved Centrifugal Fan+



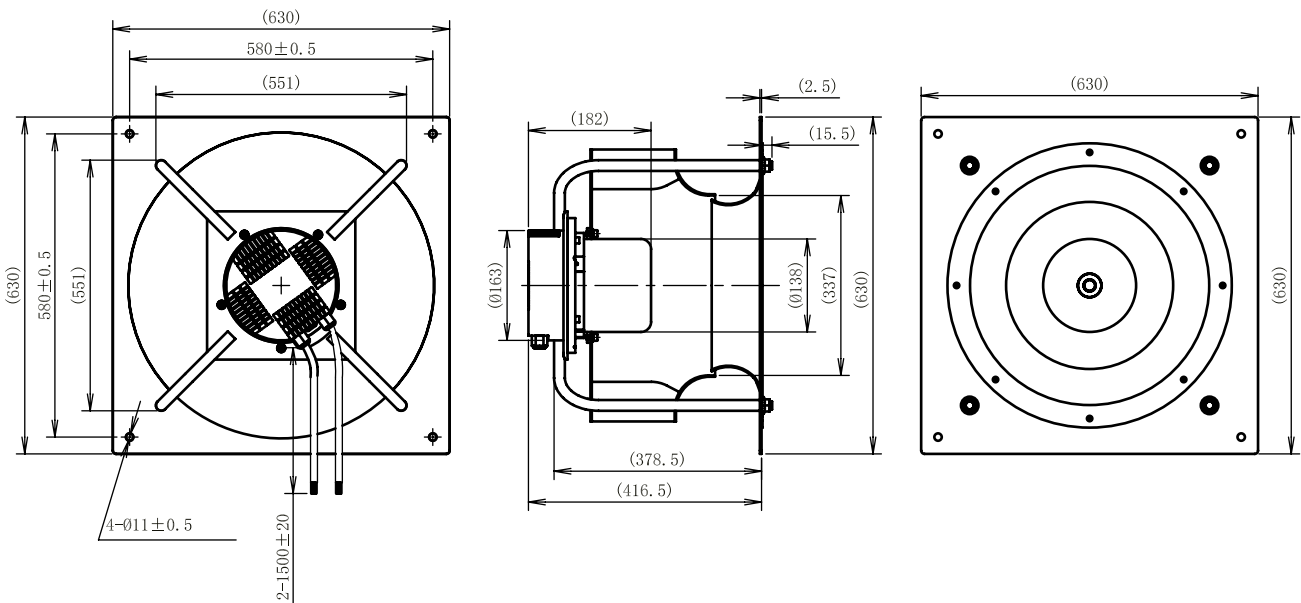
Technical data

Supply	3x400 VAC
Frequency	50/60 Hz
Current draw	1.46 A
Power input	870 W
Speed	1100 min ⁻¹
Control input	0-10 VDC / PWM
Sound pressure level	71 dB
Degree of protection	IP44
Working temperature	-25 ~ +60 °C
Insulation class	F
Impeller material	sheet aluminium

Air performance



Product drawing



Model No. B3P560-EC137-010

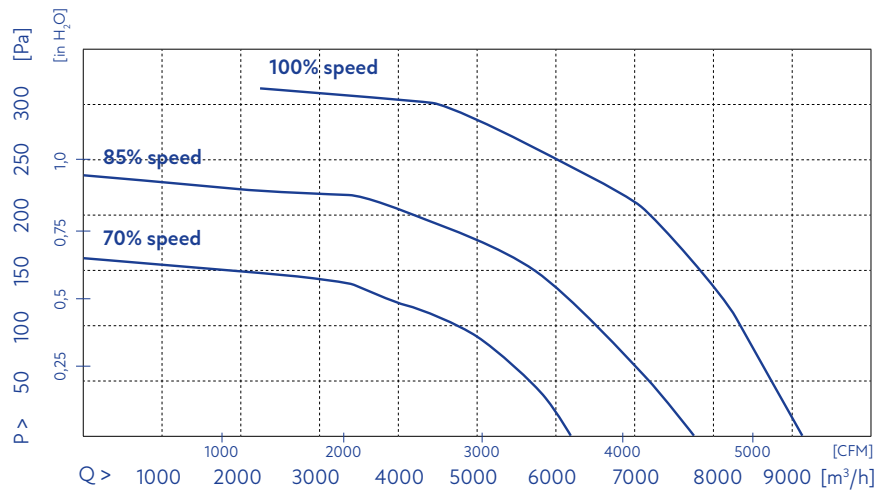
EC Backward Curved Centrifugal Fan+



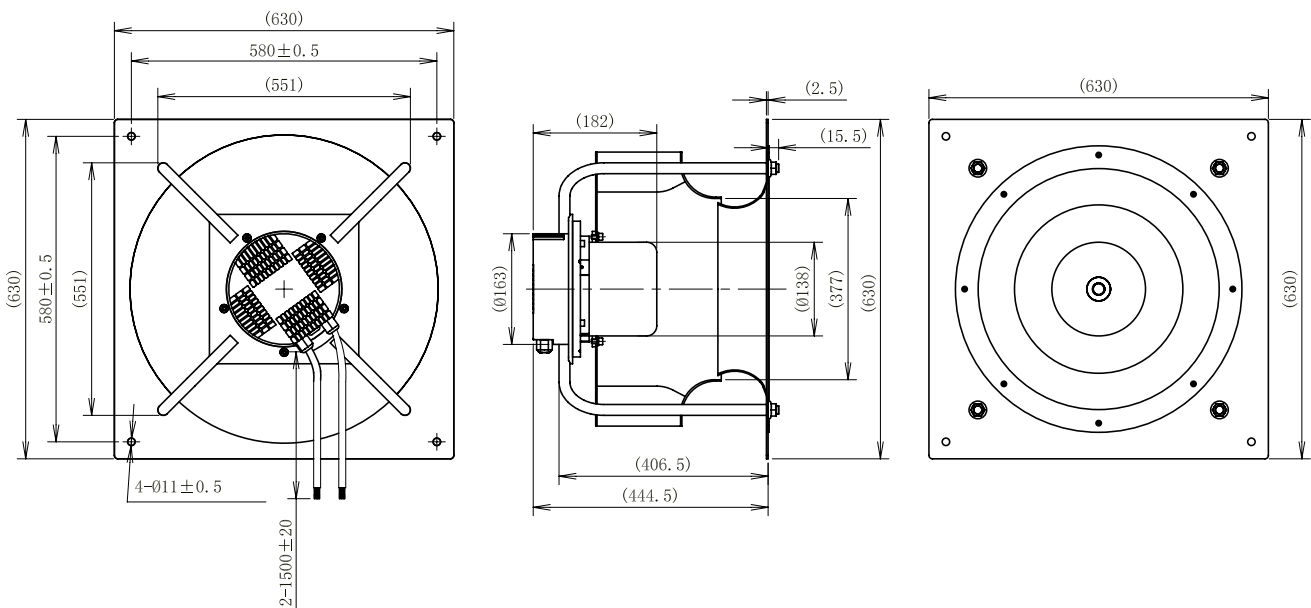
Technical data

Supply	3x400 VAC
Frequency	50/60 Hz
Current draw	1.3 A
Power input	770 W
Speed	850 min ⁻¹
Control input	0-10 VDC / PWM
Sound pressure level	69 dB
Degree of protection	IP44
Working temperature	-25 ~ +60 °C
Insulation class	F
Impeller material	sheet aluminium

Air performance



Product drawing

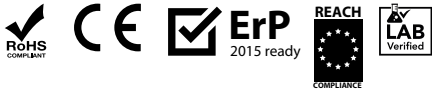




EC Single Inlet Forward Curved Centrifugal Fans

Model No. F3P120-EC072-602

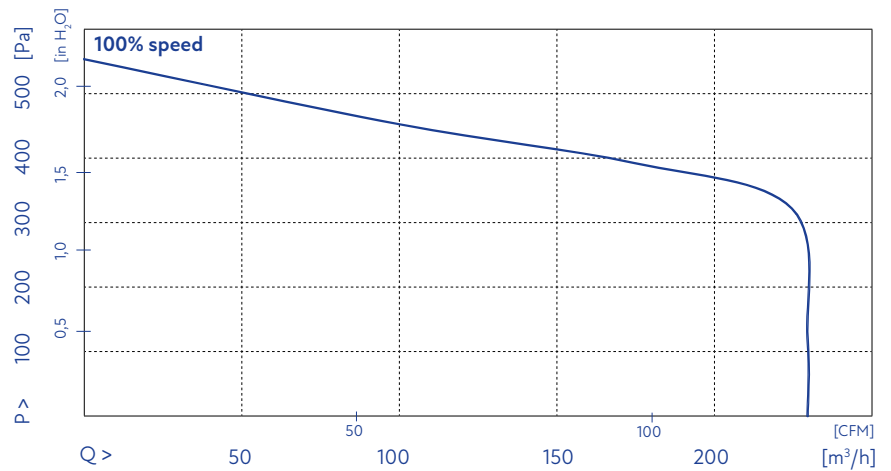
EC Single Inlet Forward Curved Centrifugal Fan



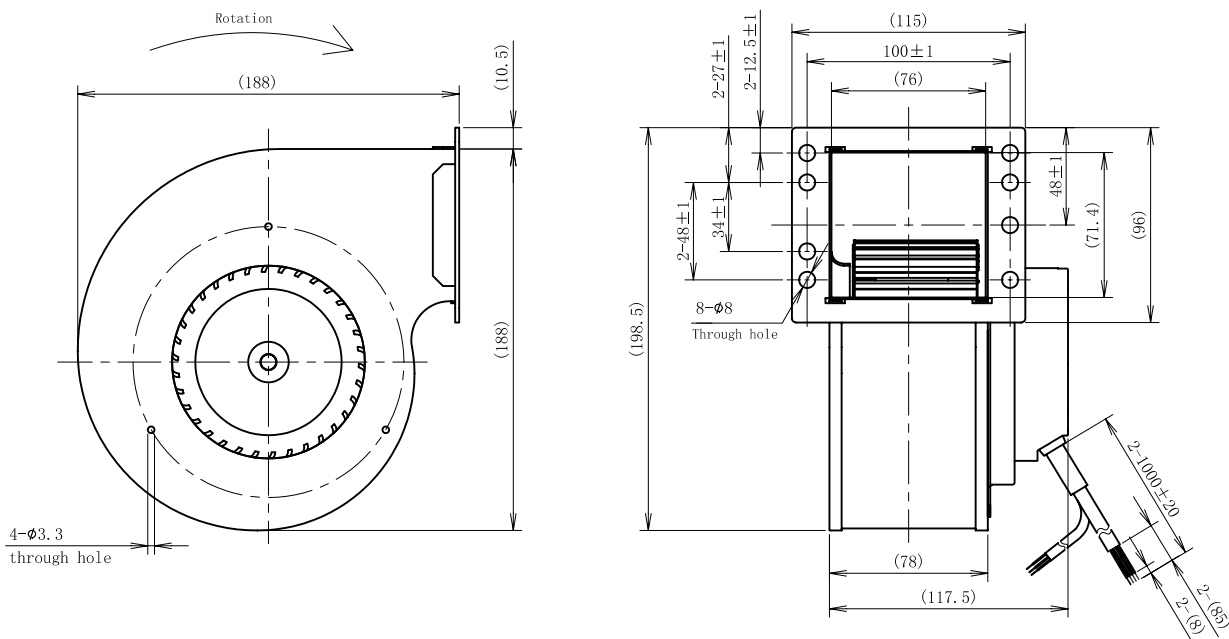
Technical data

Supply	230 VAC
Frequency	50/60 Hz
Current draw	0.24 A
Power input	30 W
Speed	1740 min ⁻¹
Control input	0-10 VDC / PWM
Sound pressure level	57 dB
Degree of protection	IP44
Working temperature	-25 ~ +60 °C
Insulation class	B
Impeller material	PA66

Air performance

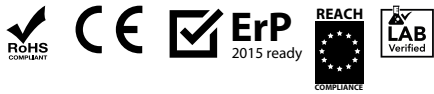


Product drawing



Model No. F3P120-EC072-005

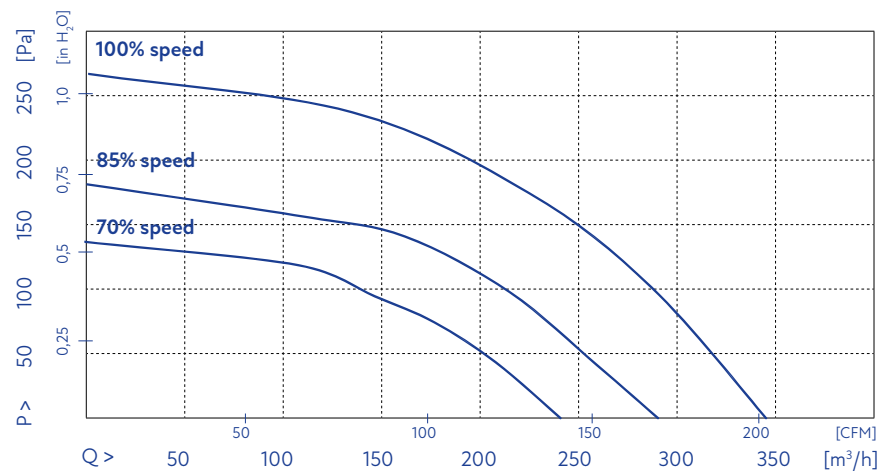
EC Single Inlet Forward Curved Centrifugal Fan



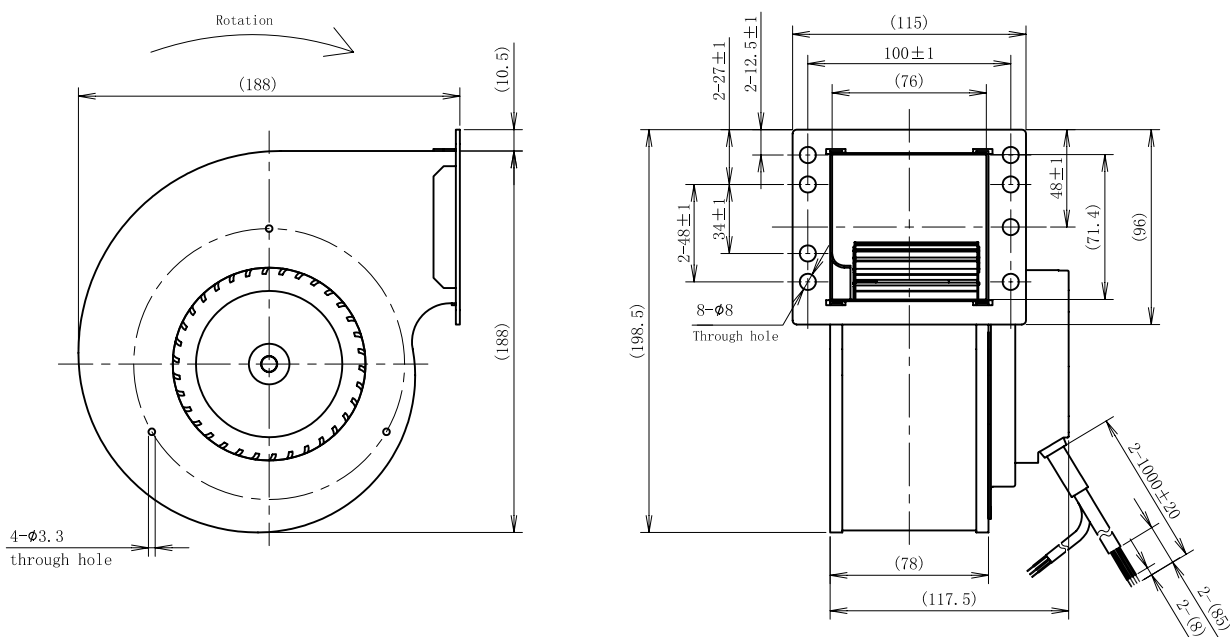
Technical data

Supply	230 VAC
Frequency	50/60 Hz
Current draw	0.5 A
Power input	70 W
Speed	2400 min ⁻¹
Control input	0-10 VDC / PWM
Sound pressure level	65 dB
Degree of protection	IP44
Working temperature	-25 ~ +60 °C
Insulation class	B
Impeller material	PA66

Air performance

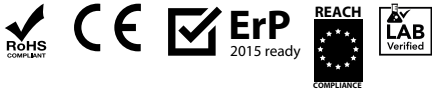


Product drawing



Model No. F3P120-EC072-606

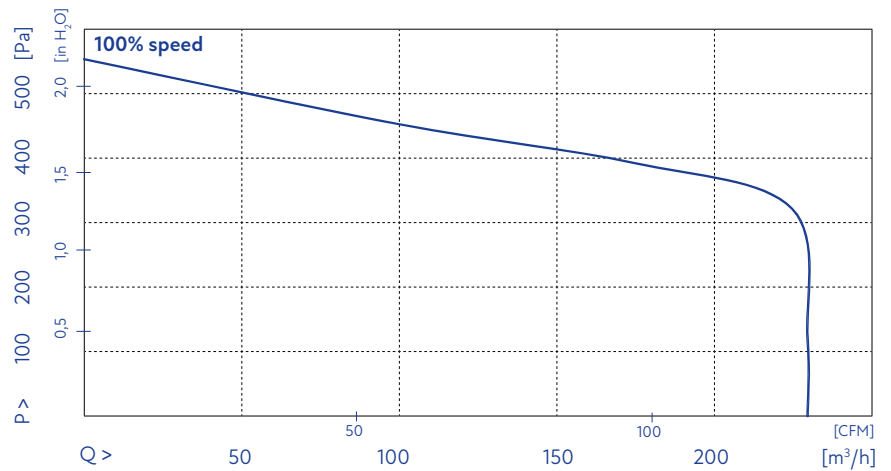
EC Single Inlet Forward Curved Centrifugal Fan



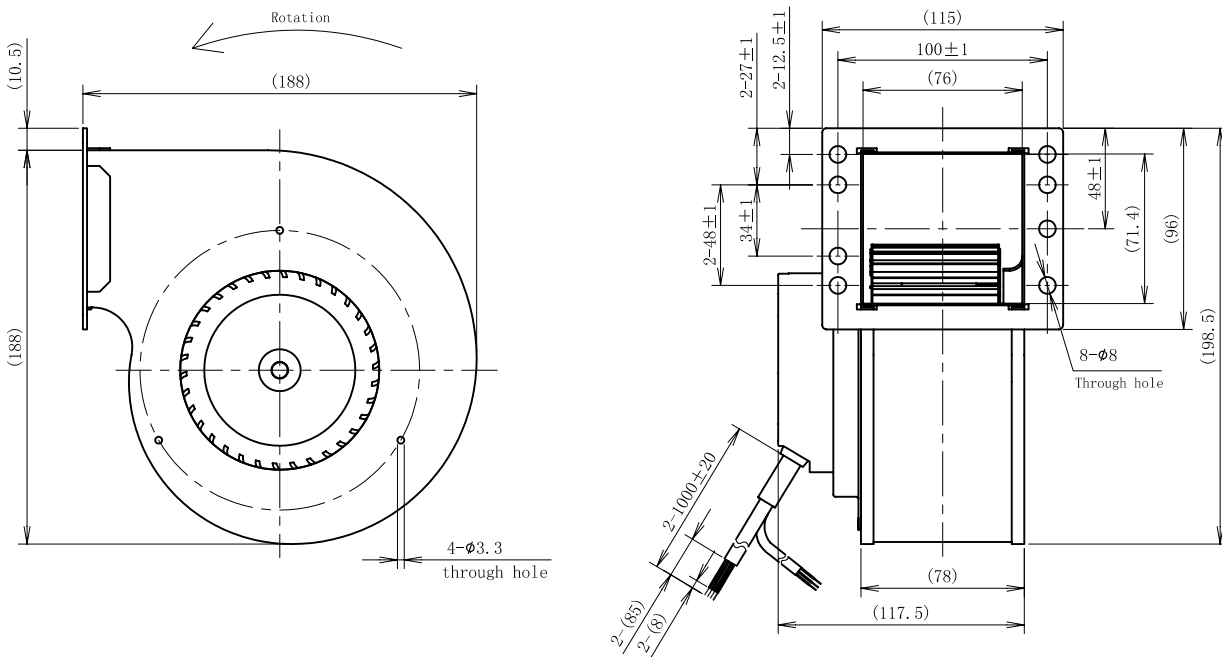
Technical data

Supply	230 VAC
Frequency	50/60 Hz
Current draw	0.24 A
Power input	30 W
Speed	1740 min ⁻¹
Control input	0-10 VDC / PWM
Sound pressure level	57 dB
Degree of protection	IP44
Working temperature	-25 ~ +60 °C
Insulation class	B
Impeller material	PA66

Air performance

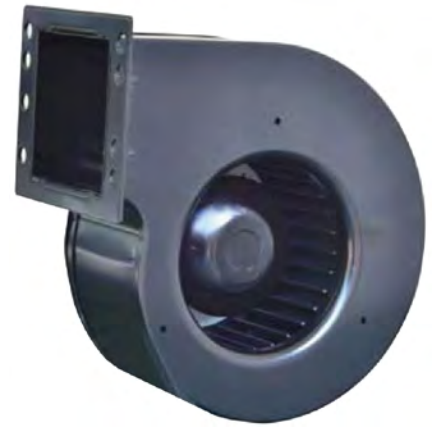


Product drawing



Model No. F3P120-EC072-001

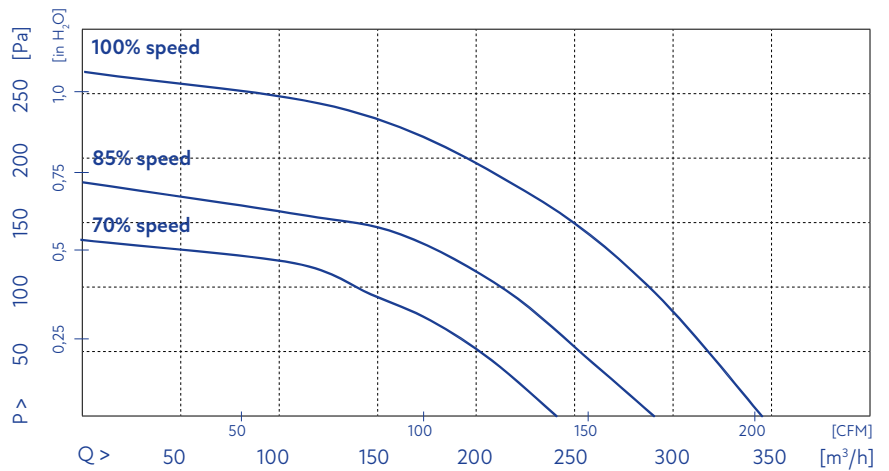
EC Single Inlet Forward Curved Centrifugal Fan



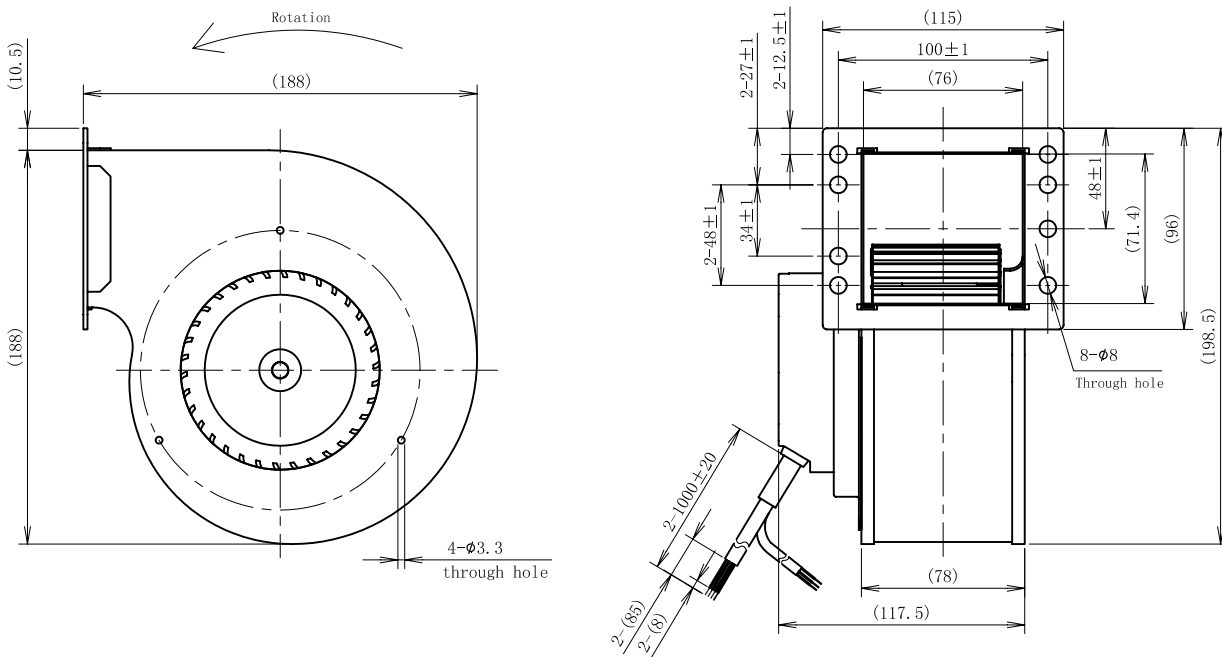
Technical data

Supply	230 VAC
Frequency	50/60 Hz
Current draw	0.5 A
Power input	70 W
Speed	2400 min ⁻¹
Control input	0-10 VDC / PWM
Sound pressure level	65 dB
Degree of protection	IP44
Working temperature	-25 ~ +60 °C
Insulation class	B
Impeller material	PA66

Air performance

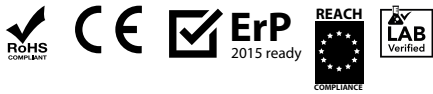


Product drawing



Model No. F3P133-EC072-600

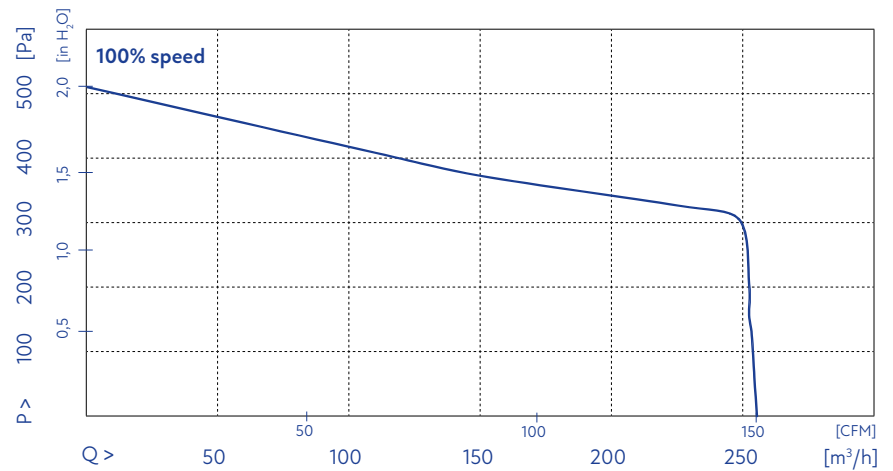
EC Single Inlet Forward Curved Centrifugal Fan



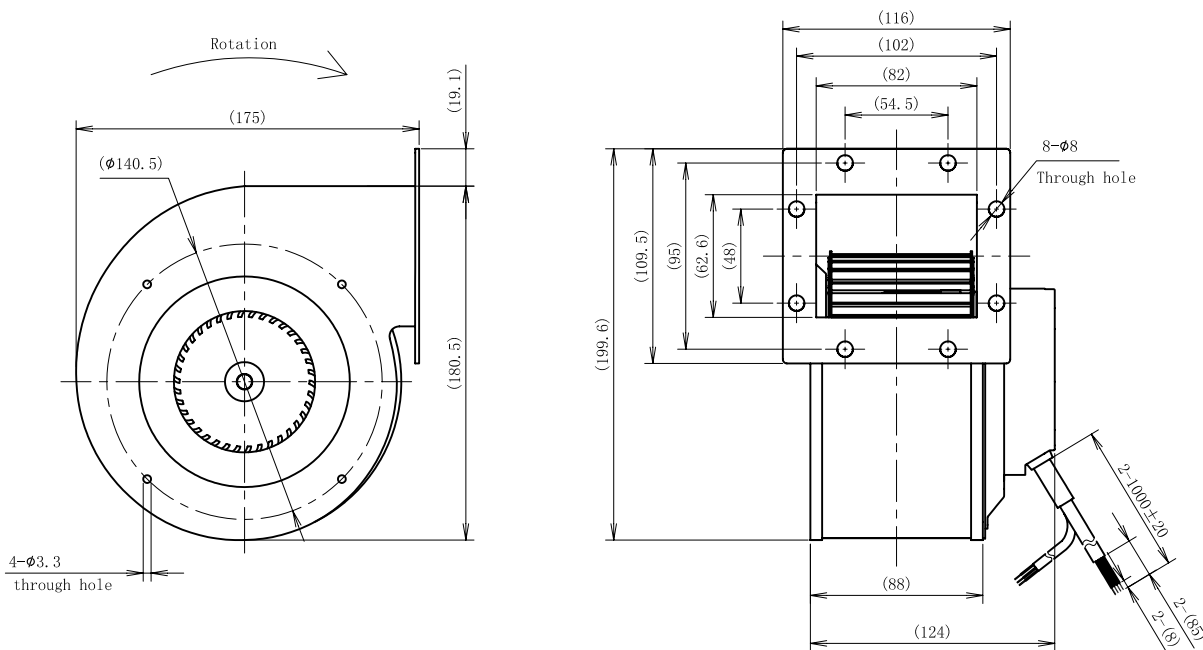
Technical data

Supply	230 VAC
Frequency	50/60 Hz
Current draw	0.24 A
Power input	30 W
Speed	1740 min ⁻¹
Control input	0-10 VDC / PWM
Sound pressure level	56 dB
Degree of protection	IP44
Working temperature	-25 ~ +60 °C
Insulation class	B
Impeller material	PA66

Air performance

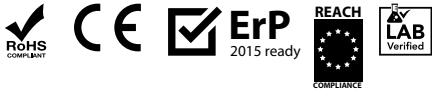
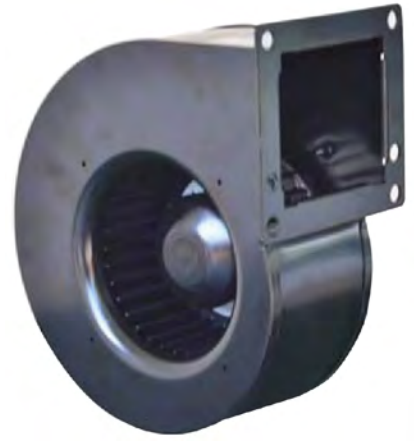


Product drawing



Model No. F3P140-EC072-600

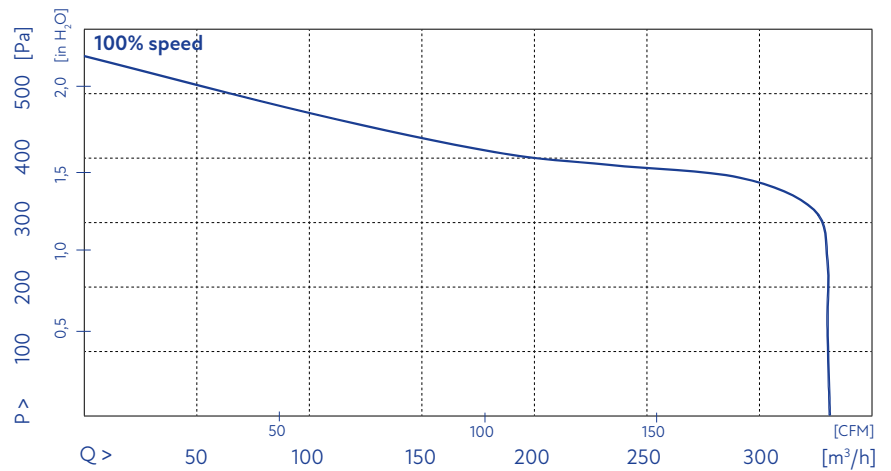
EC Single Inlet Forward Curved Centrifugal Fan



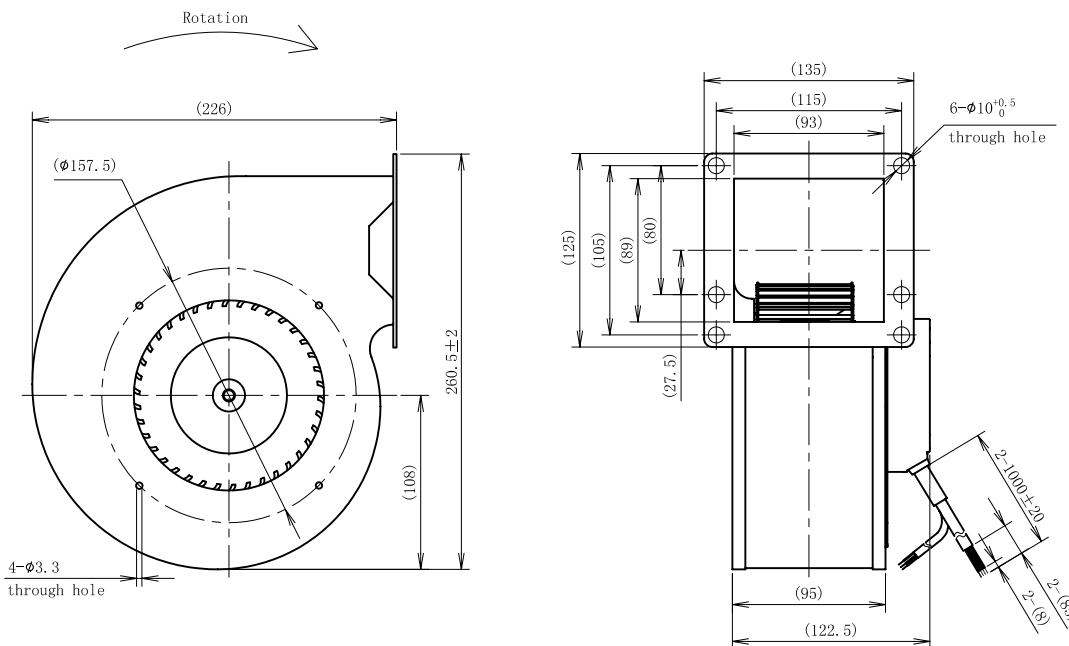
Technical data

Supply	230 VAC
Frequency	50/60 Hz
Current draw	0.3 A
Power input	35 W
Speed	1400 min ⁻¹
Control input	0-10 VDC / PWM
Sound pressure level	56 dB
Degree of protection	IP44
Working temperature	-25 ~ +60 °C
Insulation class	B
Impeller material	PA66

Air performance

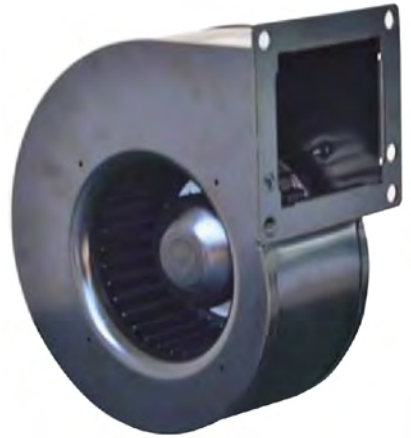


Product drawing



Model No. F3P140-EC072-100

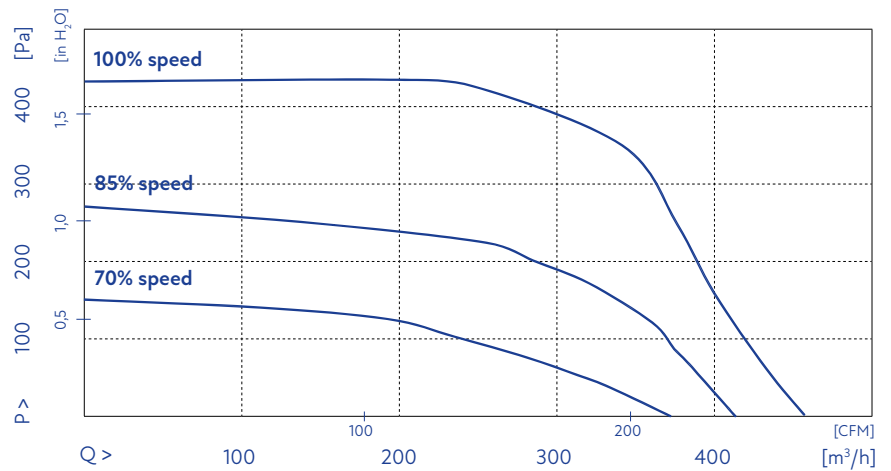
EC Single Inlet Forward Curved Centrifugal Fan



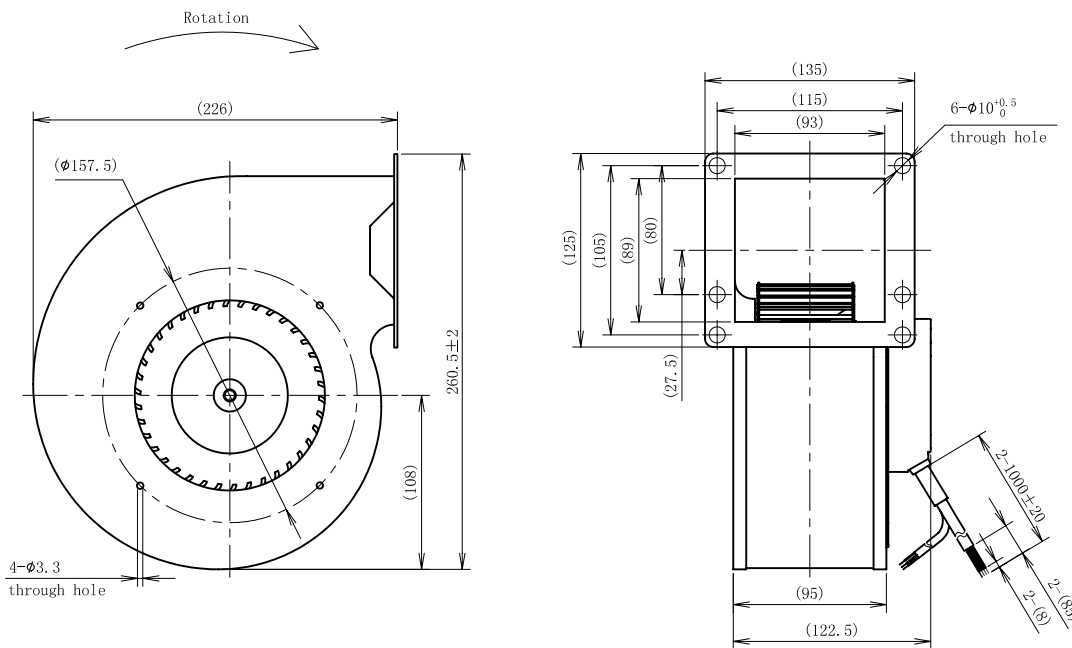
Technical data

Supply	230 VAC
Frequency	50/60 Hz
Current draw	0.6 A
Power input	80 W
Speed	1800 min ⁻¹
Control input	0-10 VDC / PWM
Sound pressure level	62 dB
Degree of protection	IP44
Working temperature	-25 ~ +60 °C
Insulation class	B
Impeller material	PA66

Air performance

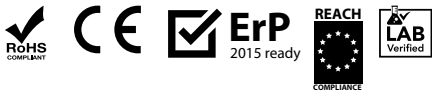
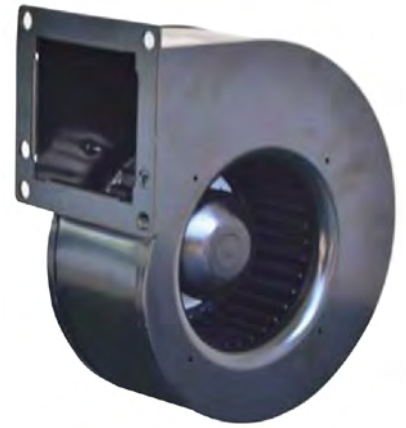


Product drawing



Model No. F3P140-EC072-603

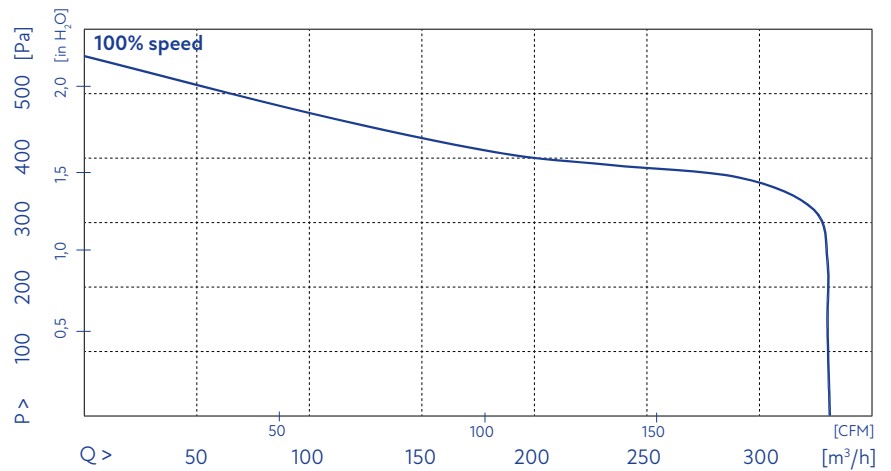
EC Single Inlet Forward Curved Centrifugal Fan



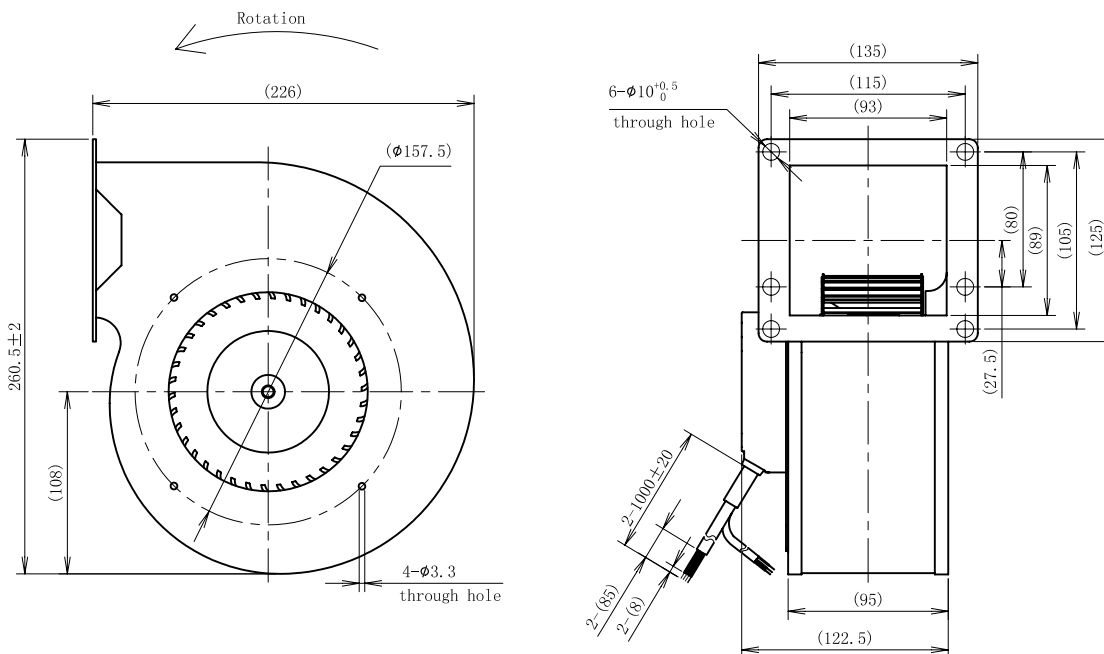
Technical data

Supply	230 VAC
Frequency	50/60 Hz
Current draw	0.3 A
Power input	35 W
Speed	1400 min ⁻¹
Control input	0-10 VDC / PWM
Sound pressure level	56 dB
Degree of protection	IP44
Working temperature	-25 ~ +60 °C
Insulation class	B
Impeller material	PA66

Air performance

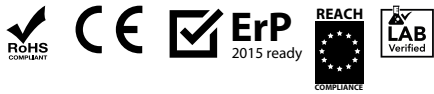
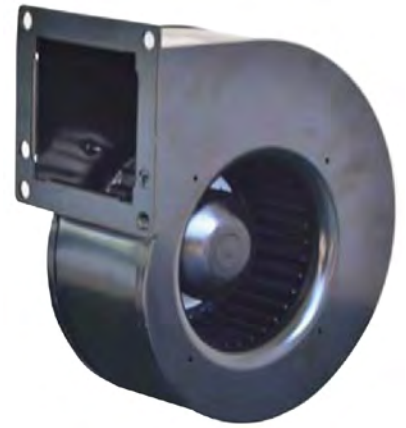


Product drawing



Model No. F3P140-EC072-001

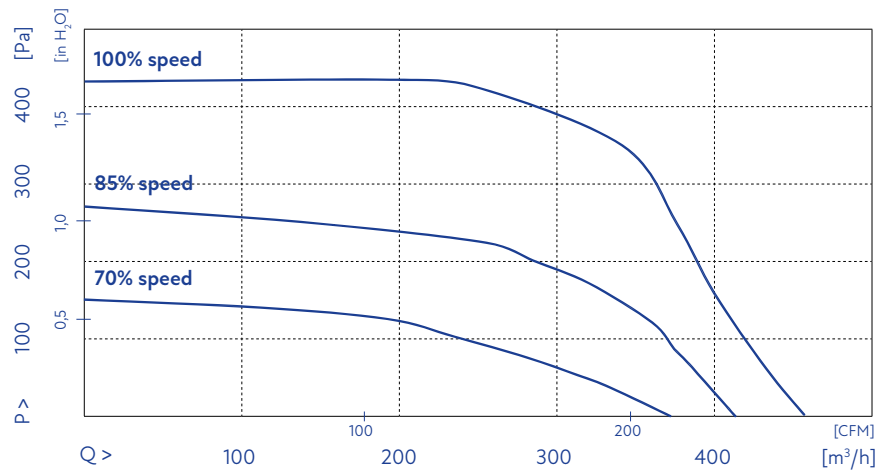
EC Single Inlet Forward Curved Centrifugal Fan



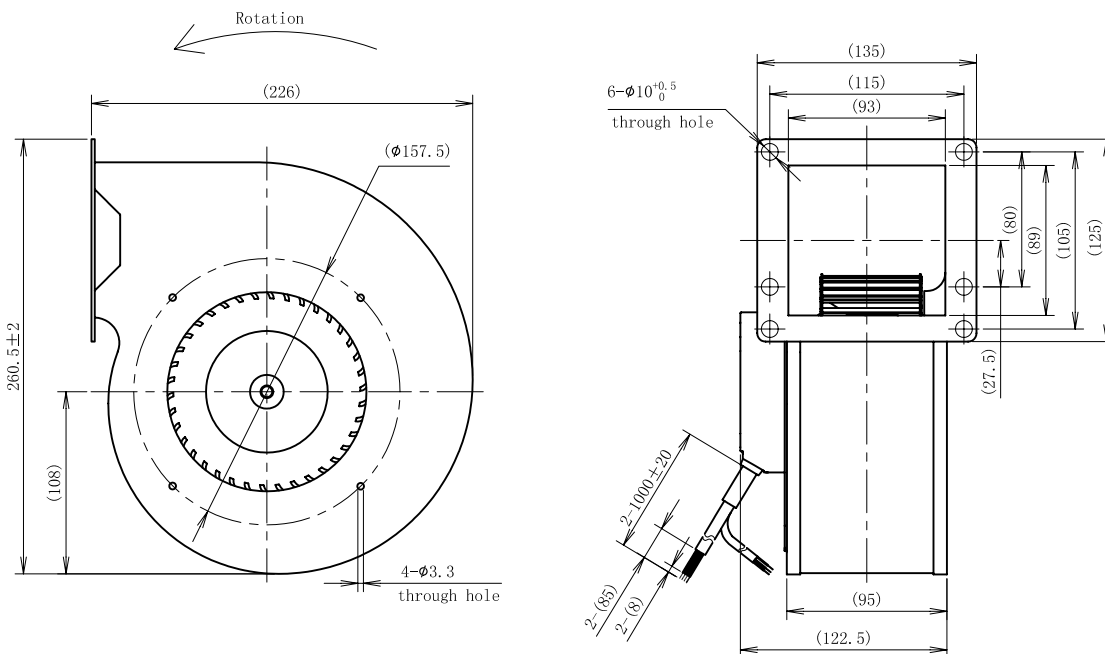
Technical data

Supply	230 VAC
Frequency	50/60 Hz
Current draw	0.6 A
Power input	80 W
Speed	1800 min ⁻¹
Control input	0-10 VDC / PWM
Sound pressure level	62 dB
Degree of protection	IP44
Working temperature	-25 ~ +60 °C
Insulation class	B
Impeller material	PA66

Air performance



Product drawing



Model No. F3P146-EC072-600

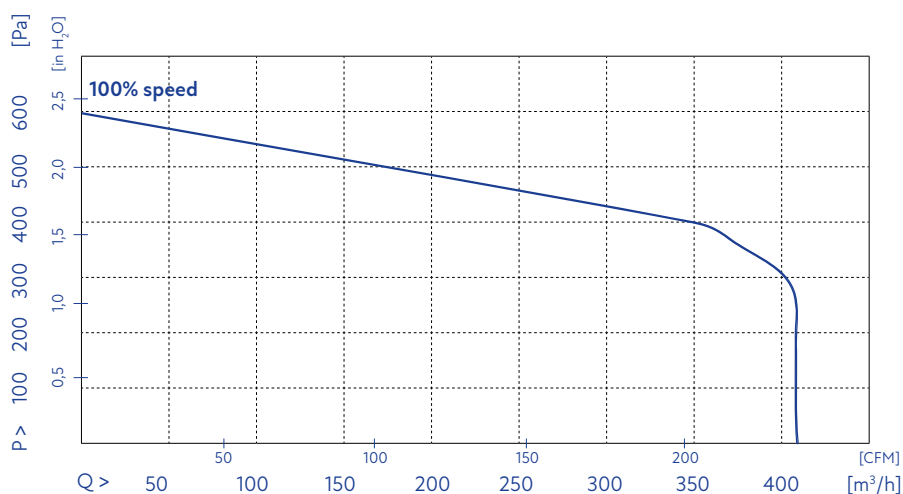
EC Single Inlet Forward Curved Centrifugal Fan



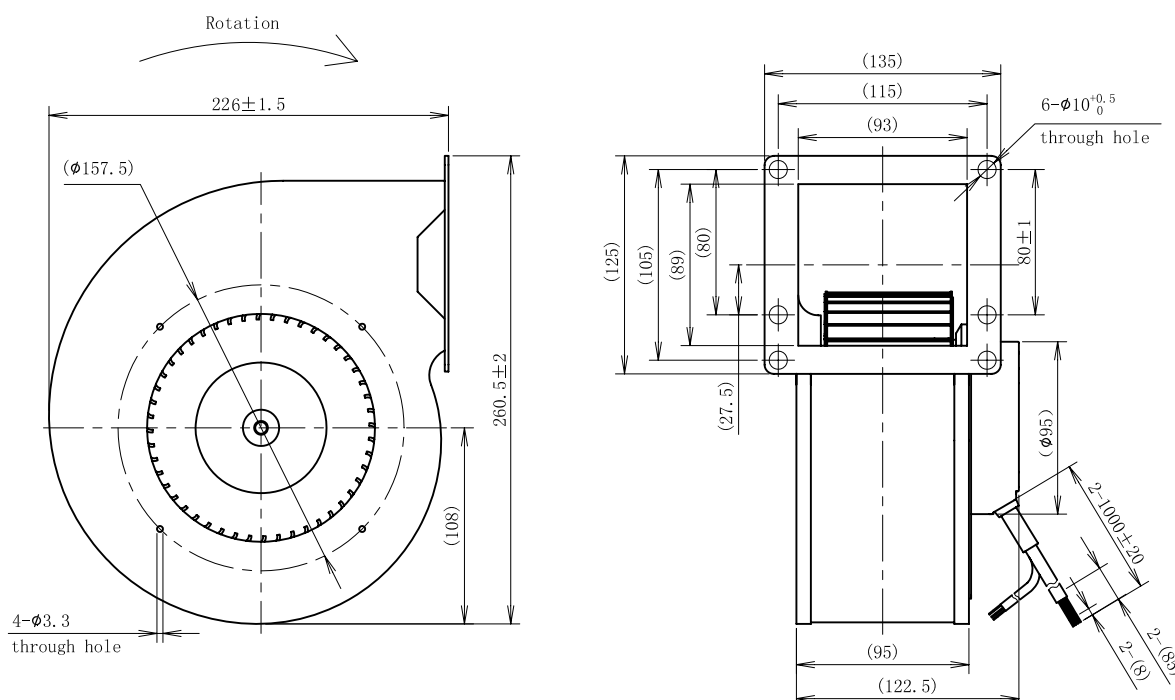
Technical data

Supply	230 VAC
Frequency	50/60 Hz
Current draw	0.43 A
Power input	55 W
Speed	1430 min ⁻¹
Control input	0-10 VDC / PWM
Sound pressure level	52 dB
Degree of protection	IP44
Working temperature	-25 ~ +60 °C
Insulation class	B
Impeller material	galvanized sheet steel

Air performance



Product drawing



Model No. F3P150-EC092-600

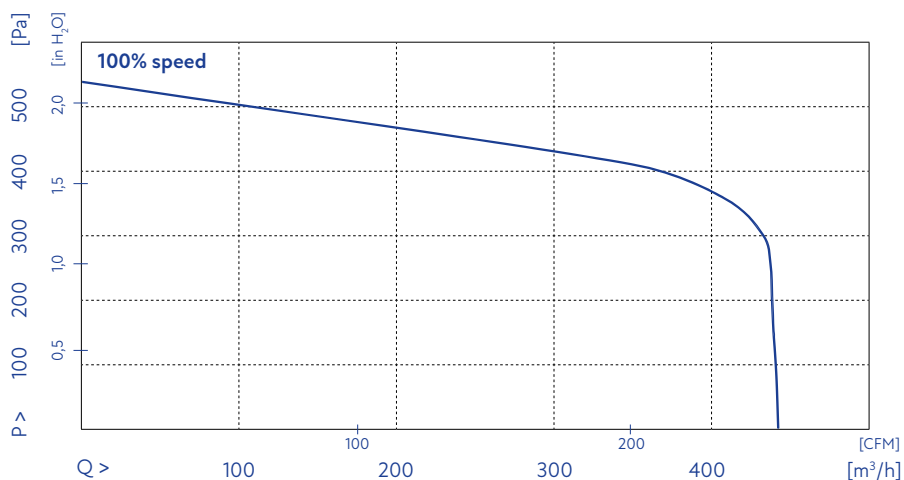
EC Single Inlet Forward Curved Centrifugal Fan



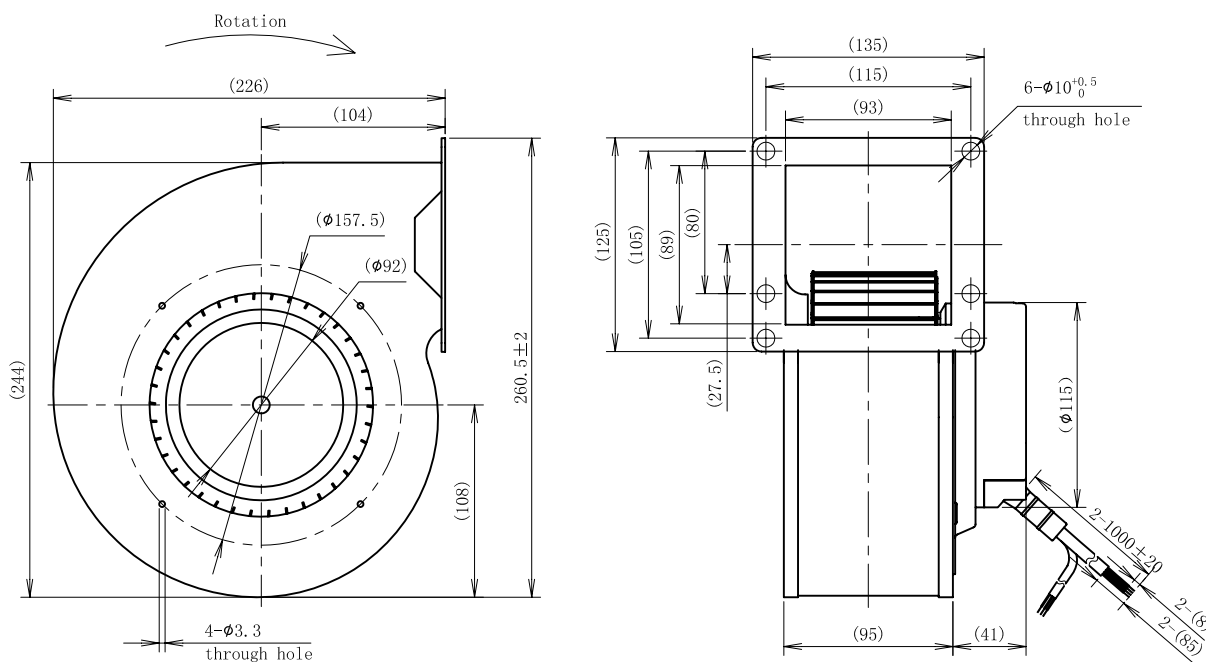
Technical data

Supply	230 VAC
Frequency	50/60 Hz
Current draw	0.64 A
Power input	90 W
Speed	2150 min ⁻¹
Control input	0-10 VDC / PWM
Sound pressure level	67 dB
Degree of protection	IP44
Working temperature	-25 ~ +60 °C
Insulation class	B
Impeller material	galvanised sheet steel

Air performance

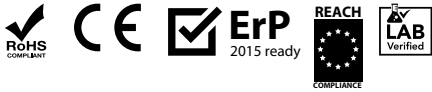


Product drawing



Model No. F3P150-EC092-000

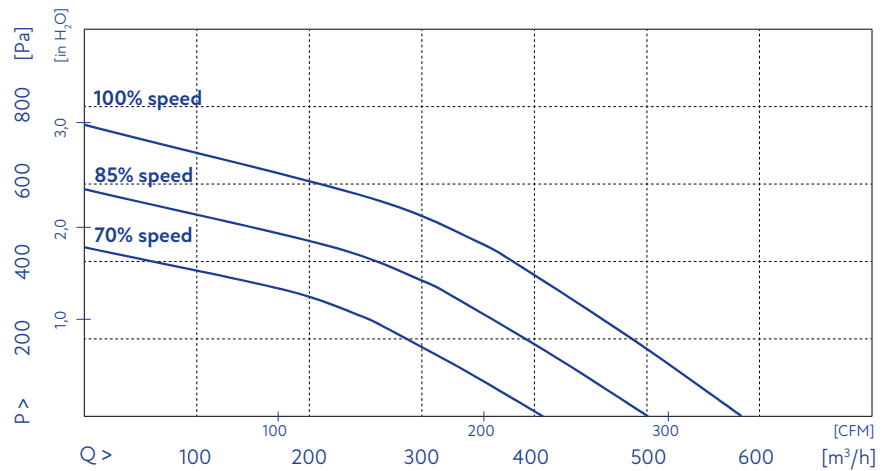
EC Single Inlet Forward Curved Centrifugal Fan



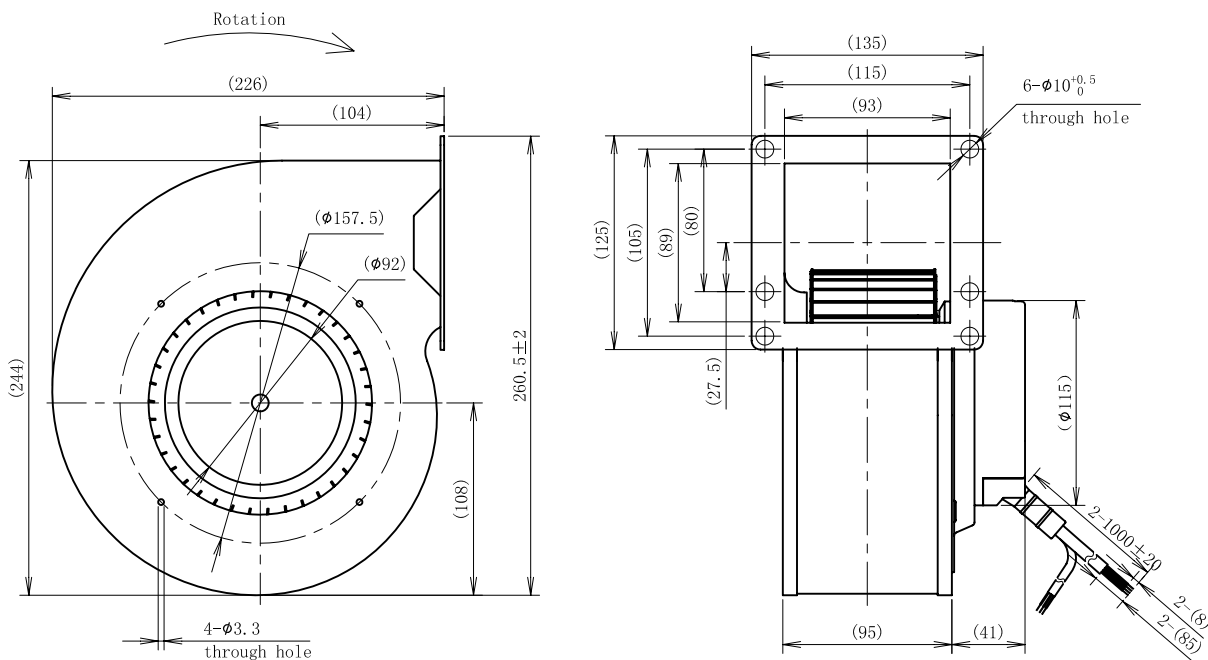
Technical data

Supply	230 VAC
Frequency	50/60 Hz
Current draw	1.3 A
Power input	170 W
Speed	2550 min ⁻¹
Control input	0-10 VDC / PWM
Sound pressure level	69 dB
Degree of protection	IP44
Working temperature	-25 ~ +60 °C
Insulation class	B
Impeller material	galvanised sheet steel

Air performance



Product drawing



Model No. F3P160-EC072-100

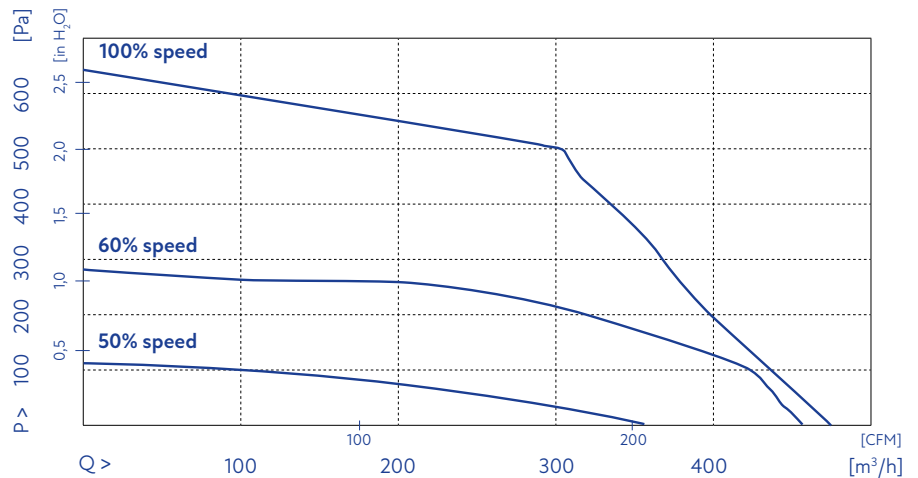
EC Single Inlet Forward Curved Centrifugal Fan



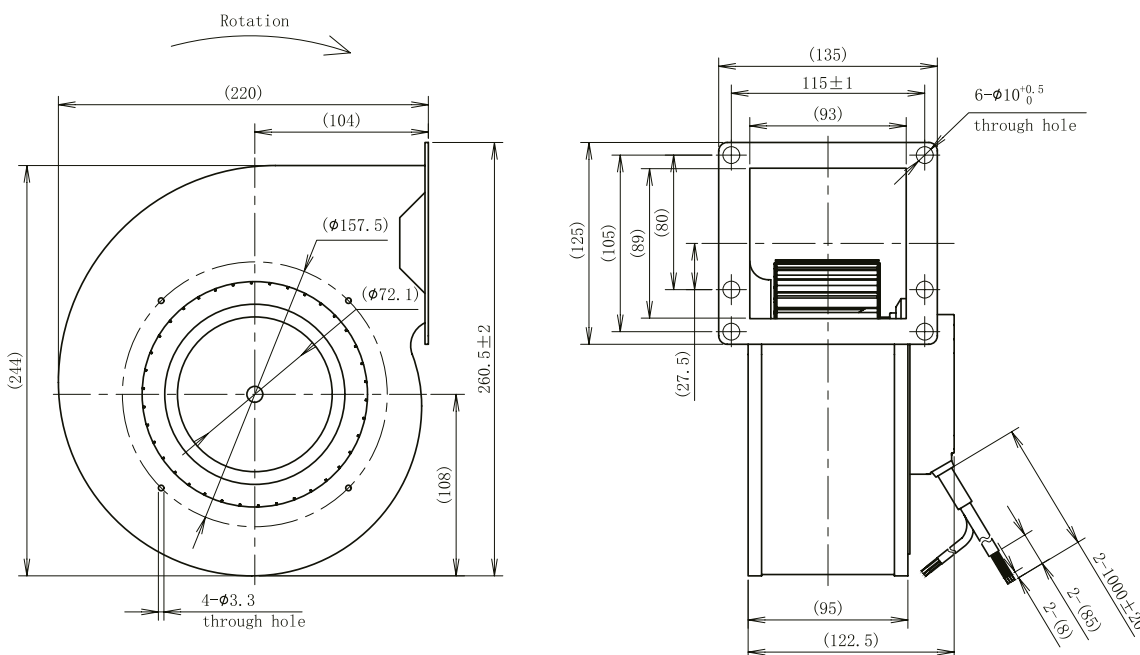
Technical data

Supply	230 VAC
Frequency	50/60 Hz
Current draw	0.6 A
Power input	80 W
Speed	1600 min ⁻¹
Control input	0-10 VDC / PWM
Sound pressure level	61 dB
Degree of protection	IP44
Working temperature	-25 ~ +60 °C
Insulation class	B
Impeller material	PA66

Air performance

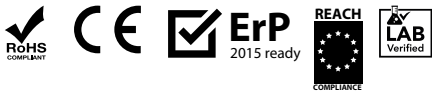


Product drawing



Model No. F3P160-EC092-600

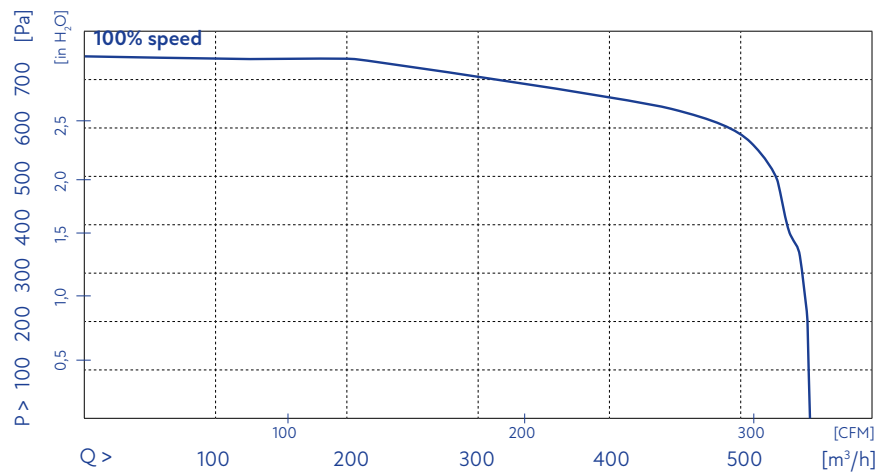
EC Single Inlet Forward Curved Centrifugal Fan



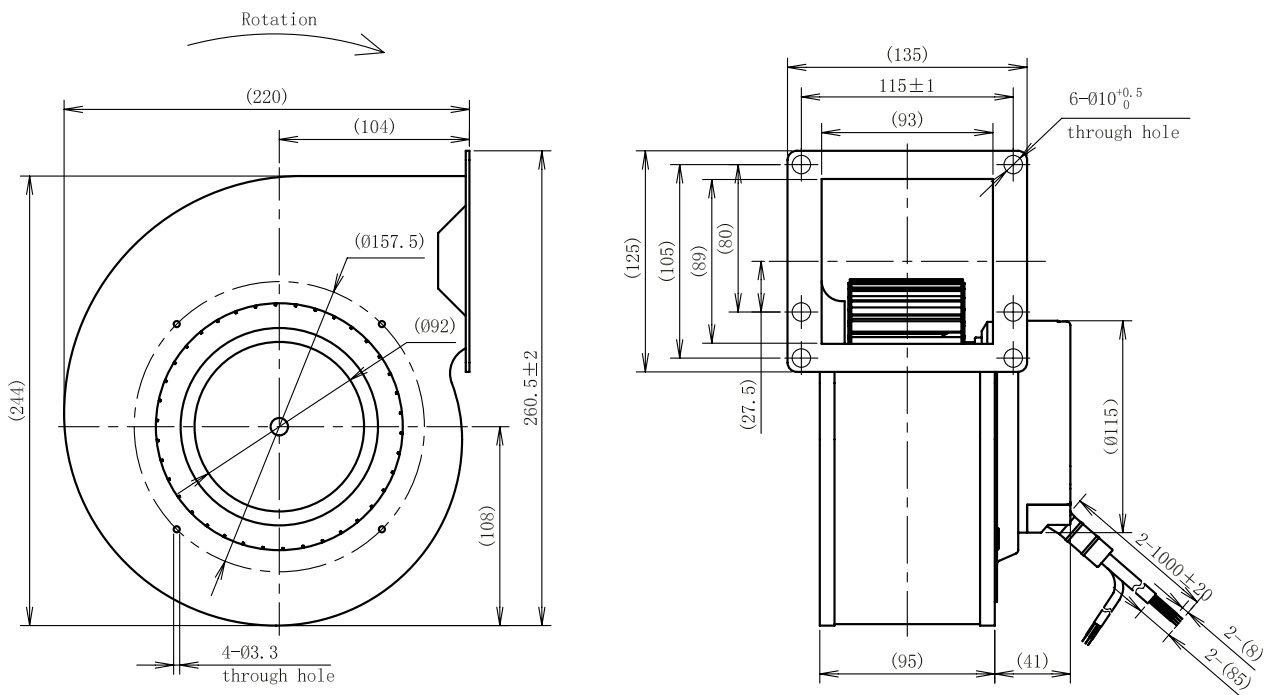
Technical data

Supply	230 VAC
Frequency	50/60 Hz
Current draw	0.85 A
Power input	110 W
Speed	1900 min ⁻¹
Control input	0-10 VDC / PWM
Sound pressure level	67 dB
Degree of protection	IP44
Working temperature	-25 ~ +60 °C
Insulation class	B
Impeller material	PA66

Air performance



Product drawing



Model No. F3P160-EC092-100

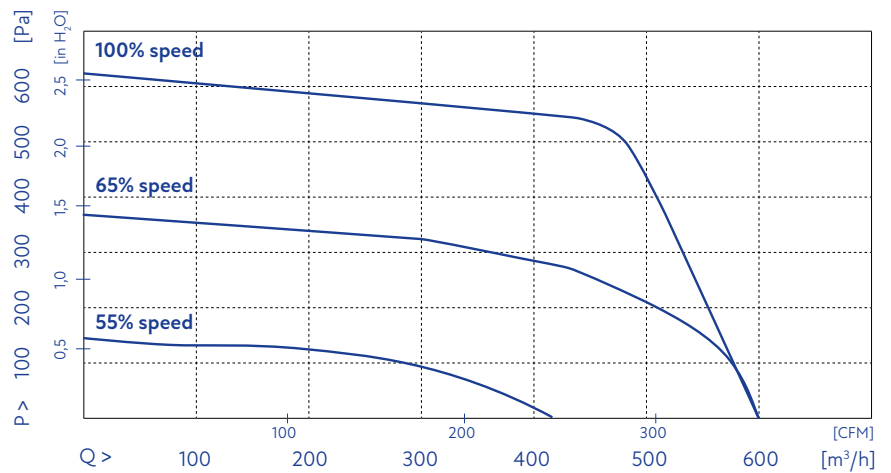
EC Single Inlet Forward Curved Centrifugal Fan



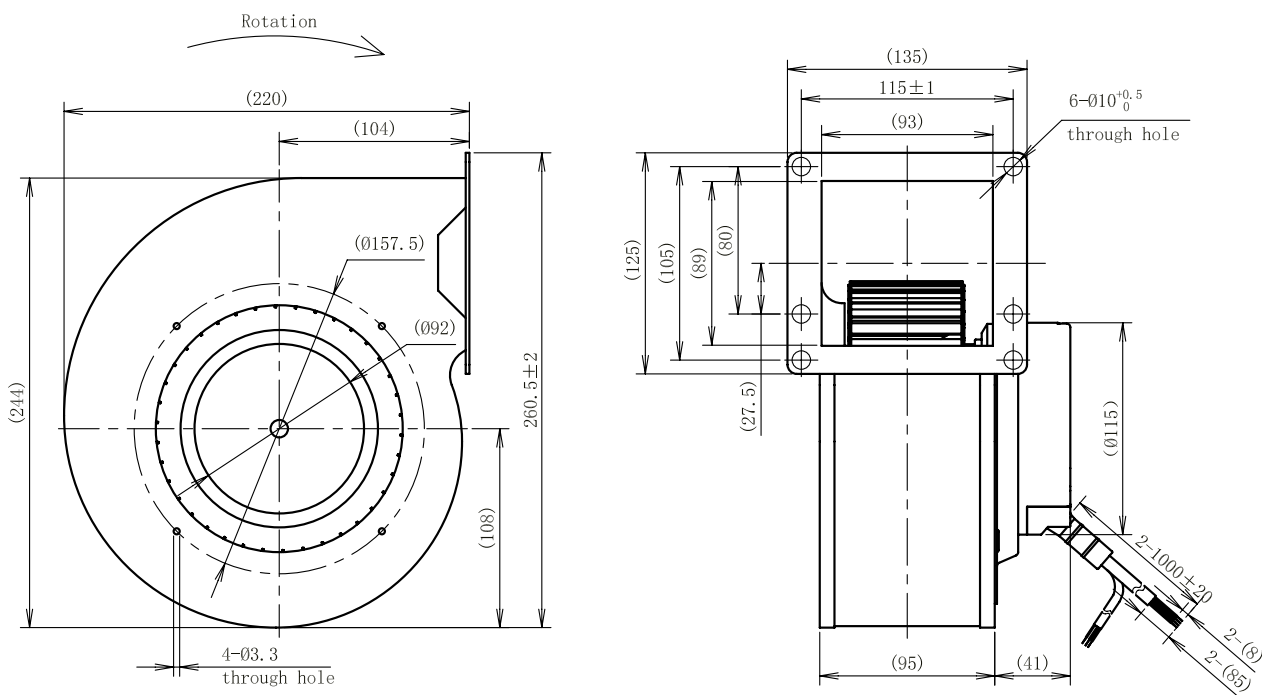
Technical data

Supply	230 VAC
Frequency	50/60 Hz
Current draw	1.0 A
Power input	150 W
Speed	2150 min ⁻¹
Control input	0-10 VDC / PWM
Sound pressure level	69 dB
Degree of protection	IP44
Working temperature	-25 ~ +60 °C
Insulation class	B
Impeller material	PA66

Air performance

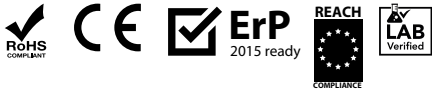
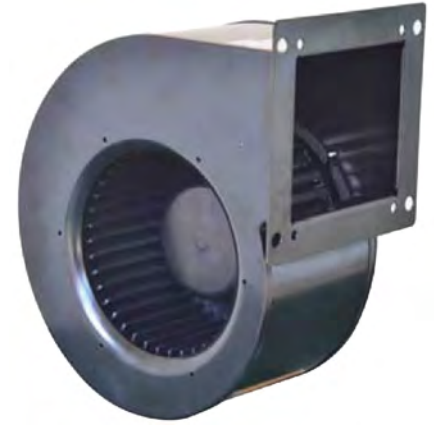


Product drawing



Model No. F3P180-EC092-600

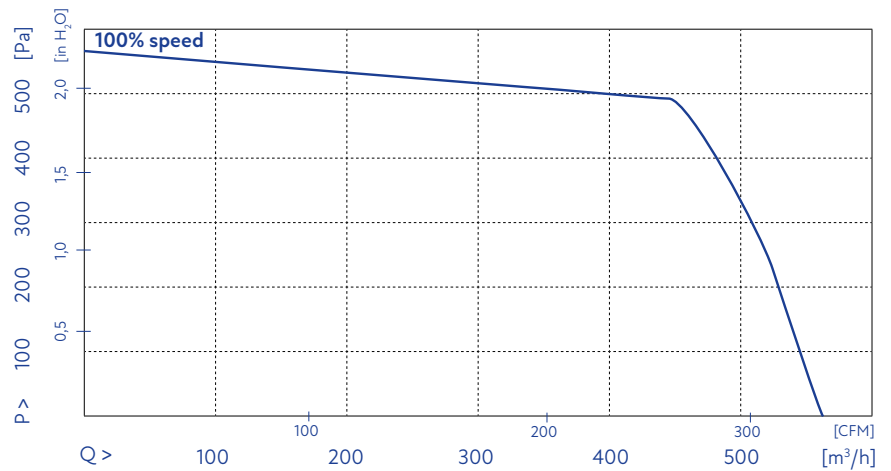
EC Single Inlet Forward Curved Centrifugal Fan



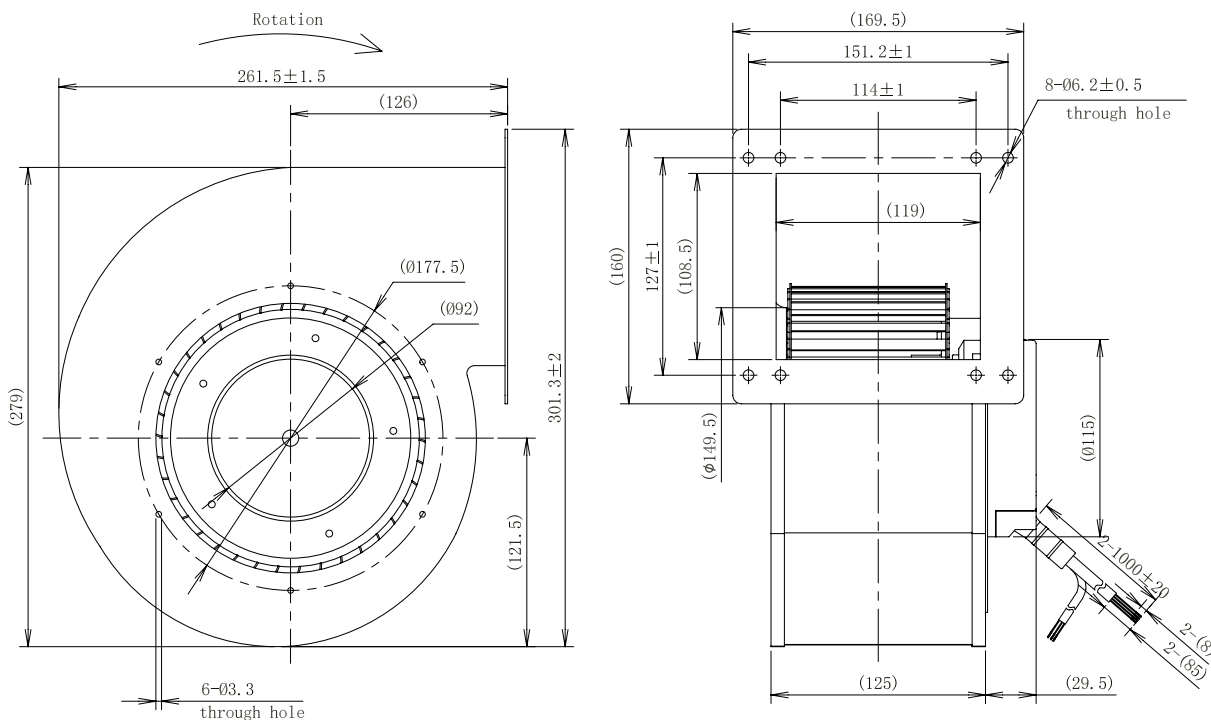
Technical data

Supply	230 VAC
Frequency	50/60 Hz
Current draw	0.5 A
Power input	70 W
Speed	1200 min ⁻¹
Control input	0-10 VDC / PWM
Sound pressure level	63 dB
Degree of protection	IP44
Working temperature	-25 ~ +60 °C
Insulation class	B
Impeller material	PA66

Air performance

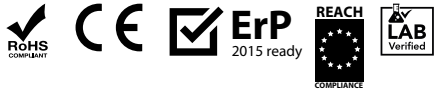
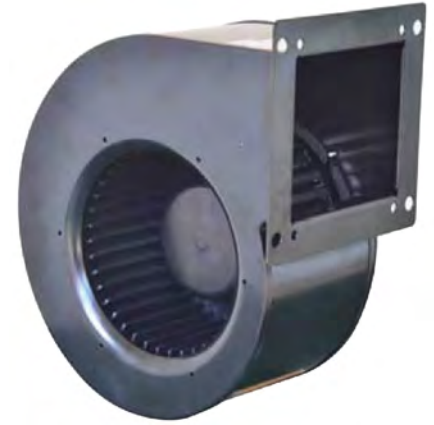


Product drawing



Model No. F3P180-EC092-003

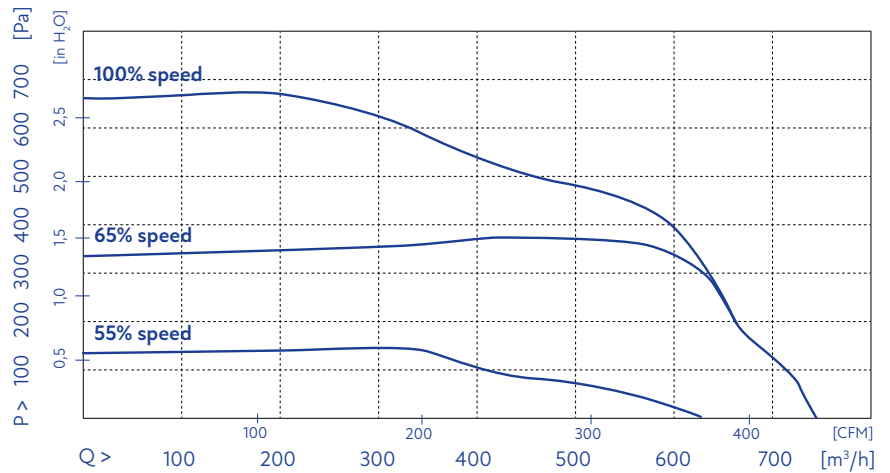
EC Single Inlet Forward Curved Centrifugal Fan



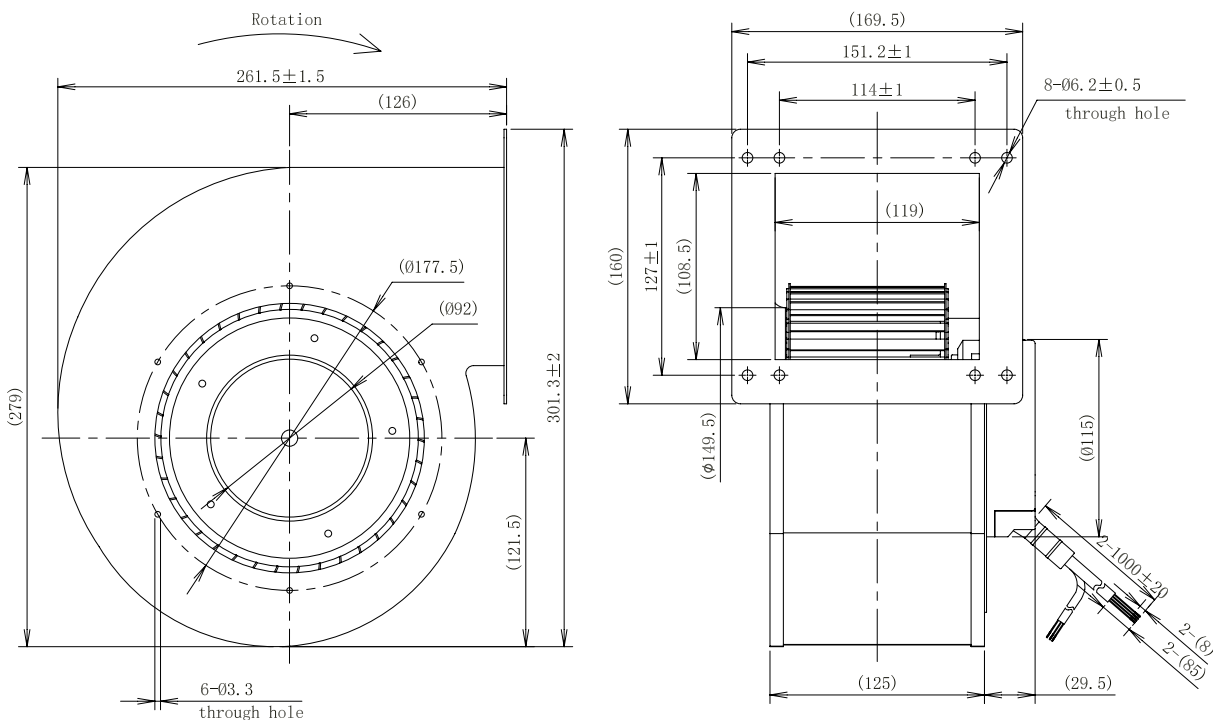
Technical data

Supply	230 VAC
Frequency	50/60 Hz
Current draw	1.3 A
Power input	180 W
Speed	1600 min ⁻¹
Control input	0-10 VDC / PWM
Sound pressure level	65 dB
Degree of protection	IP44
Working temperature	-25 ~ +60 °C
Insulation class	B
Impeller material	PA66

Air performance

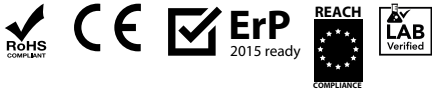


Product drawing



Model No. F3P200-EC102-001

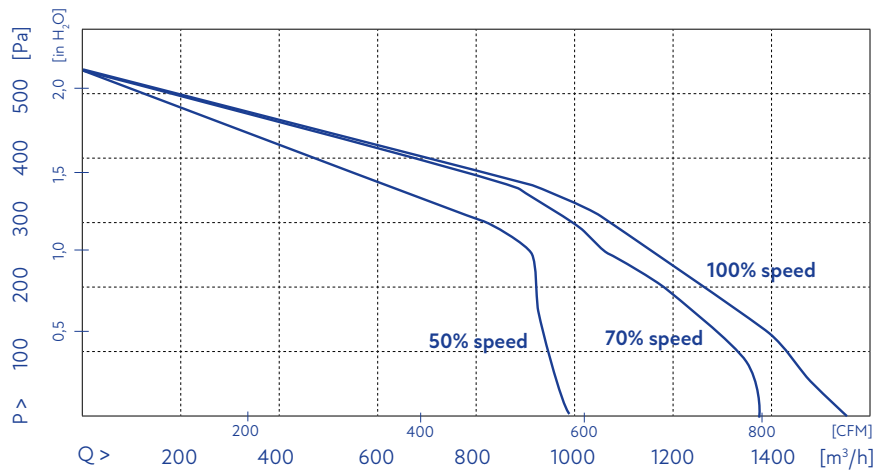
EC Single Inlet Forward Curved Centrifugal Fan



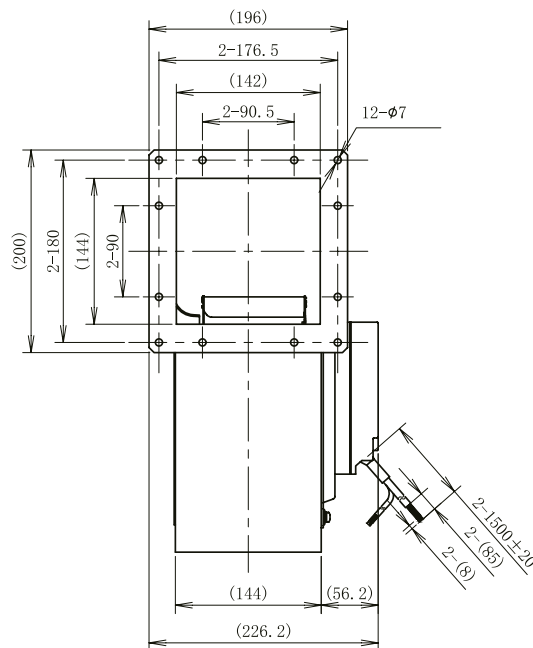
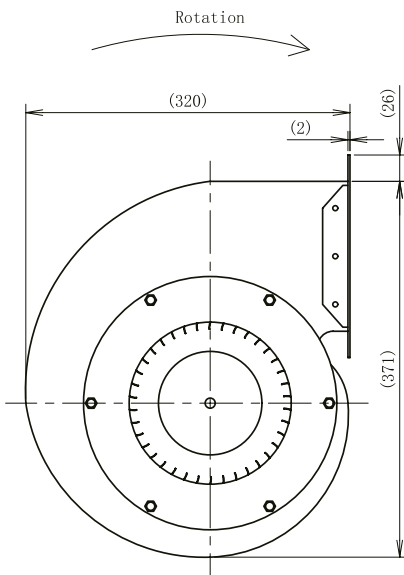
Technical data

Supply	230 VAC
Frequency	50/60 Hz
Current draw	1.7 A
Power input	380 W
Speed	1700 min ⁻¹
Control input	0-10 VDC / PWM
Sound pressure level	69 dB
Degree of protection	IP44
Working temperature	-25 ~ +60 °C
Insulation class	B
Impeller material	galvanised sheet steel

Air performance



Product drawing



Model No. F3P225-EC102-001

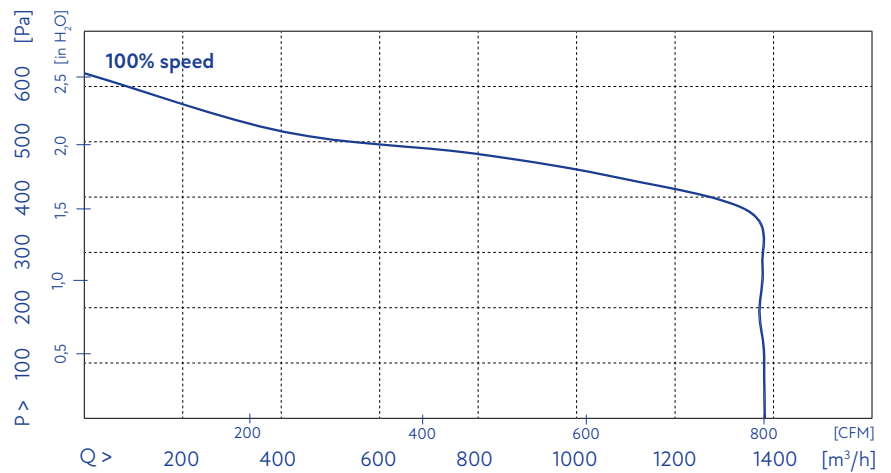
EC Single Inlet Forward Curved Centrifugal Fan



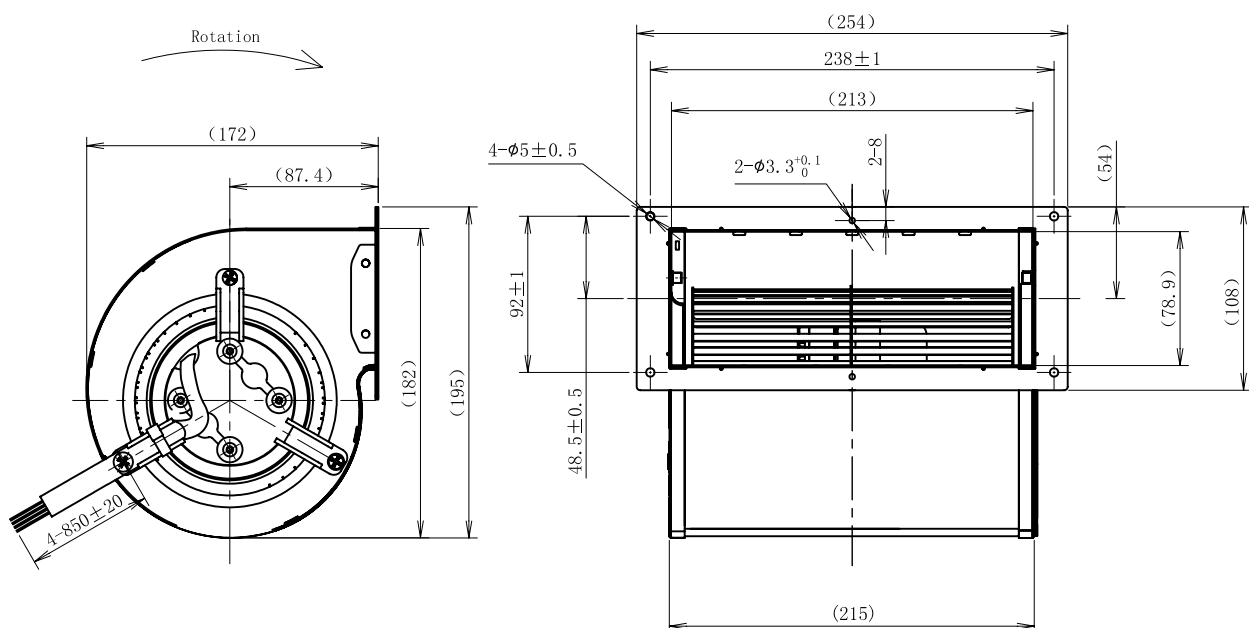
Technical data

Supply	230 VAC
Frequency	50/60 Hz
Current draw	1.1 A
Power input	230 W
Speed	1090 min ⁻¹
Control input	0-10 VDC / PWM
Sound pressure level	55 dB
Degree of protection	IP44
Working temperature	-25 ~ +60 °C
Insulation class	B
Impeller material	galvanised sheet steel

Air performance

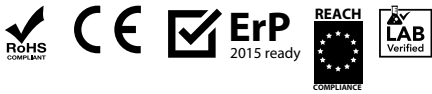


Product drawing



Model No. F3P250-EC102-001

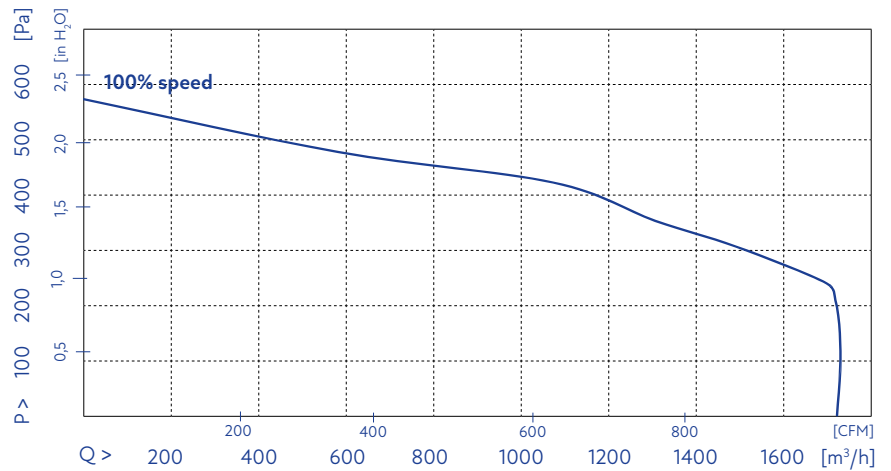
EC Single Inlet Forward Curved Centrifugal Fan



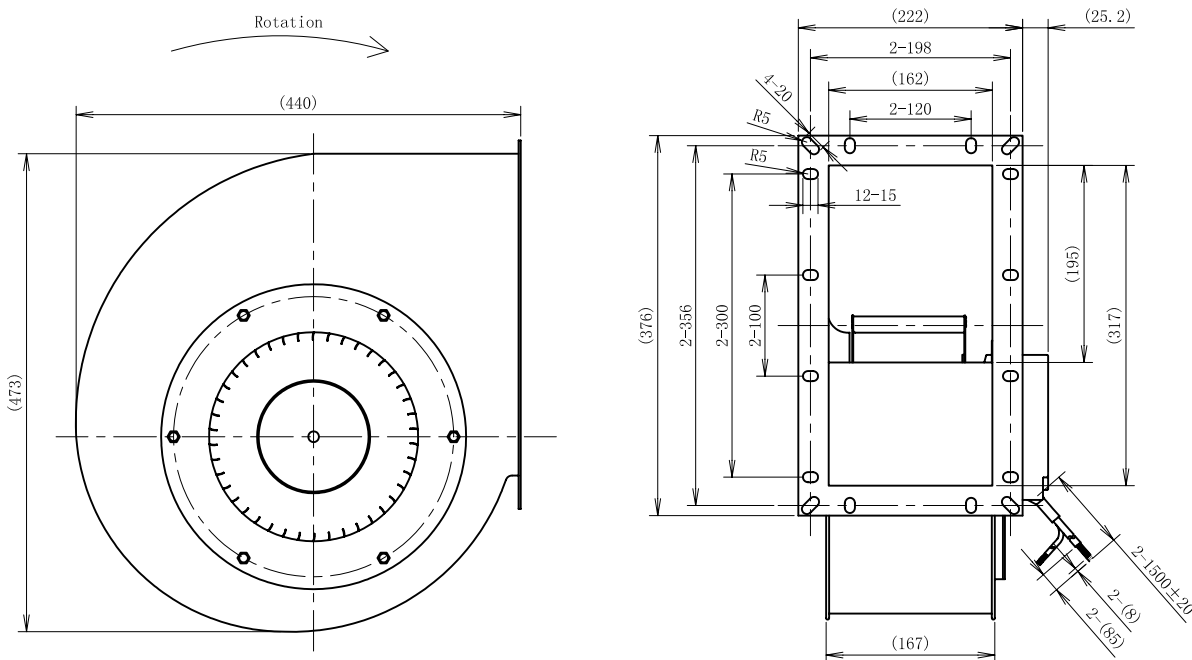
Technical data

Supply	230 VAC
Frequency	50/60 Hz
Current draw	1.1 A
Power input	230 W
Speed	840 min ⁻¹
Control input	0-10 VDC / PWM
Sound pressure level	50 dB
Degree of protection	IP44
Working temperature	-25 ~ +60 °C
Insulation class	B
Impeller material	galvanised sheet steel

Air performance



Product drawing



Model No. F3P280-EC137-001

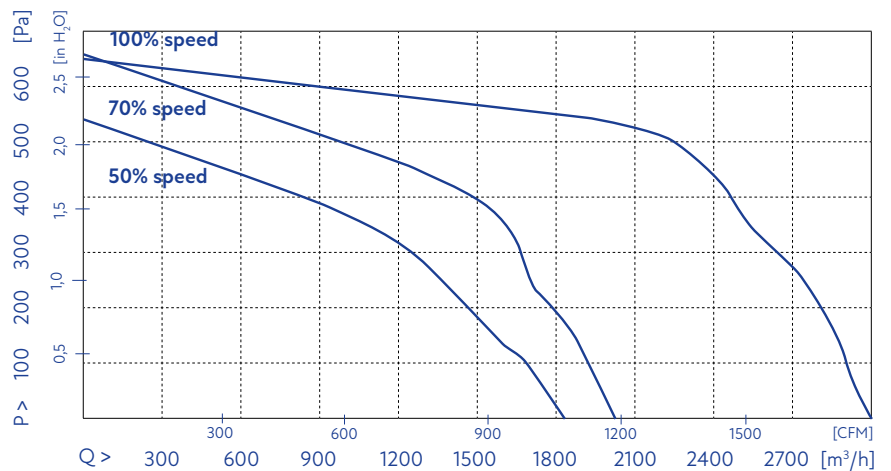
EC Single Inlet Forward Curved Centrifugal Fan



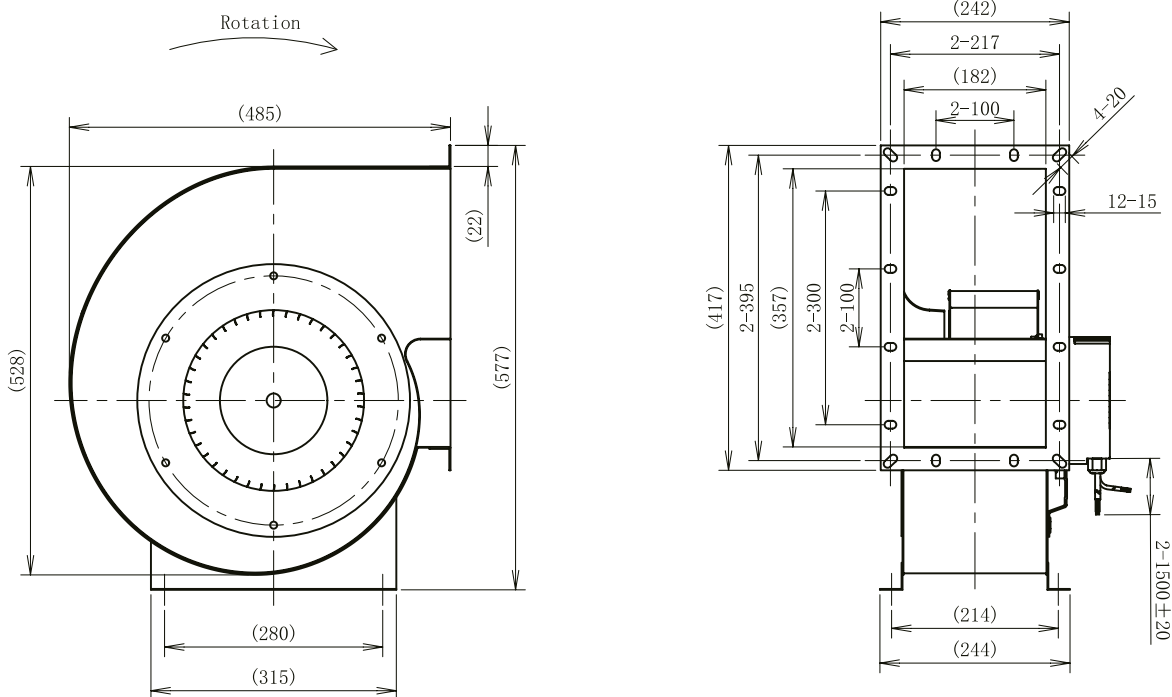
Technical data

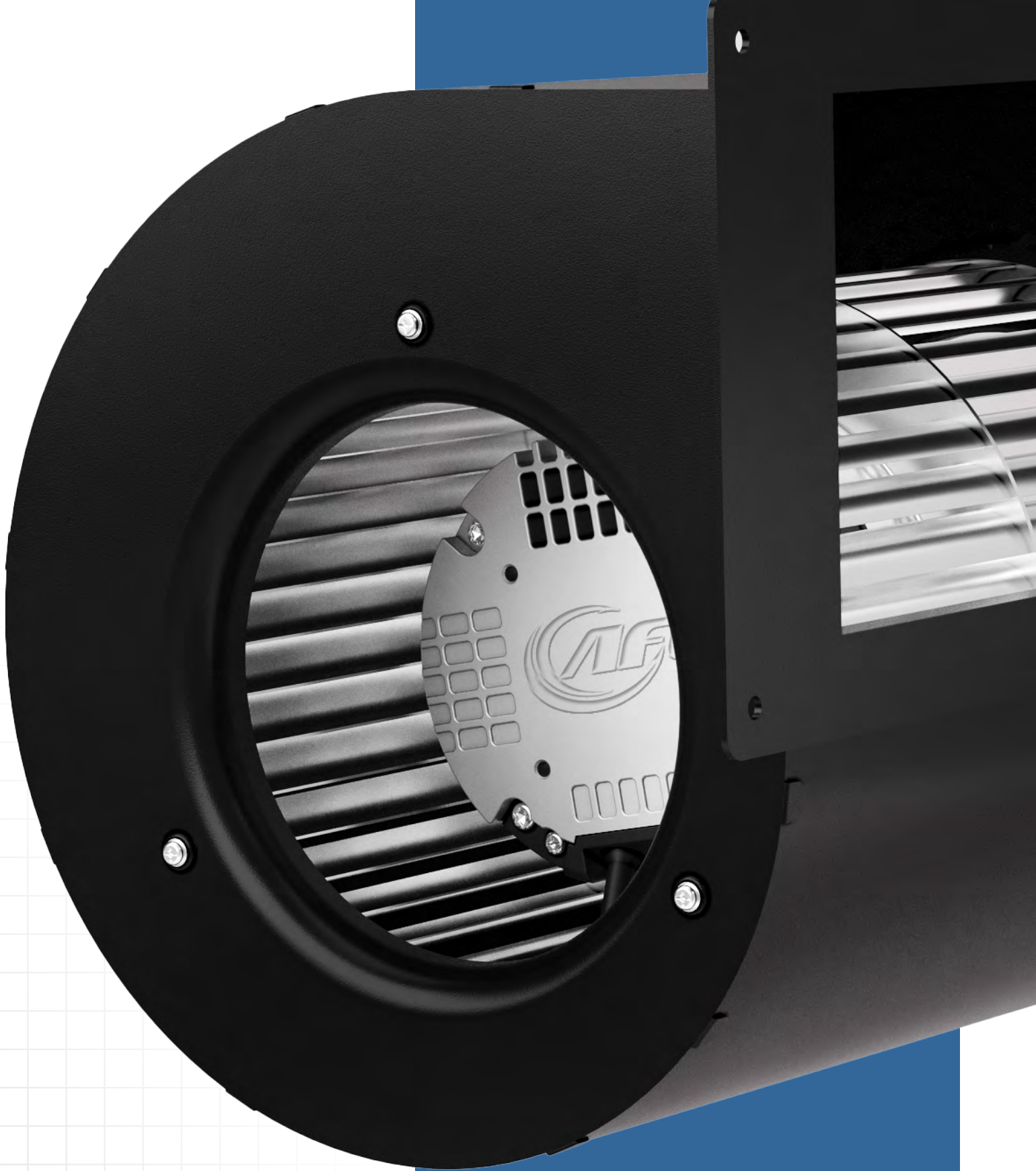
Supply	3x400 VAC
Frequency	50/60 Hz
Current draw	1.6 A
Power input	950 W
Speed	1150 min ⁻¹
Control input	0-10 VDC / PWM
Sound pressure level	79 dB
Degree of protection	IP44
Working temperature	-25 ~ +60 °C
Insulation class	B
Impeller material	galvanised sheet steel

Air performance



Product drawing

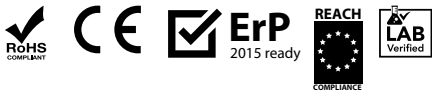




EC Dual Inlet Forward Curved Centrifugal Fans

Model No. F3P120-EC072-010

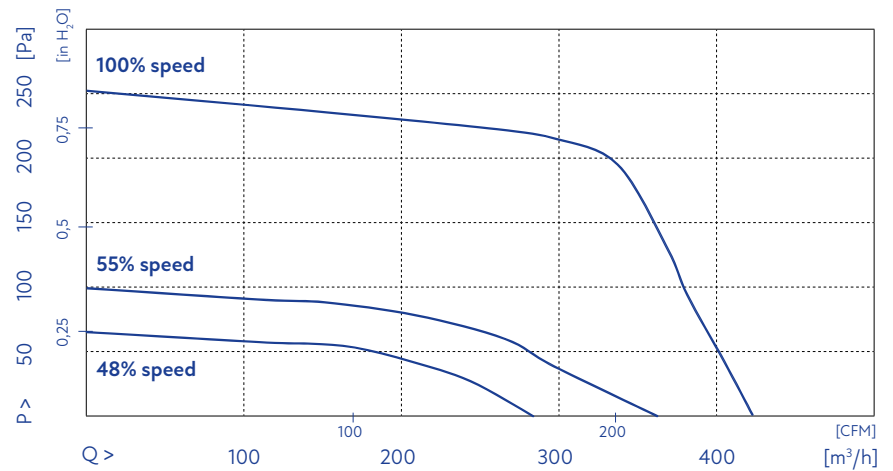
EC Dual Inlet Forward Curved Centrifugal Fans



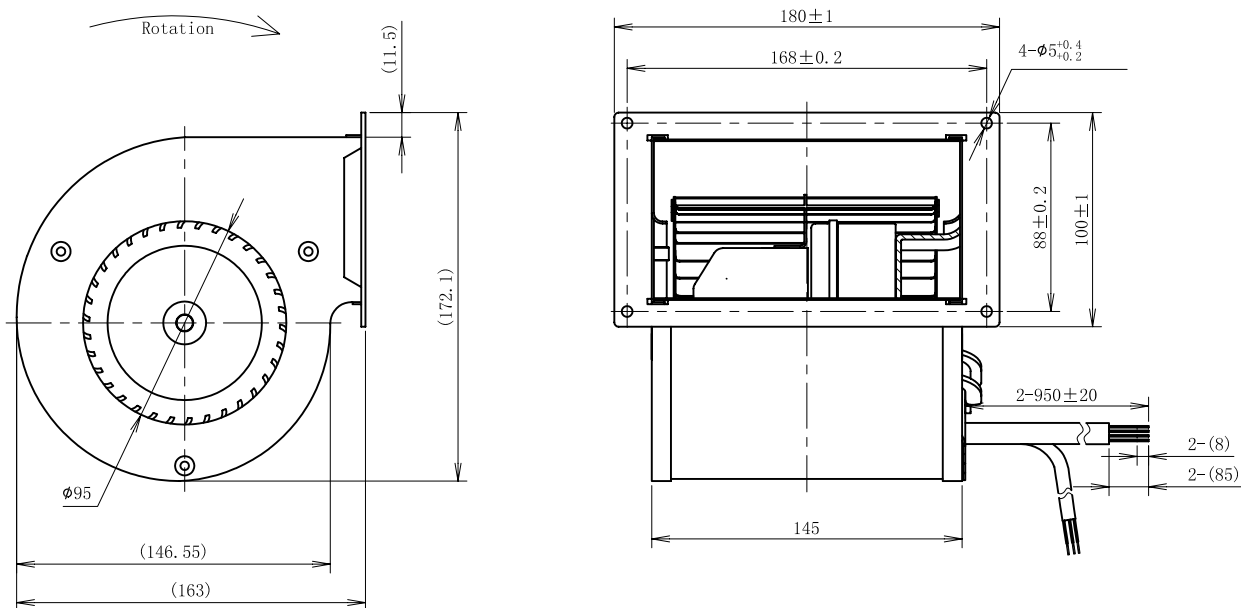
Technical data

Supply	230 VAC
Frequency	50/60 Hz
Current draw	0.55 A
Power input	70 W
Speed	1900 min ⁻¹
Control input	0-10 VDC / PWM
Sound pressure level	59 dB
Degree of protection	IP44
Working temperature	-25 ~ +60 °C
Insulation class	B
Impeller material	galvanised sheet steel

Air performance

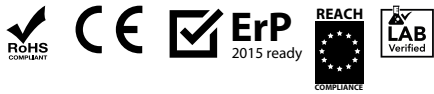


Product drawing



Model No. F3P133-EC072-016

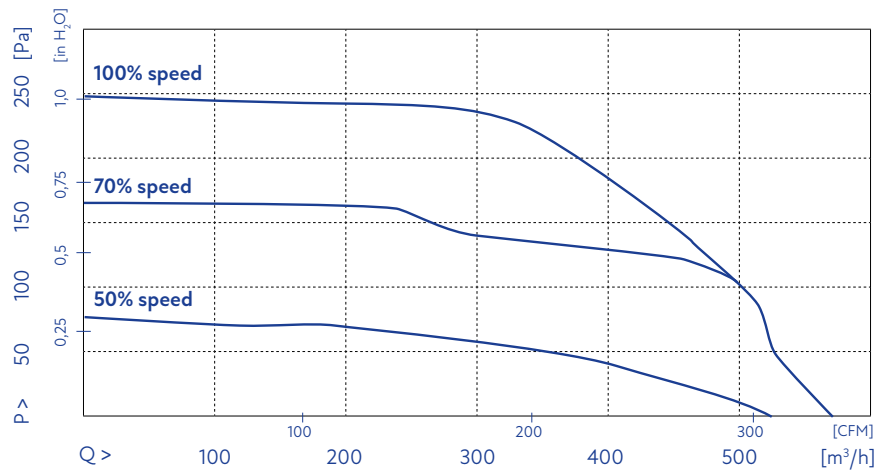
EC Dual Inlet Forward Curved Centrifugal Fans



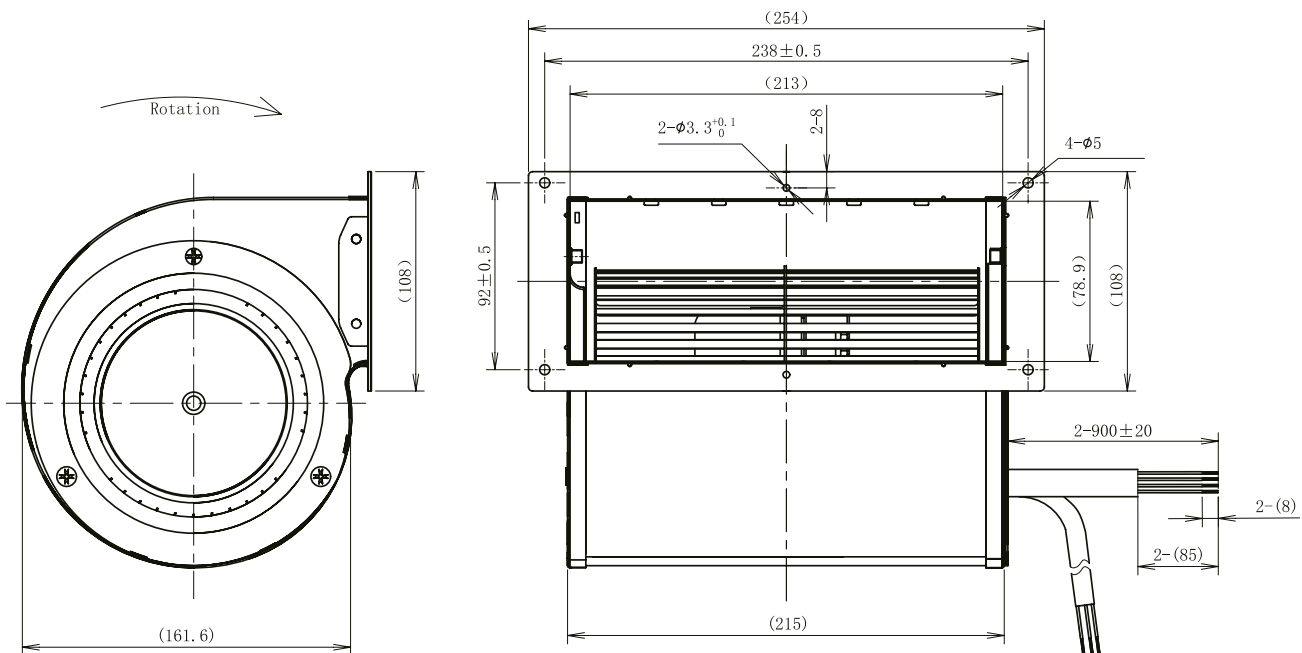
Technical data

Supply	230 VAC
Frequency	50/60 Hz
Current draw	0.6 A
Power input	80 W
Speed	1500 min ⁻¹
Control input	0-10 VDC / PWM
Sound pressure level	59 dB
Degree of protection	IP44
Working temperature	-25 ~ +60 °C
Insulation class	B
Impeller material	galvanised sheet steel

Air performance

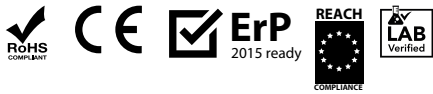


Product drawing



Model No. F3P133-EC092-100

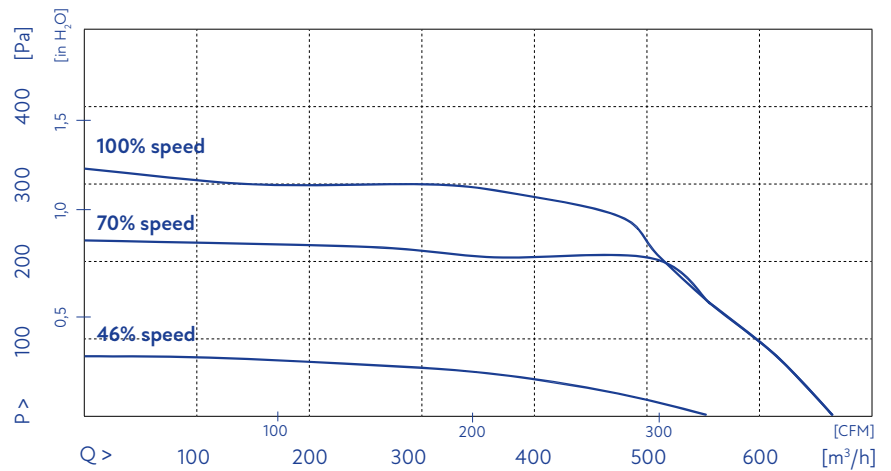
EC Dual Inlet Forward Curved Centrifugal Fans



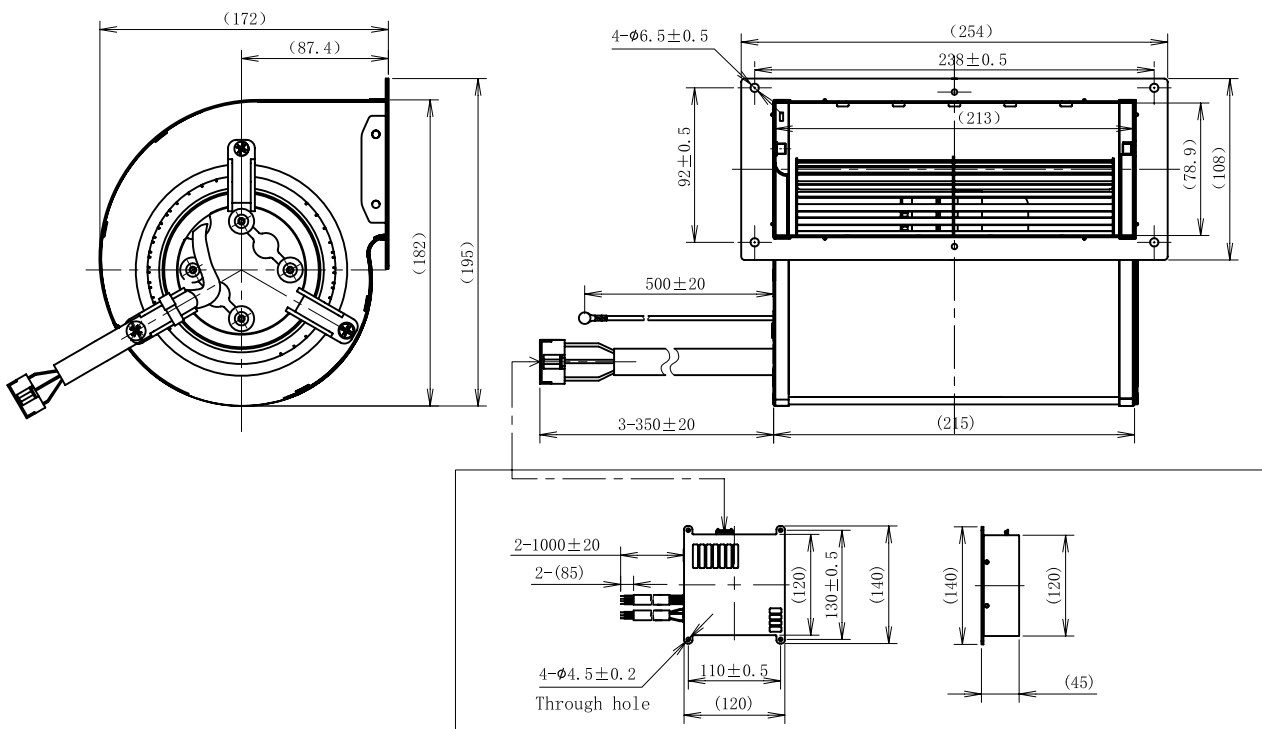
Technical data

Supply	230 VAC
Frequency	50/60 Hz
Current draw	0.6 A
Power input	80 W
Speed	1550 min ⁻¹
Control input	0-10 VDC / PWM
Sound pressure level	69 dB
Degree of protection	IP44
Working temperature	-25 ~ +60 °C
Insulation class	B
Impeller material	galvanised sheet steel

Air performance



Product drawing



Model No. F3P146-EC092-035

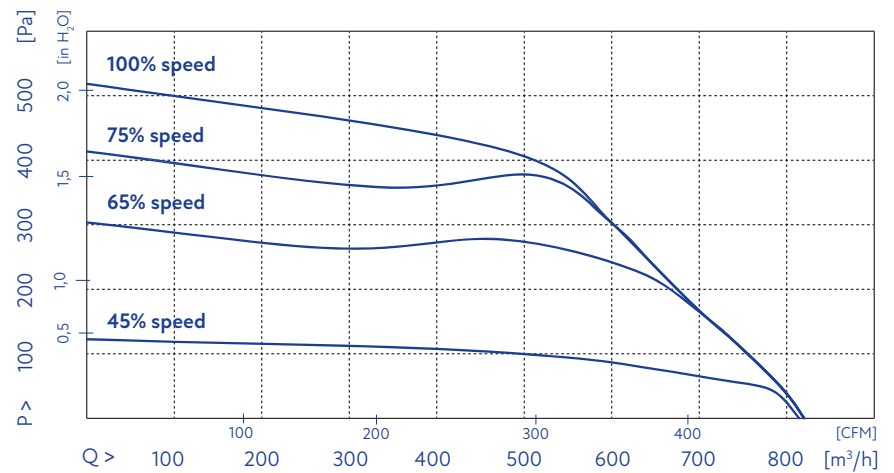
EC Dual Inlet Forward Curved Centrifugal Fans



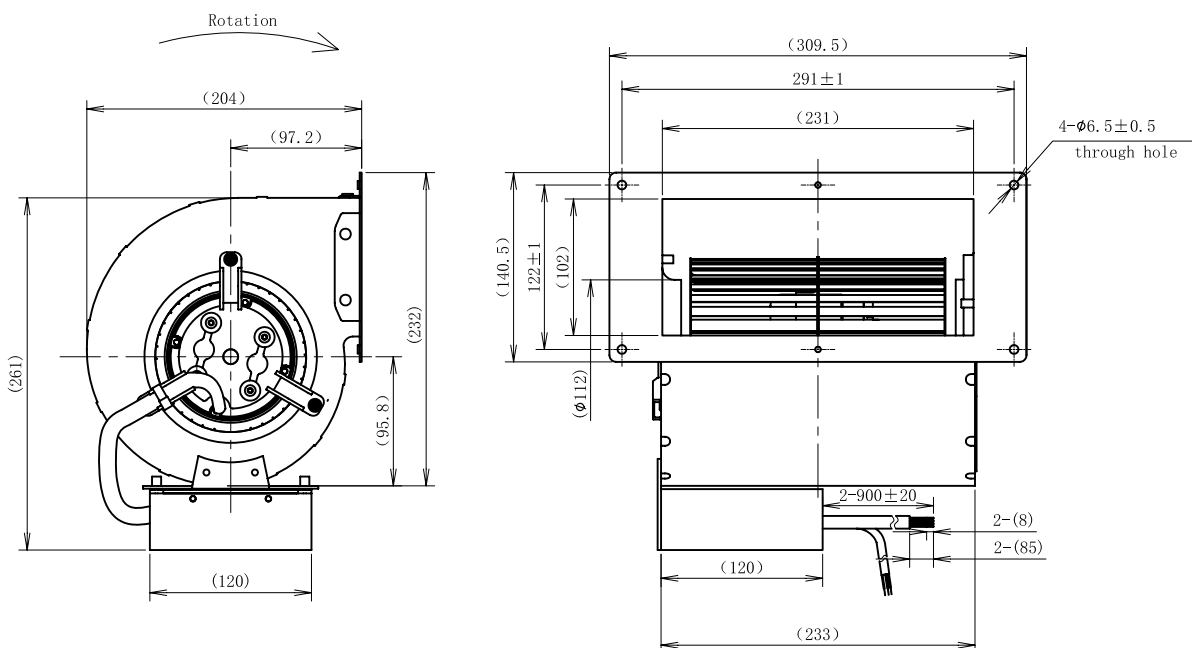
Technical data

Supply	230 VAC
Frequency	50/60 Hz
Current draw	0.6 A
Power input	80 W
Speed	1300 min ⁻¹
Control input	0-10 VDC / PWM
Sound pressure level	59 dB
Degree of protection	IP44
Working temperature	-25 ~ +60 °C
Insulation class	B
Impeller material	galvanised sheet steel

Air performance

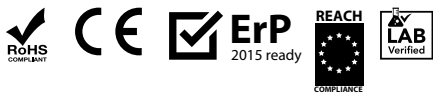


Product drawing



Model No. F3P146-EC092-057

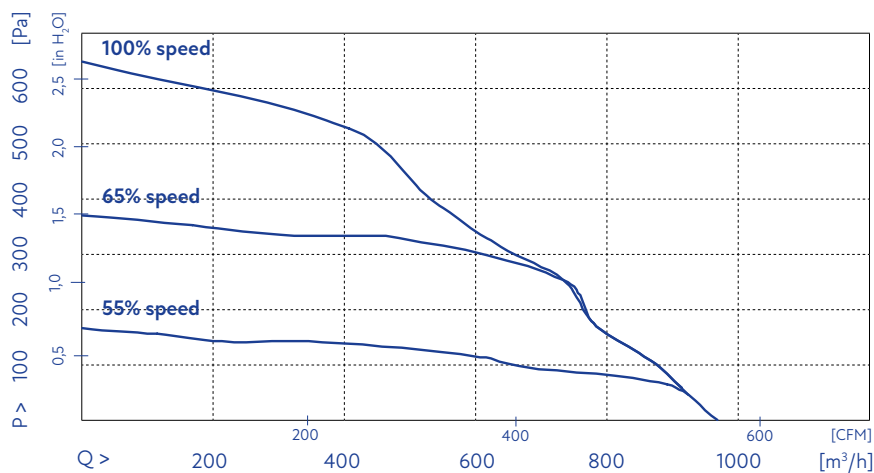
EC Dual Inlet Forward Curved Centrifugal Fans



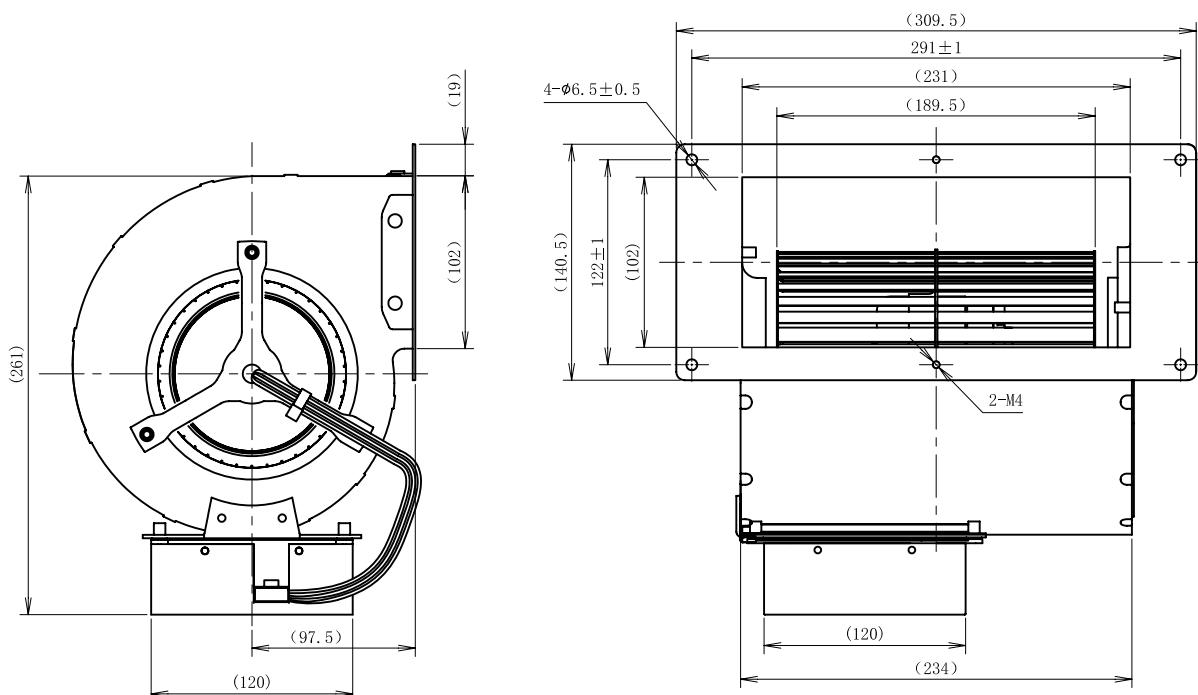
Technical data

Supply	230 VAC
Frequency	50/60 Hz
Current draw	0.8 A
Power input	115 W
Speed	1450 min ⁻¹
Control input	0-10 VDC / PWM
Sound pressure level	61 dB
Degree of protection	IP44
Working temperature	-25 ~ +60 °C
Insulation class	B
Impeller material	galvanised sheet steel

Air performance



Product drawing



Model No. F3P180-EC102-003

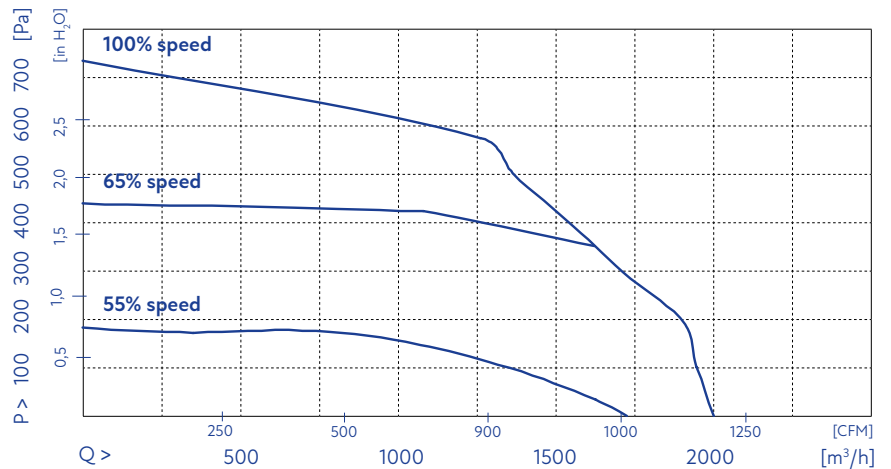
EC Dual Inlet Forward Curved Centrifugal Fans



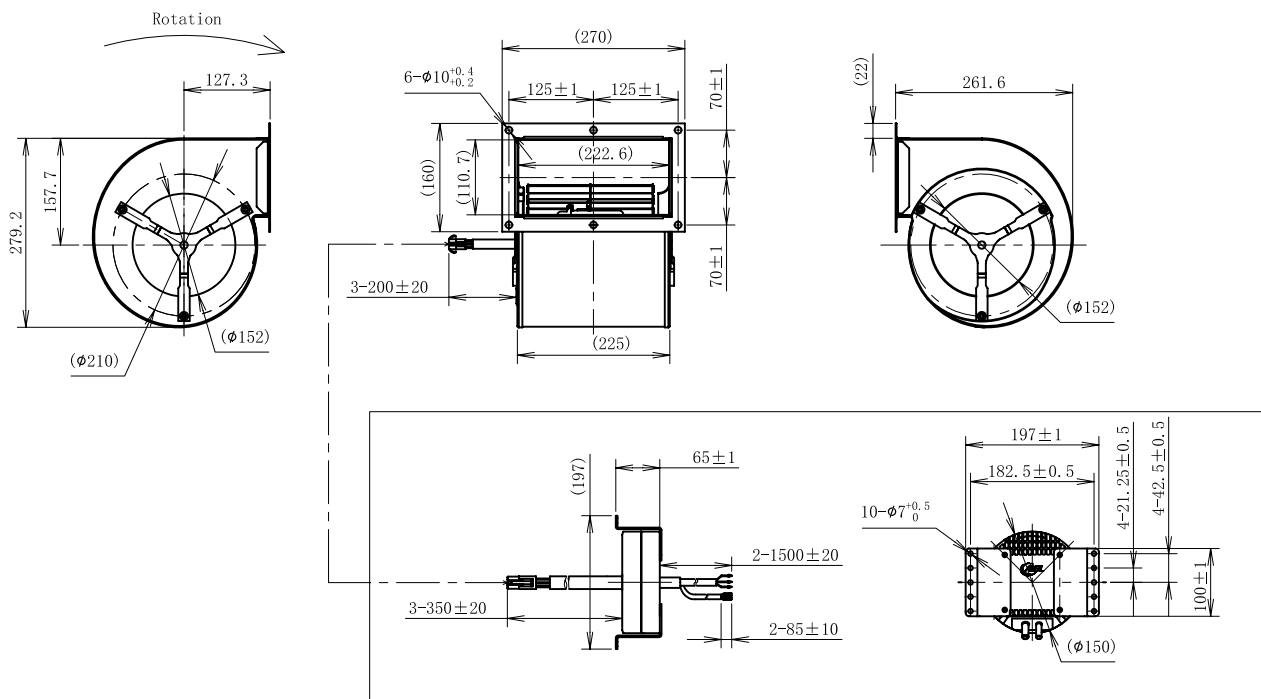
Technical data

Supply	230 VAC
Frequency	50/60 Hz
Current draw	1.9 A
Power input	400 W
Speed	1550 min ⁻¹
Control input	0-10 VDC / PWM
Sound pressure level	74 dB
Degree of protection	IP44
Working temperature	-25 ~ +60 °C
Insulation class	B
Impeller material	galvanised sheet steel

Air performance

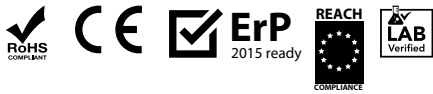


Product drawing



Model No. F3P200-EC102-100

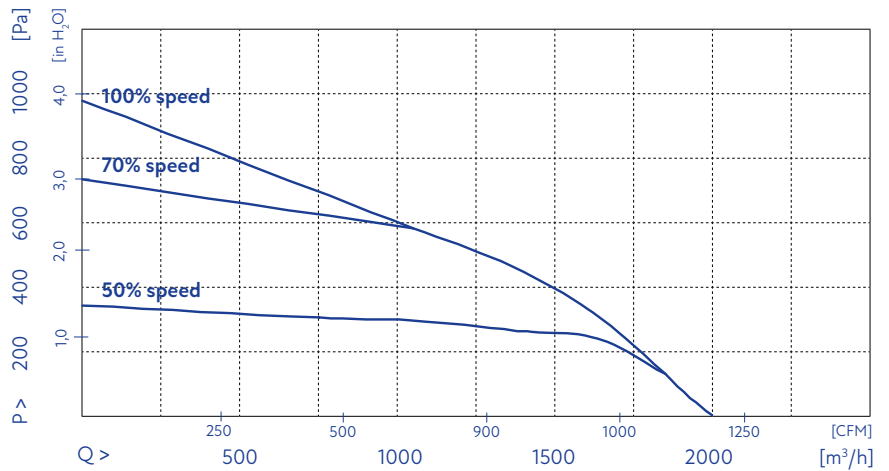
EC Dual Inlet Forward Curved Centrifugal Fans



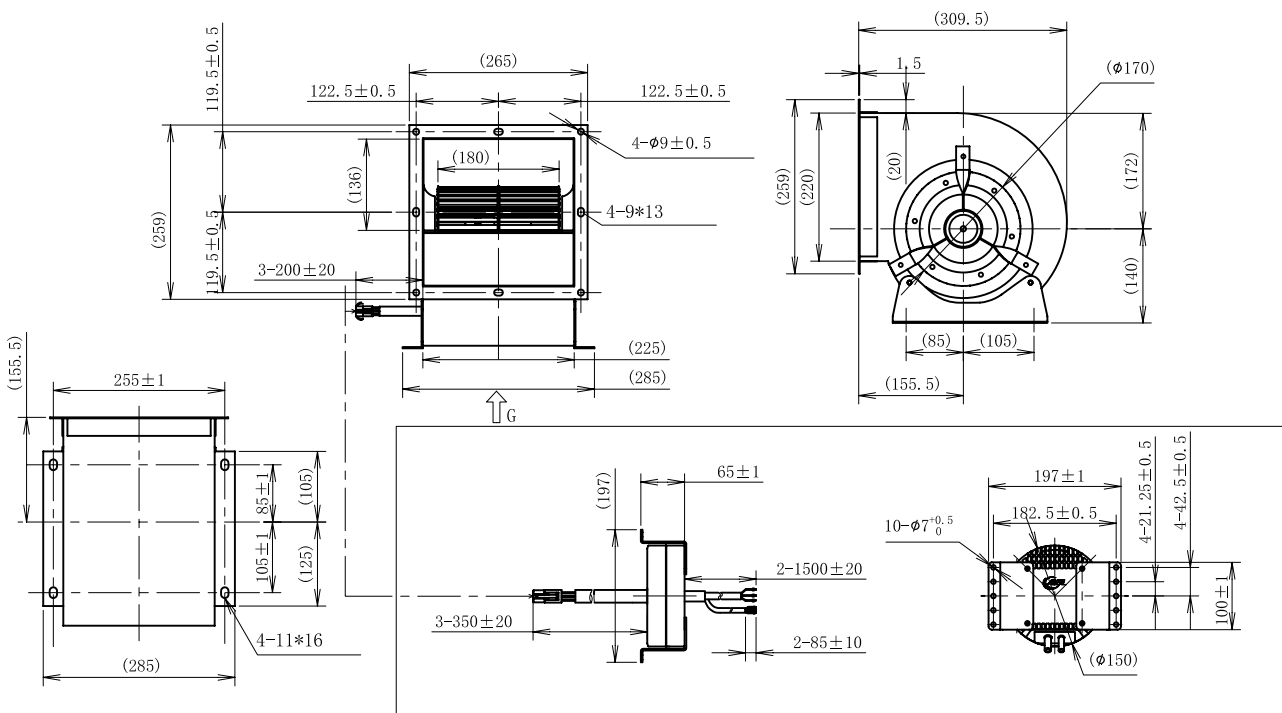
Technical data

Supply	230 VAC
Frequency	50/60 Hz
Current draw	1.36 A
Power input	300 W
Speed	1150 min ⁻¹
Control input	0-10 VDC / PWM
Sound pressure level	64 dB
Degree of protection	IP44
Working temperature	-25 ~ +60 °C
Insulation class	B
Impeller material	galvanised sheet steel

Air performance



Product drawing



Model No. F3P225-EC137-100

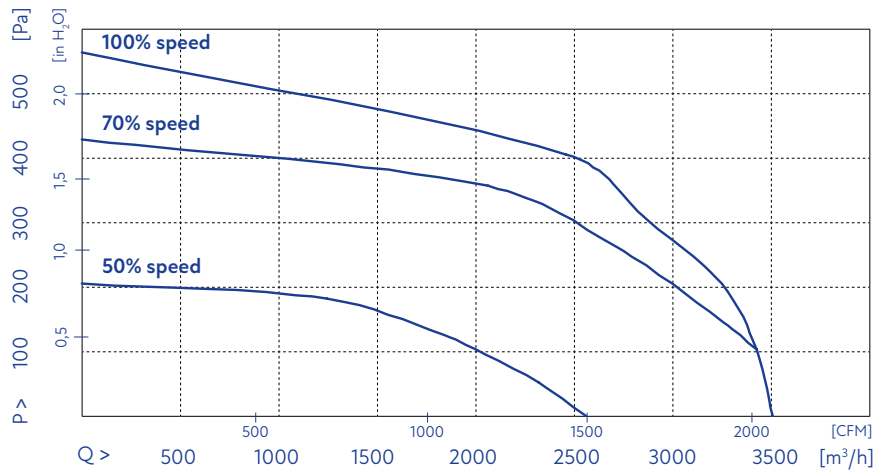
EC Dual Inlet Forward Curved Centrifugal Fans



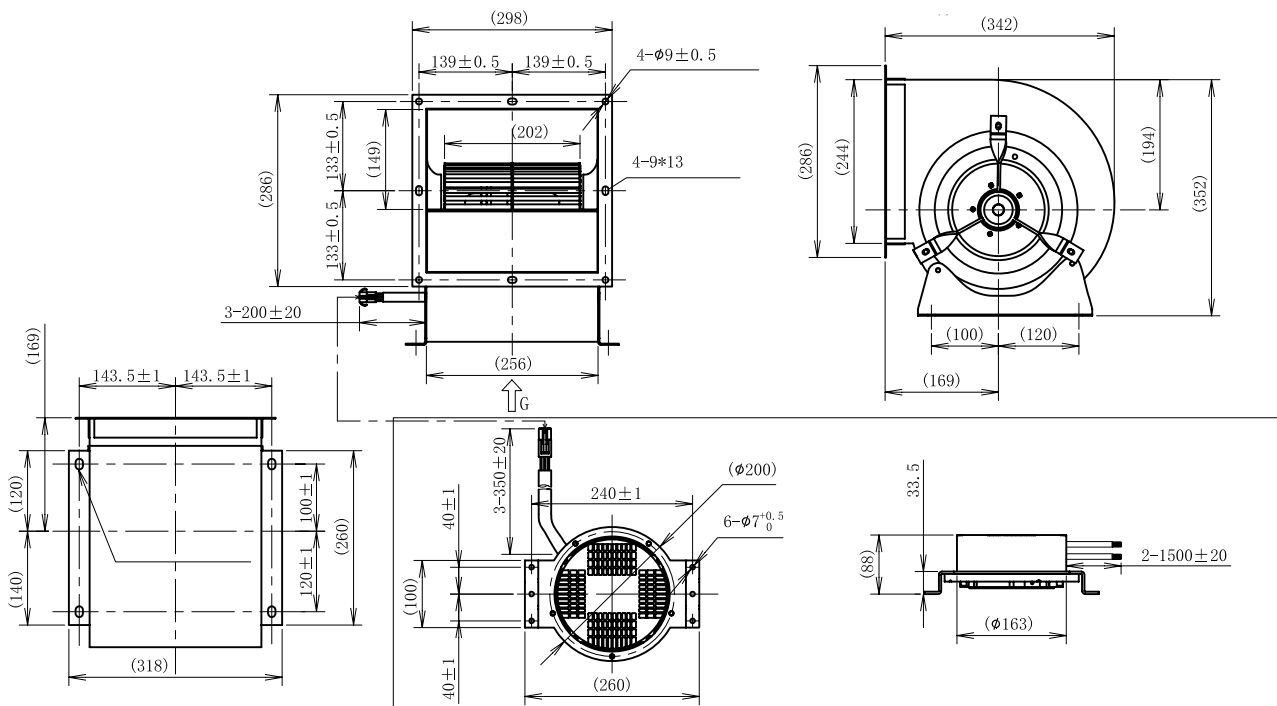
Technical data

Supply	3x400 VAC
Frequency	50/60 Hz
Current draw	1.8 A
Power input	1050 W
Speed	1450 min ⁻¹
Control input	0-10 VDC / PWM
Sound pressure level	78 dB
Degree of protection	IP44
Working temperature	-25 ~ +60 °C
Insulation class	F
Impeller material	galvanised sheet steel

Air performance

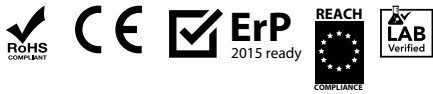


Product drawing



Model No. F3P250-EC137-100

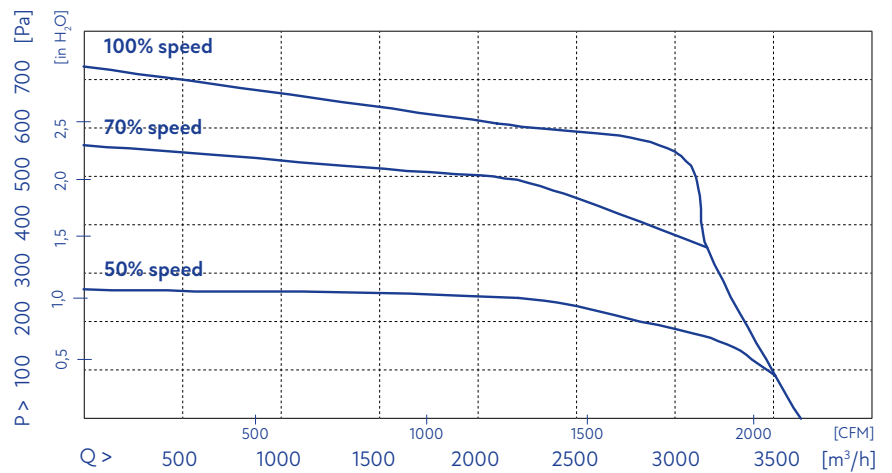
EC Dual Inlet Forward Curved Centrifugal Fans



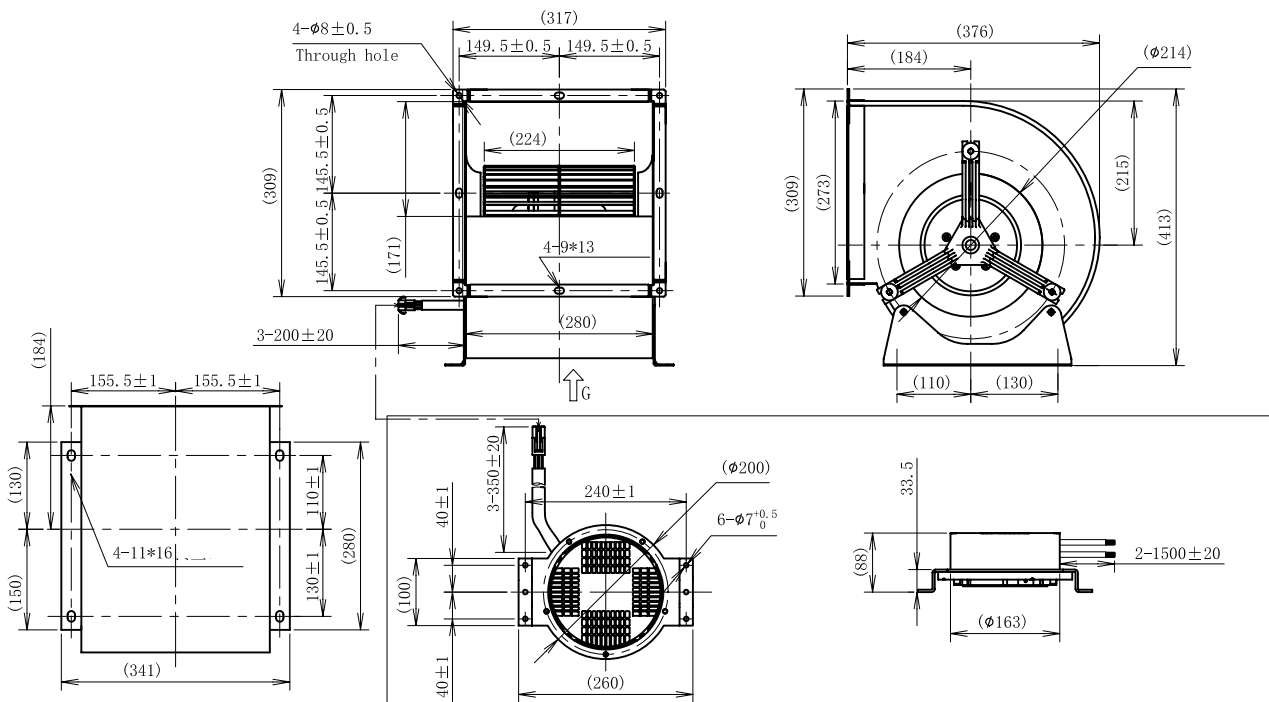
Technical data

Supply	3x400 VAC
Frequency	50/60 Hz
Current draw	1.2 A
Power input	655 W
Speed	920 min ⁻¹
Control input	0-10 VDC / PWM
Sound pressure level	74 dB
Degree of protection	IP44
Working temperature	-25 ~ +60 °C
Insulation class	B
Impeller material	PA66

Air performance

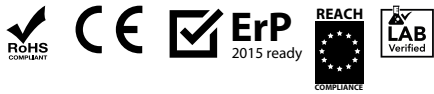


Product drawing



Model No. F3P280-EC137-100

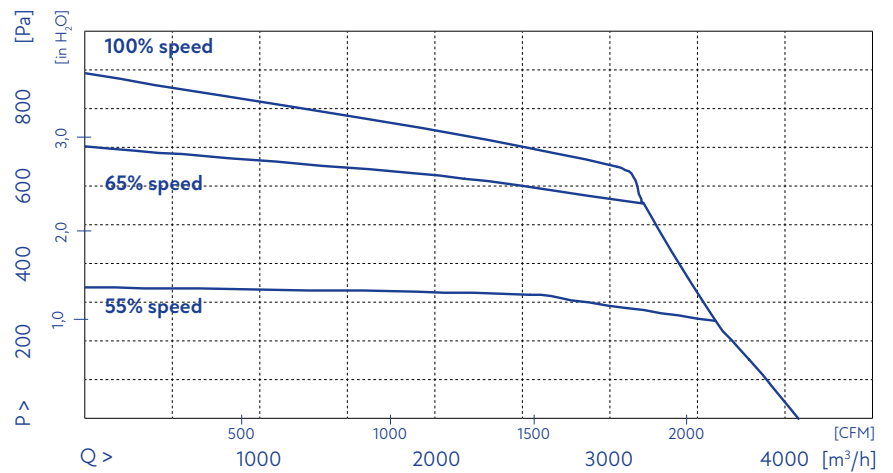
EC Dual Inlet Forward Curved Centrifugal Fans



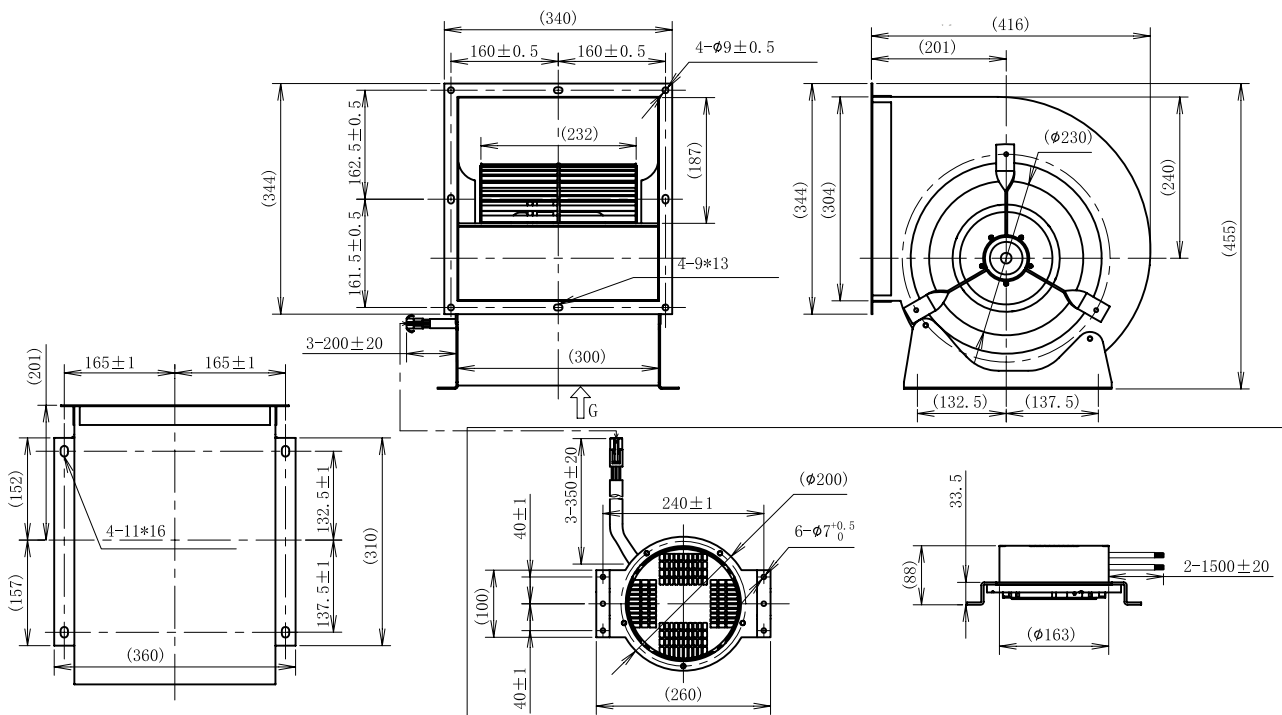
Technical data

Supply	3x400 VAC
Frequency	50/60 Hz
Current draw	1.1 A
Power input	600 W
Speed	800 min ⁻¹
Control input	0-10 VDC / PWM
Sound pressure level	72 dB
Degree of protection	IP44
Working temperature	-25 ~ +60 °C
Insulation class	F
Impeller material	galvanised sheet steel

Air performance



Product drawing

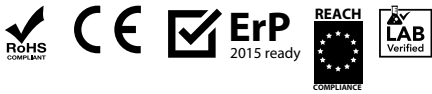




EC Axial fans

Model No. A3P200-EC072-.....

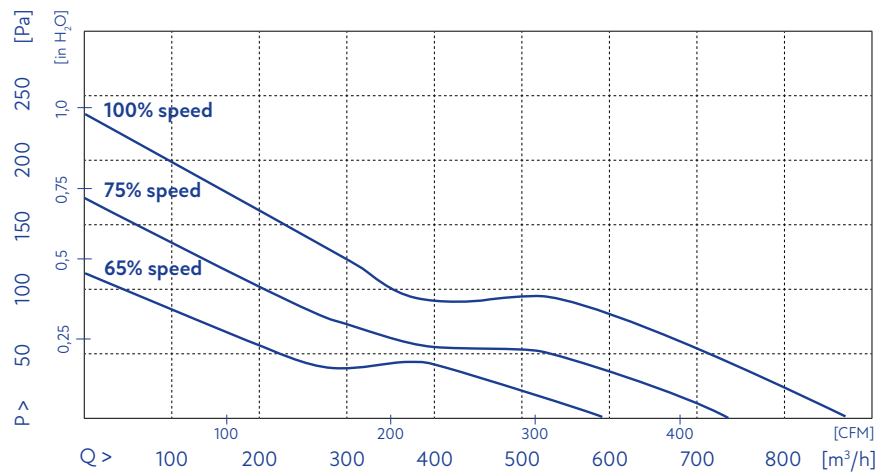
EC Axial Fan




Technical data


Supply	230 VAC
Frequency	50/60 Hz
Current draw	0.6 A
Power input	80 W
Speed	2600 min ⁻¹
Control input	0-10 VDC / PWM
Sound pressure level	54 dB
Degree of protection	IP44
Working temperature	-25 ~ +60 °C
Insulation class	B
Impeller material	PA66

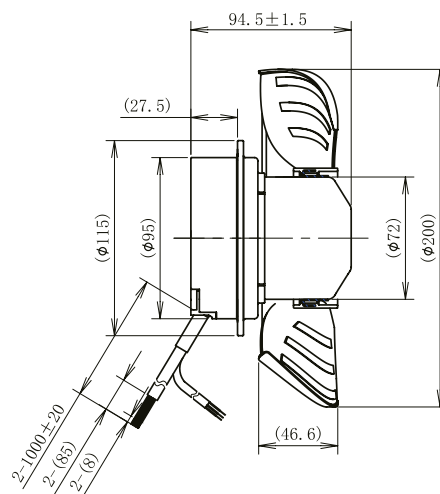
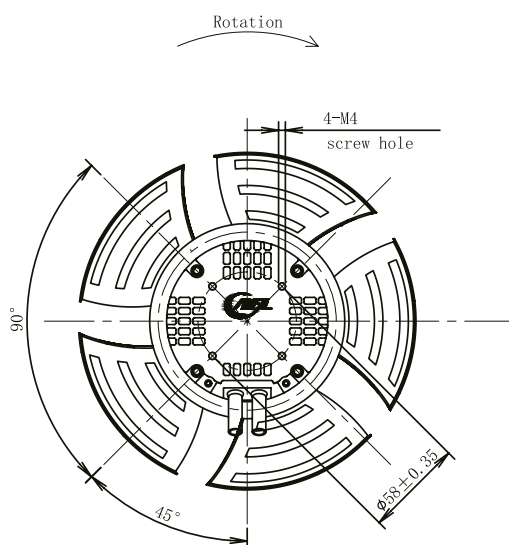
Air performance



Product drawing

Model No. A3P200-EC072-004 (suction) 

Model No. A3P200-EC072-005 (blowing) 



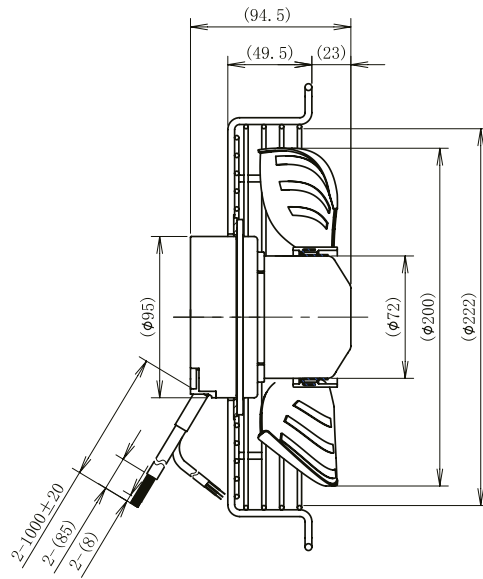
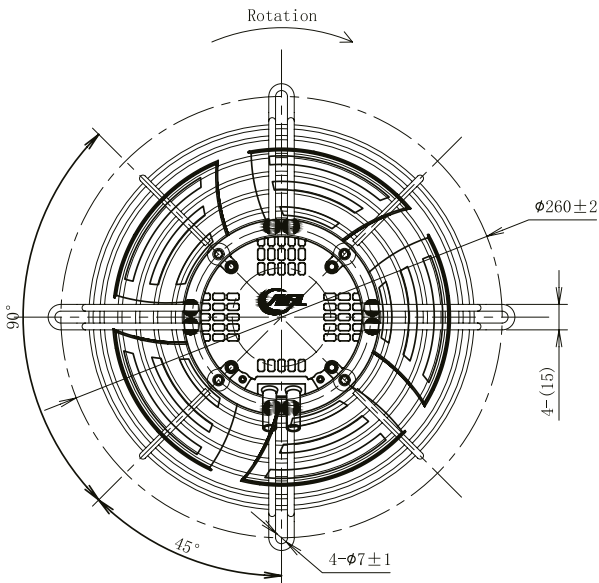
Product drawing

With wall concave net cover grill

Model No. **A3P200-EC072-100** (suction)



Model No. **A3P200-EC072-001** (blowing)



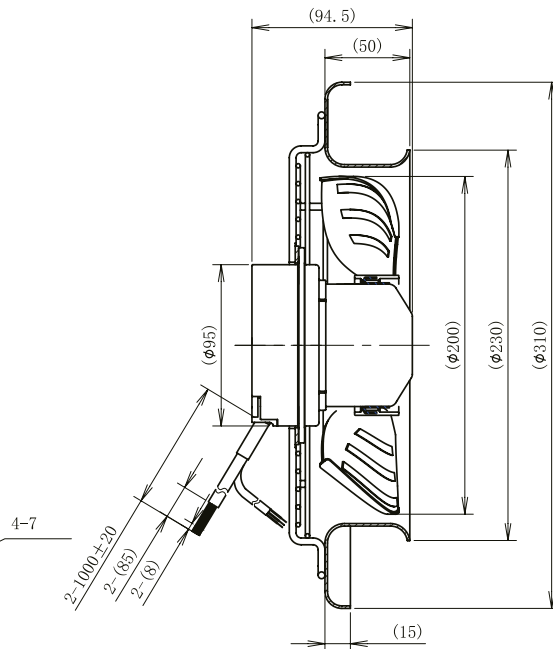
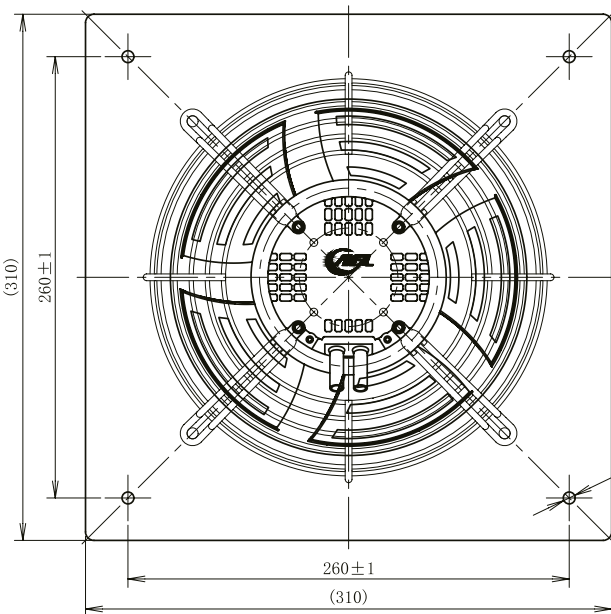
Product drawing

With wind guide panel

Model No. **A3P200-EC072-002** (suction)

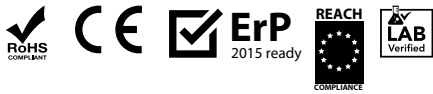


Model No. **A3P200-EC072-003** (blowing)



Model No. A3P200-EC092-.....

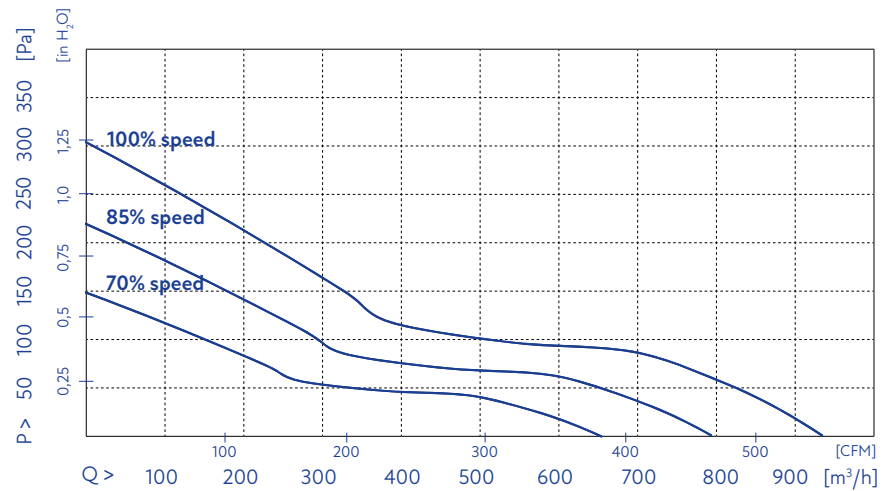
EC Axial Fan




Technical data


Supply	230 VAC
Frequency	50/60 Hz
Current draw	0.4 A
Power input	55 W
Speed	3000 min ⁻¹
Control input	0-10 VDC / PWM
Sound pressure level	60 dB
Degree of protection	IP44
Working temperature	-25 ~ +60 °C
Insulation class	B
Impeller material	sheet steel

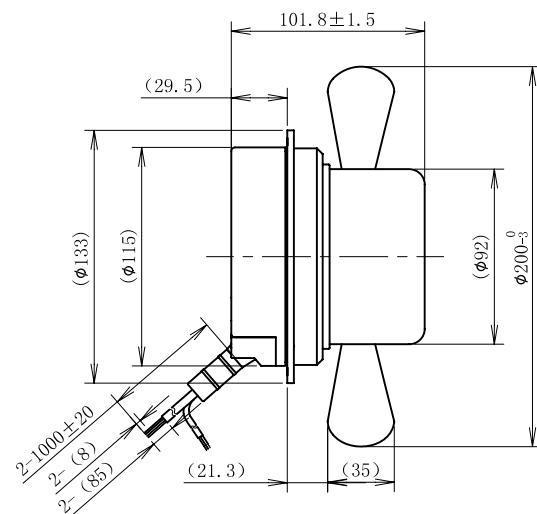
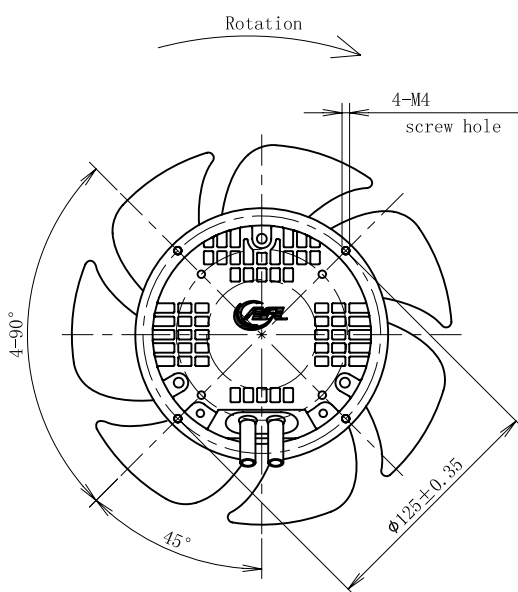
Air performance



Product drawing

Model No. A3P200-EC092-004 (suction) 

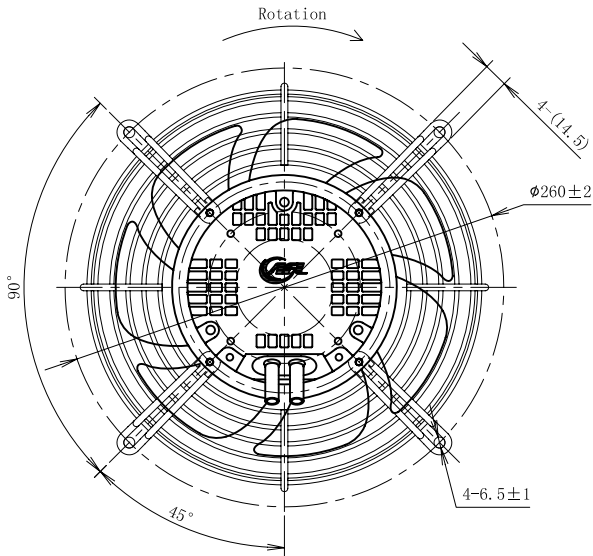
Model No. A3P200-EC092-005 (blowing) 



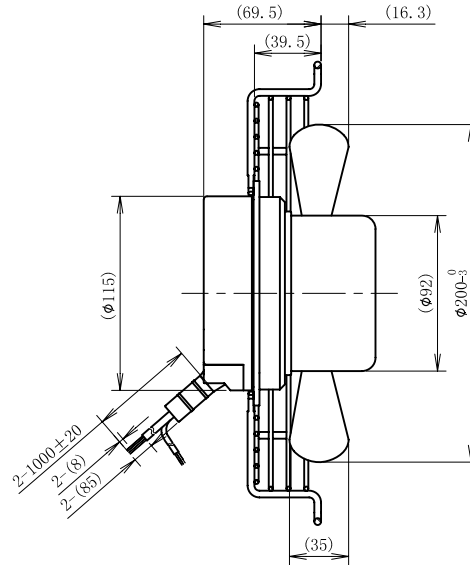
Product drawing

With wall concave net cover grill

Model No. **A3P200-EC092-100** (suction)



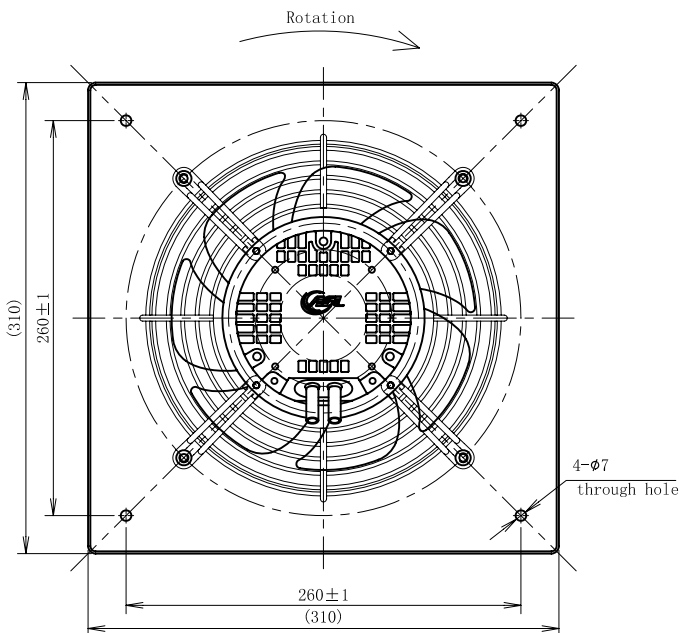
Model No. **A3P200-EC092-001** (blowing)



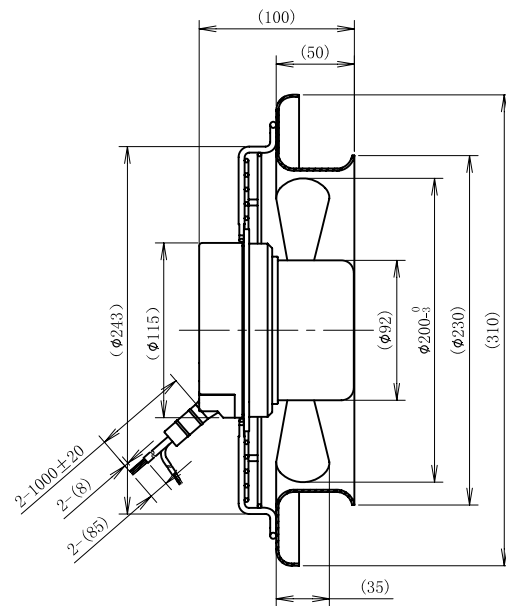
Product drawing

With wind guide panel

Model No. **A3P200-EC092-002** (suction)

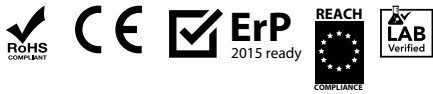


Model No. **A3P200-EC092-003** (blowing)



Model No. A3P250-EC092-.....

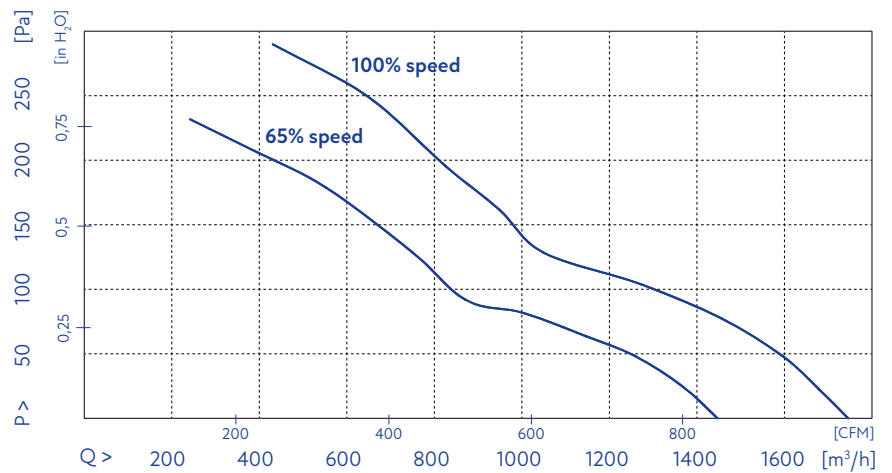
EC Axial Fan




Technical data


Supply	230 VAC
Frequency	50/60 Hz
Current draw	0.9 A
Power input	135 W
Speed	3150 min ⁻¹
Control input	0-10 VDC / PWM
Sound pressure level	69 dB
Degree of protection	IP44
Working temperature	-25 ~ +60 °C
Insulation class	B
Impeller material	sheet steel

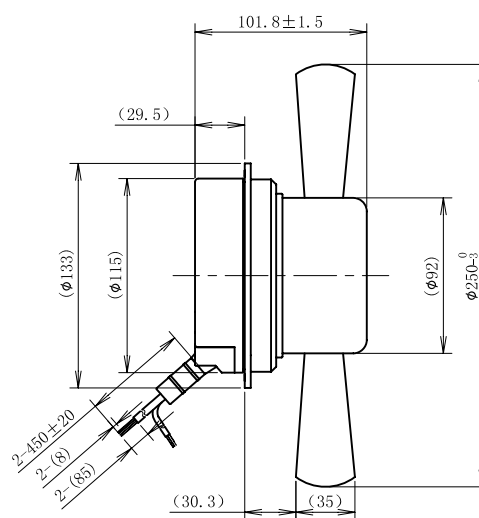
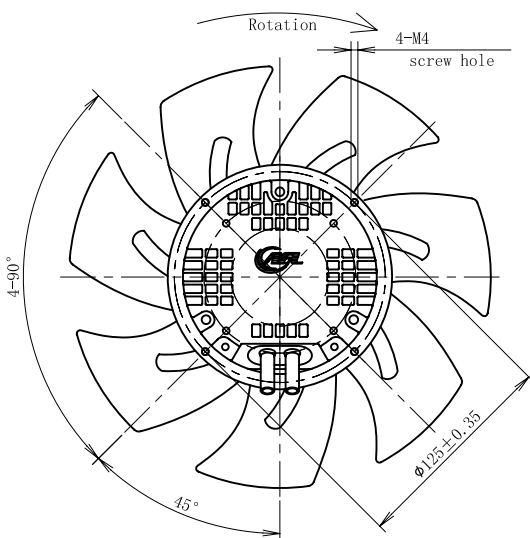
Air performance



Product drawing

Model No. A3P250-EC092-004 (suction) 

Model No. A3P250-EC092-005 (blowing) 



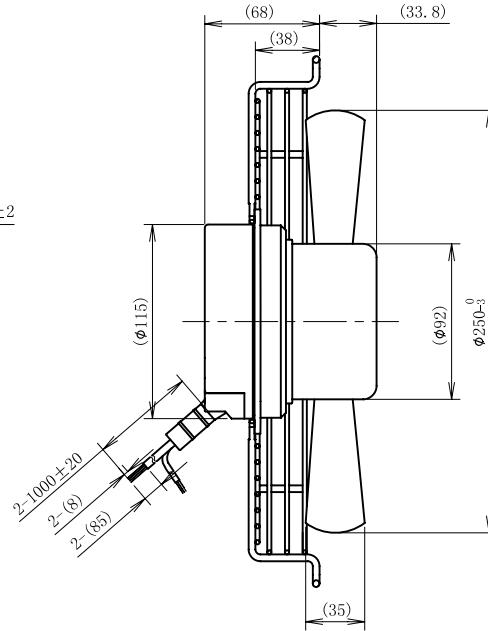
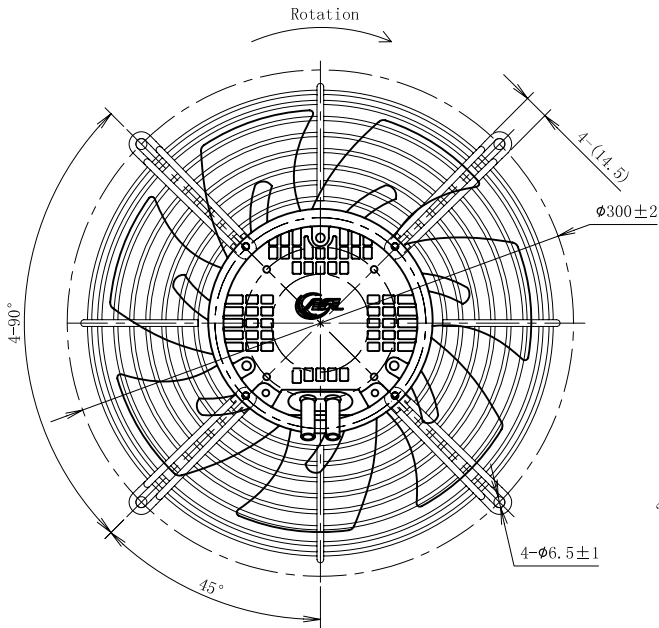
Product drawing

With wall concave net cover grill

Model No. **A3P250-EC092-100** (suction)



Model No. **A3P250-EC092-001** (blowing)



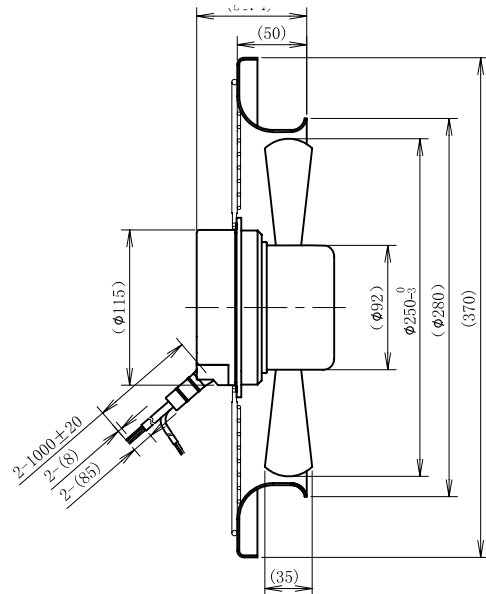
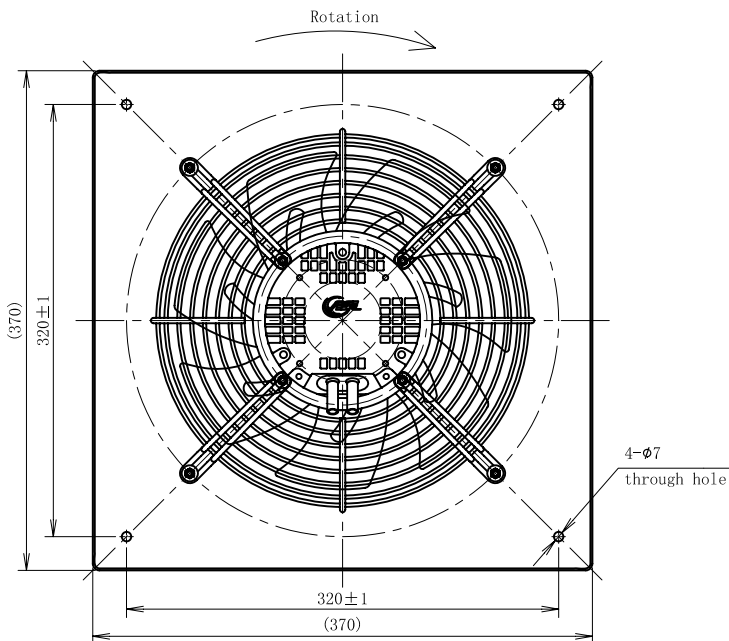
Product drawing

With wind guide panel

Model No. **A3P250-EC092-002** (suction)

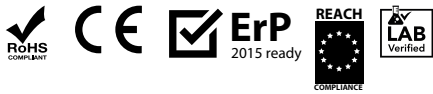


Model No. **A3P250-EC092-003** (blowing)



Model No. A3P300-EC072-.....

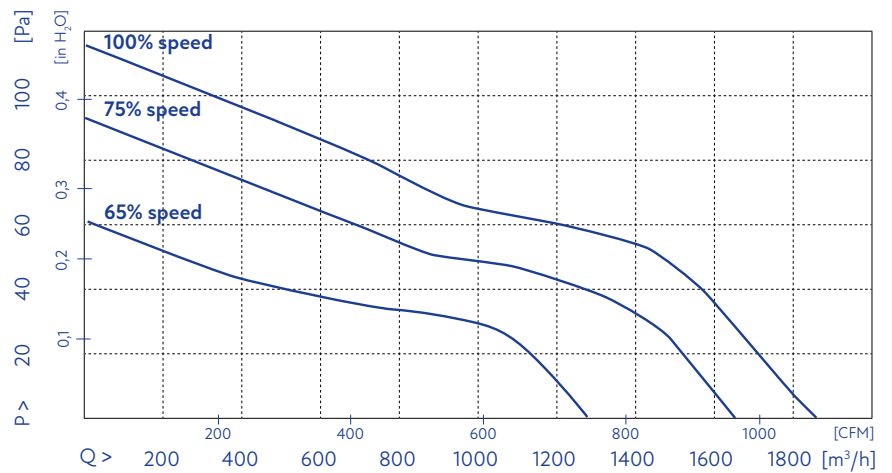
EC Axial Fan




Technical data


Supply	230 VAC
Frequency	50/60 Hz
Current draw	0.5 A
Power input	100 W
Speed	1600 min ⁻¹
Control input	0-10 VDC / PWM
Sound pressure level	63 dB
Degree of protection	IP44
Working temperature	-25 ~ +60 °C
Insulation class	B
Impeller material	PA66

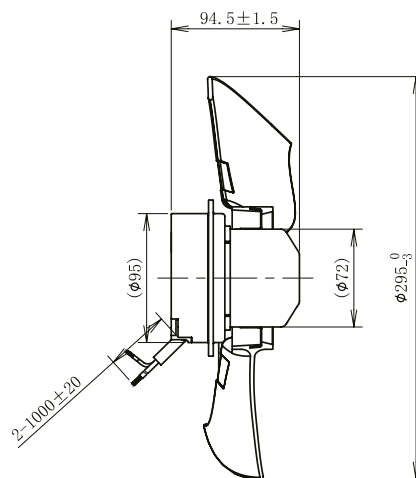
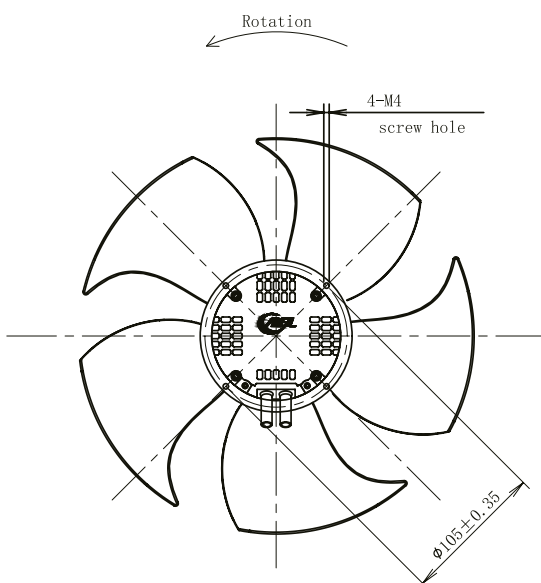
Air performance



Product drawing

Model No. A3P300-EC072-004 (suction) 

Model No. A3P200-EC072-005 (blowing) 



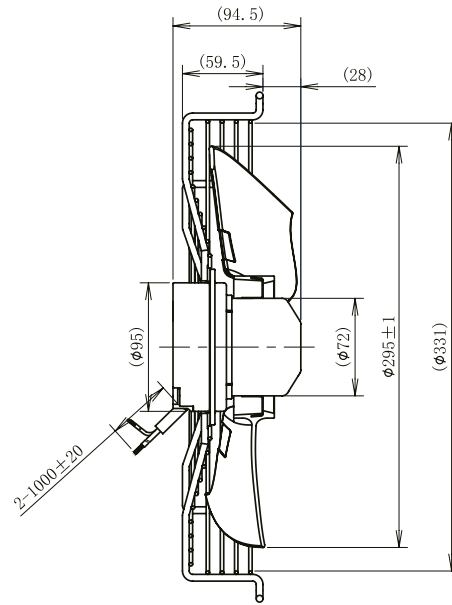
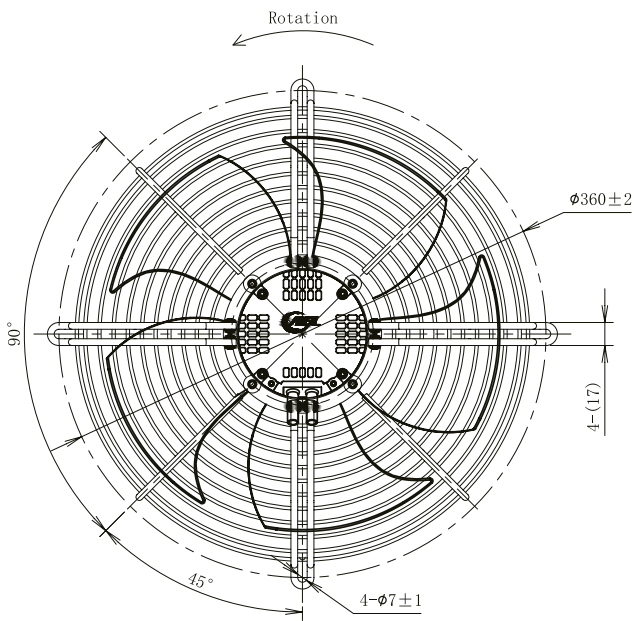
Product drawing

With wall concave net cover grill

Model No. **A3P300-EC072-100** (suction)



Model No. **A3P300-EC072-001** (blowing)



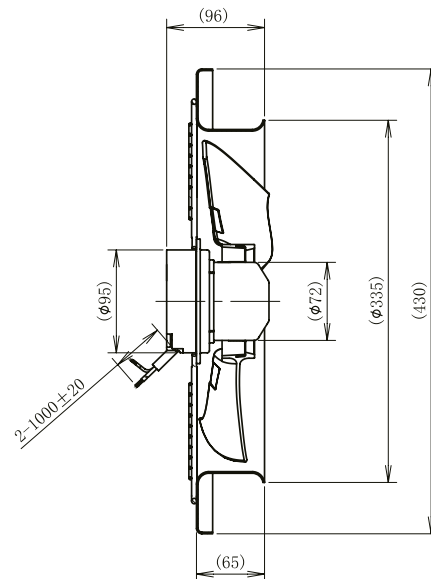
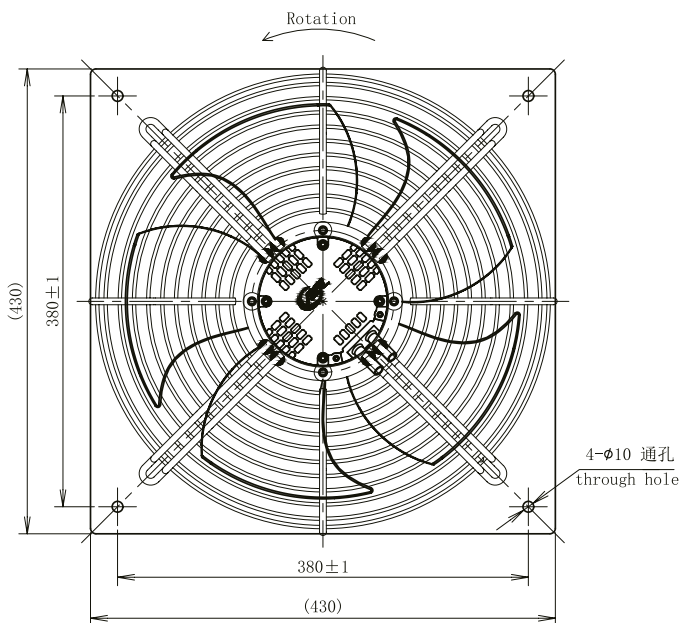
Product drawing

With wind guide panel

Model No. **A3P300-EC072-002** (suction)

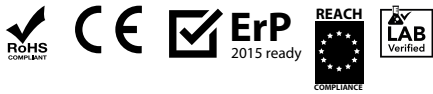


Model No. **A3P300-EC072-003** (blowing)



Model No. A3P300-EC092-.....

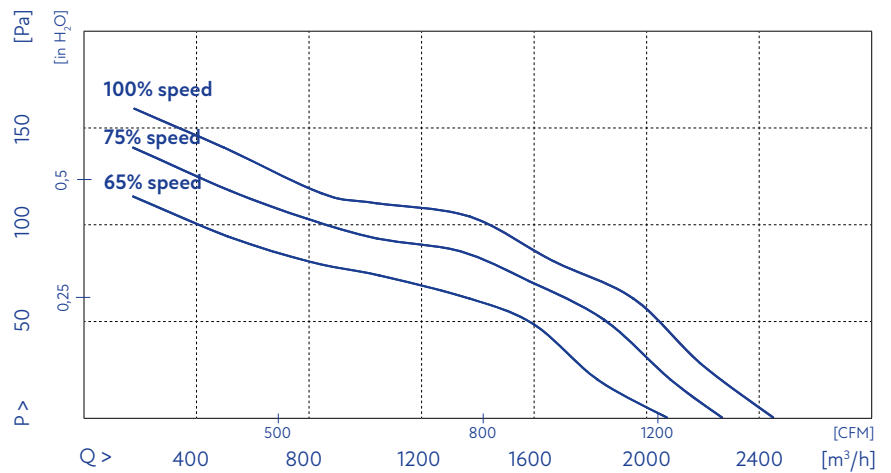
EC Axial Fan




Technical data


Supply	230 VAC
Frequency	50/60 Hz
Current draw	1.1 A
Power input	165 W
Speed	2100 min ⁻¹
Control input	0-10 VDC / PWM
Sound pressure level	64 dB
Degree of protection	IP44
Working temperature	-25 ~ +60 °C
Insulation class	B
Impeller material	PA66

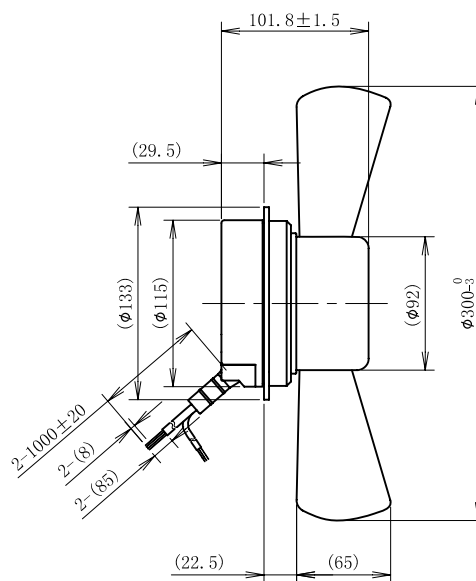
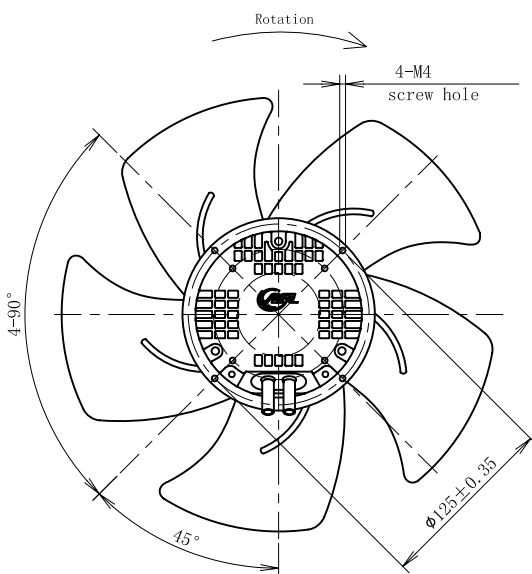
Air performance



Product drawing

Model No. A3P300-EC092-004 (suction) 

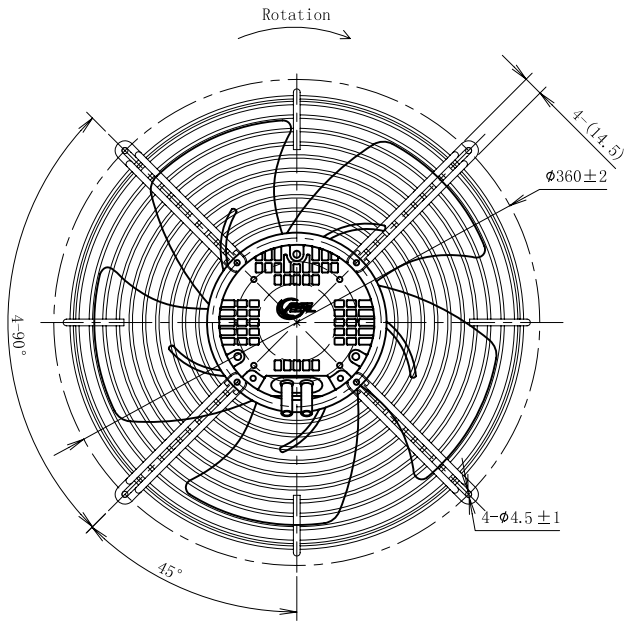
Model No. A3P300-EC092-005 (blowing) 



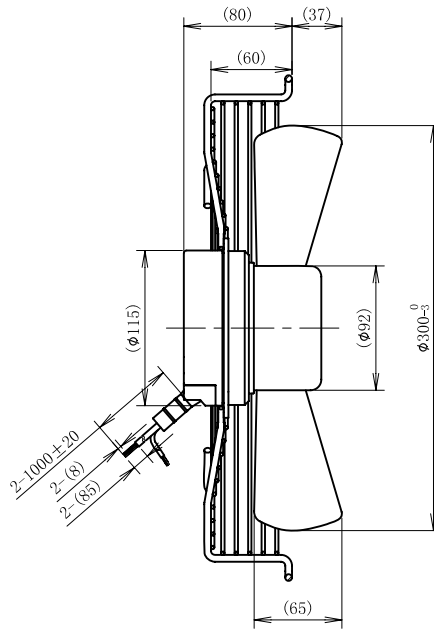
Product drawing

With wall concave net cover grill

Model No. **A3P300-EC092-100** (suction)



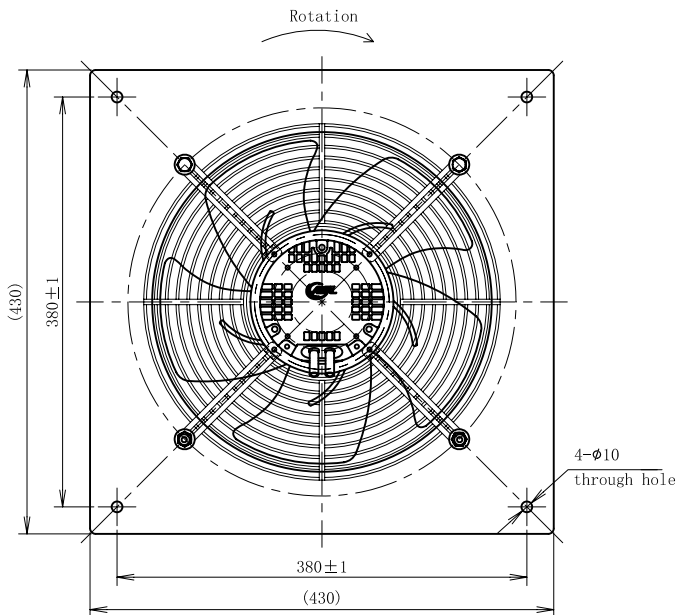
Model No. **A3P300-EC092-001** (blowing)



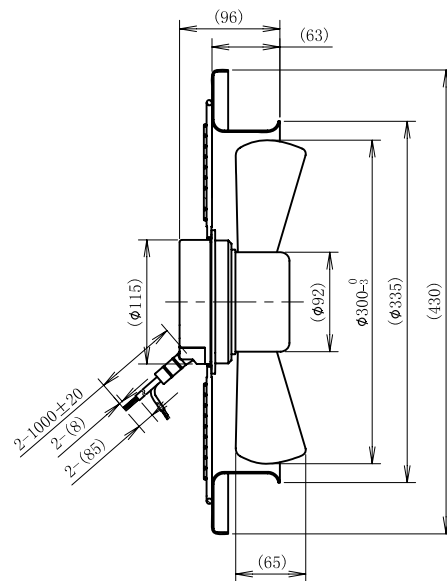
Product drawing

With wind guide panel

Model No. **A3P300-EC092-002** (suction)

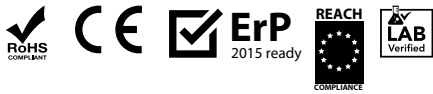


Model No. **A3P300-EC092-003** (blowing)



Model No. A3P315-EC092-.....

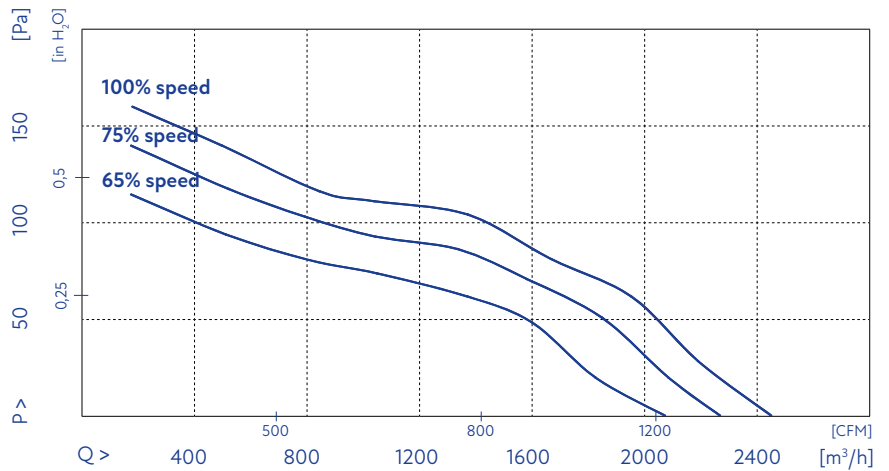
EC Axial Fan



Technical data

Supply	230 VAC
Frequency	50/60 Hz
Current draw	1.1 A
Power input	165 W
Speed	2100 min ⁻¹
Control input	0-10 VDC / PWM
Sound pressure level	66 dB
Degree of protection	IP44
Working temperature	-25 ~ +60 °C
Insulation class	B
Impeller material	PA66

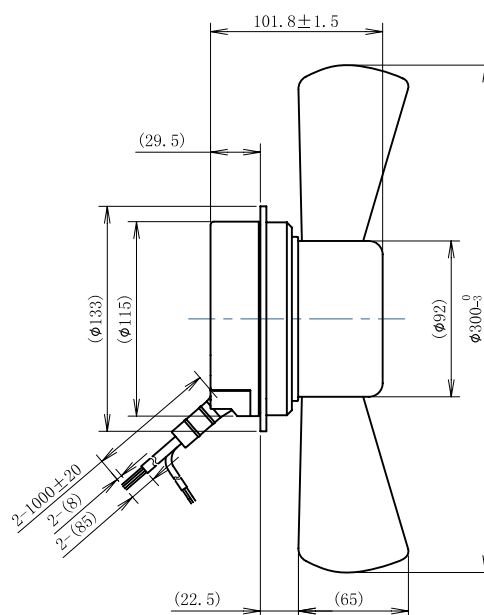
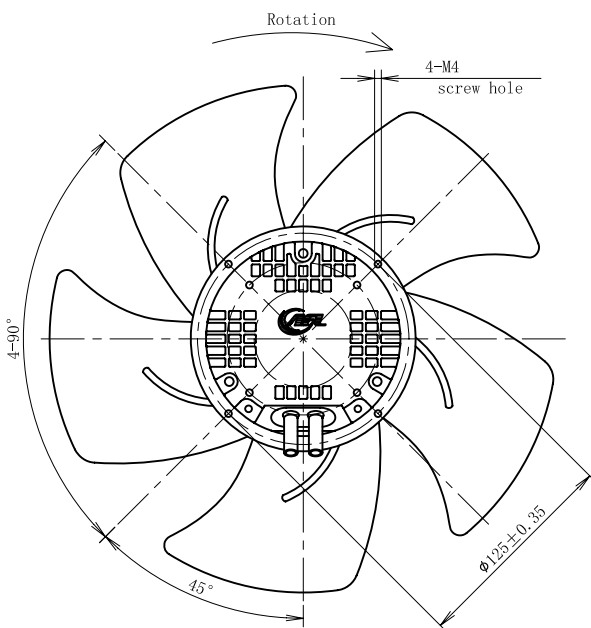
Air performance



Product drawing

Model No. A3P315-EC092-004 (suction) 

Model No. A3P315-EC092-005 (blowing) 



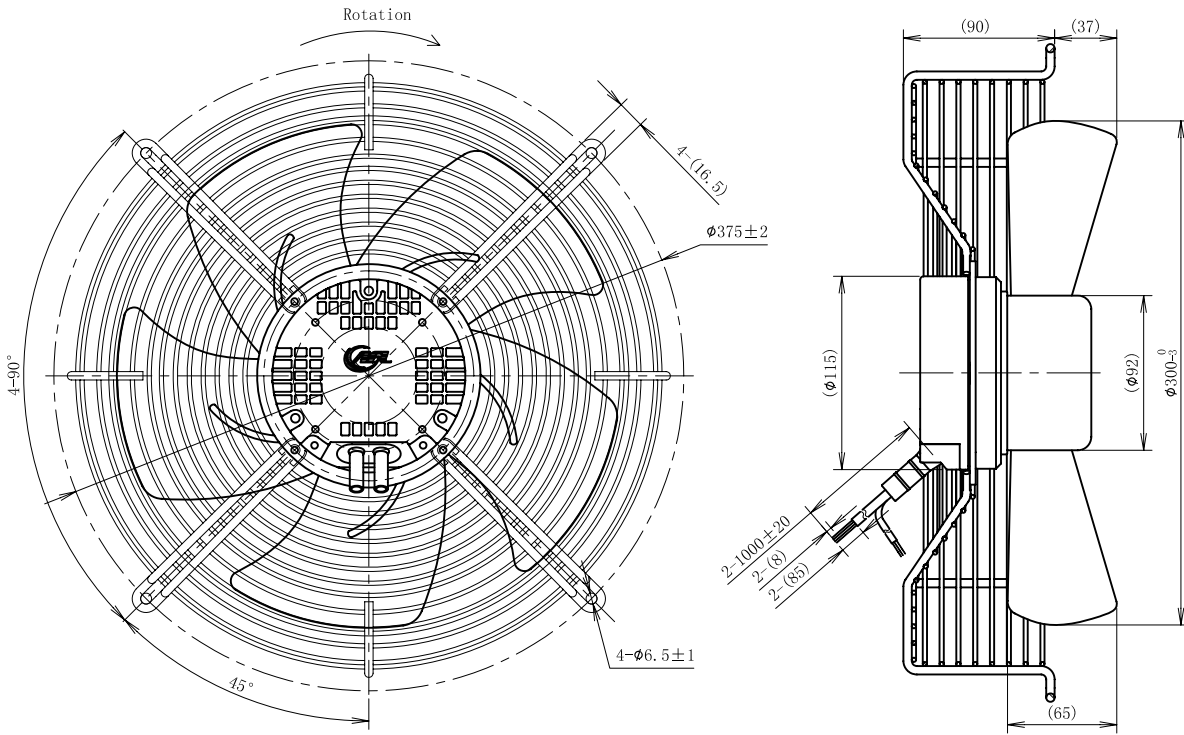
Product drawing

With wall concave net cover grill

Model No. **A3P315-EC092-100** (suction)

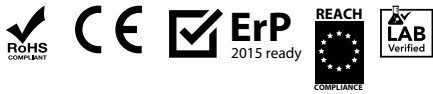


Model No. **A3P315-EC092-001** (blowing)



Model No. A3P350-EC092-.....

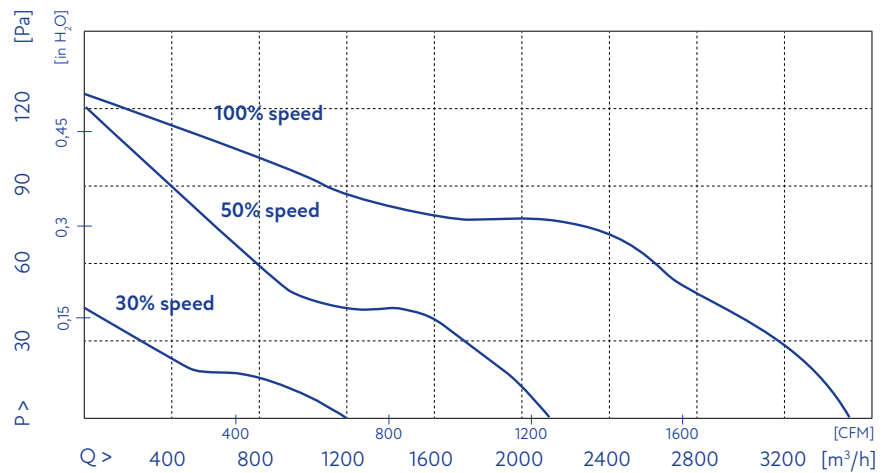
EC Axial Fan




Technical data


Supply	230 VAC
Frequency	50/60 Hz
Current draw	1.2 A
Power input	175 W
Speed	1800 min ⁻¹
Control input	0-10 VDC / PWM
Sound pressure level	65 dB
Degree of protection	IP44
Working temperature	-25 ~ +60 °C
Insulation class	B
Impeller material	PA66

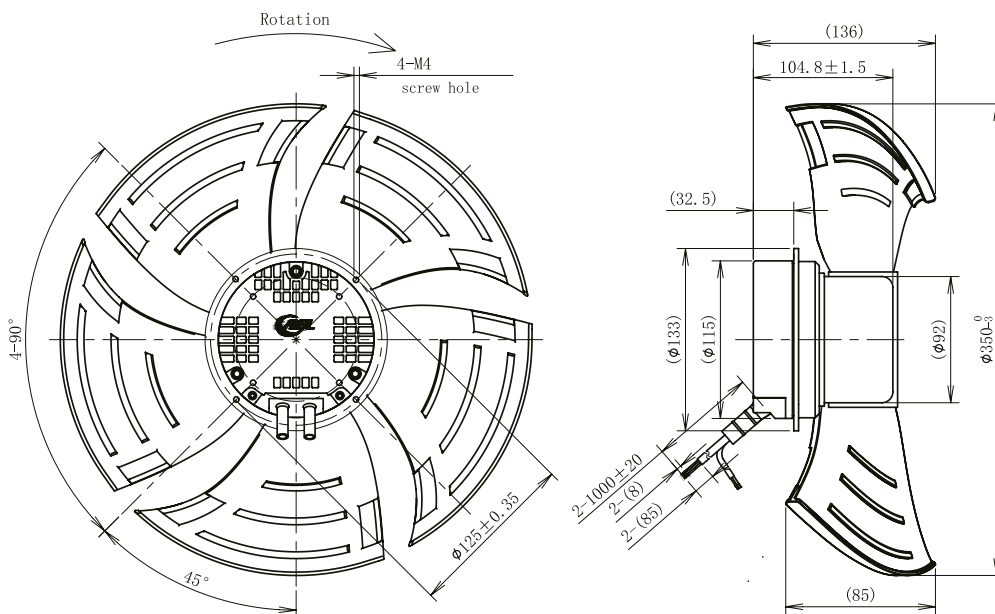
Air performance



Product drawing

Model No. A3P350-EC092-044 (suction) 

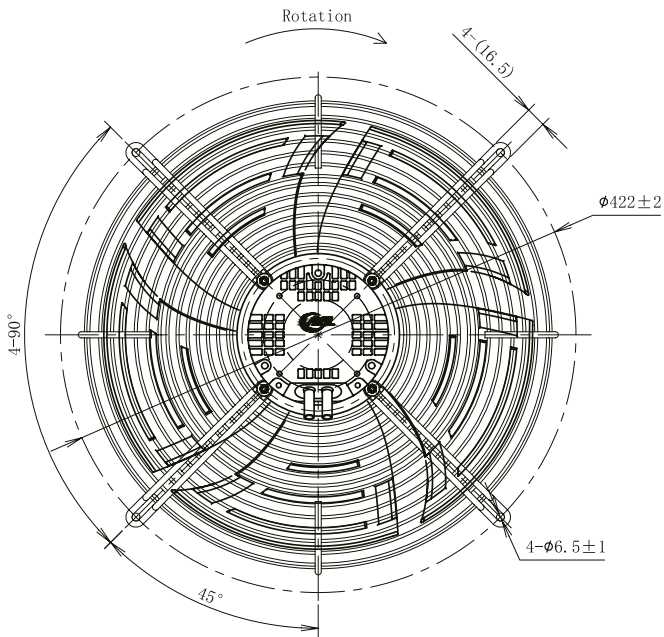
Model No. A3P350-EC092-045 (blowing) 



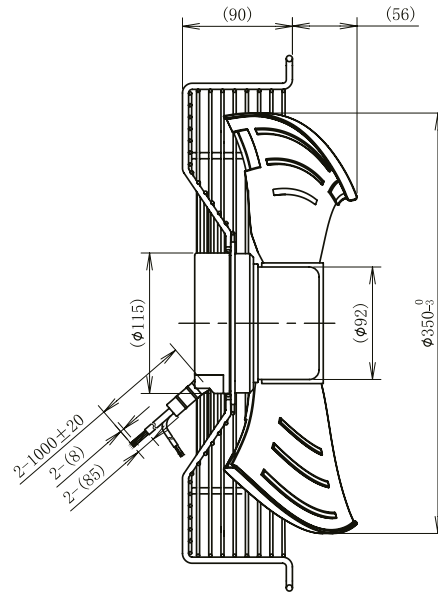
Product drawing

With wall concave net cover grill

Model No. **A3P350-EC092-040** (suction)



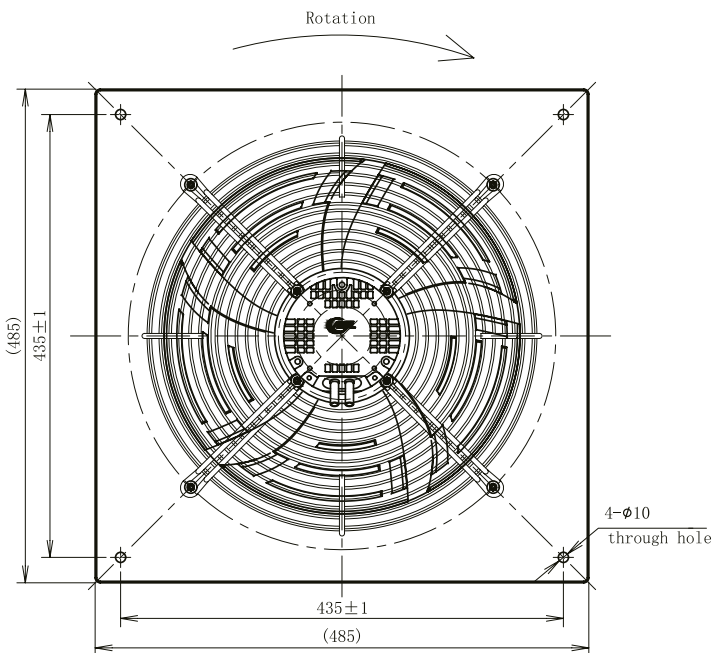
Model No. **A3P350-EC092-041** (blowing)



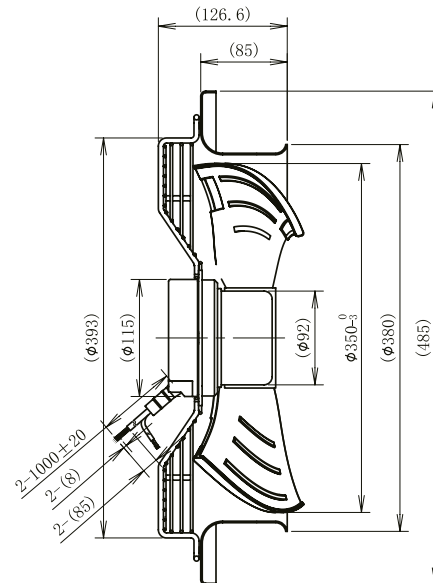
Product drawing

With wind guide panel

Model No. **A3P350-EC092-042** (suction)

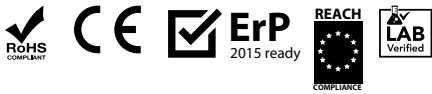


Model No. **A3P350-EC092-043** (blowing)



Model No. A3P400-EC102-.....

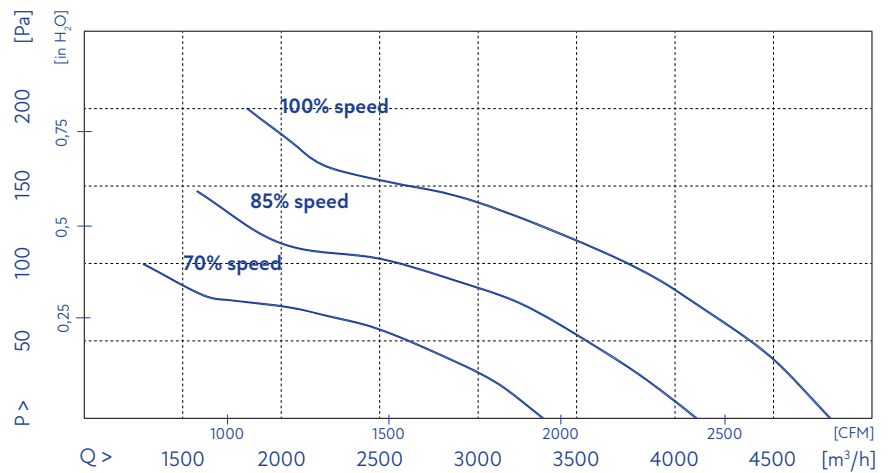
EC Axial Fan




Technical data


Supply	230 VAC
Frequency	50/60 Hz
Current draw	1.4 A
Power input	315 W
Speed	1600 min ⁻¹
Control input	0-10 VDC / PWM
Sound pressure level	69 dB
Degree of protection	IP44
Working temperature	-25 ~ +60 °C
Insulation class	B
Impeller material	sheet steel

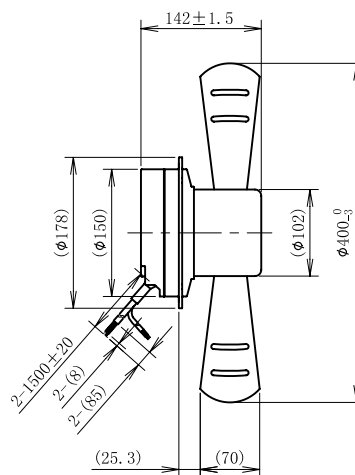
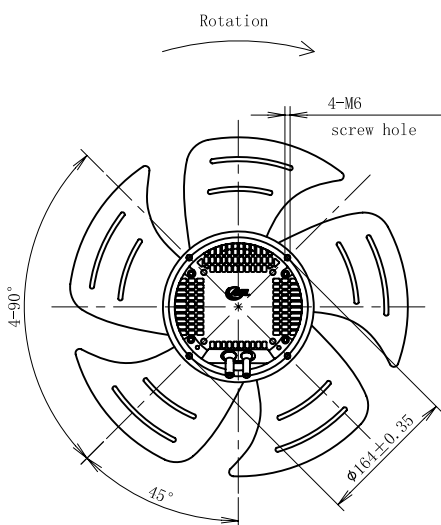
Air performance



Product drawing

Model No. A3P400-EC102-004 (suction) 

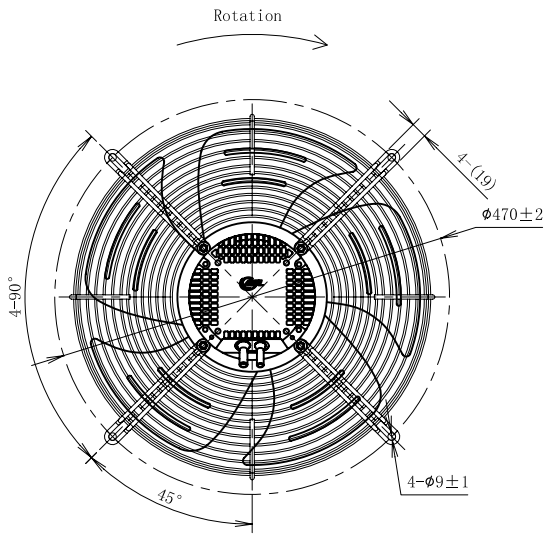
Model No. A3P400-EC102-005 (blowing) 



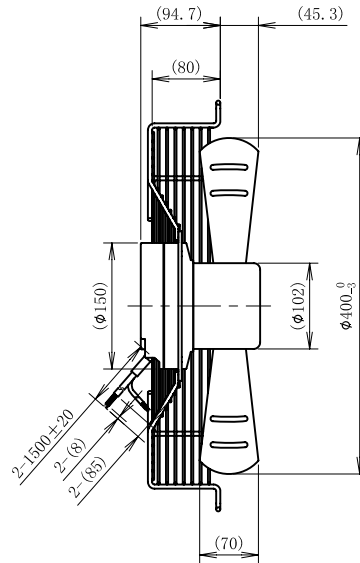
Product drawing

With wall concave net cover grill

Model No. **A3P400-EC102-100** (suction)



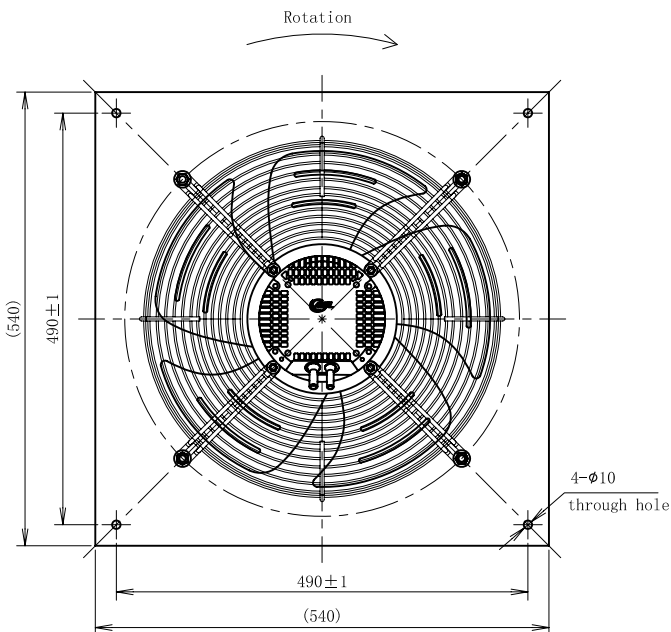
Model No. **A3P400-EC102-001** (blowing)



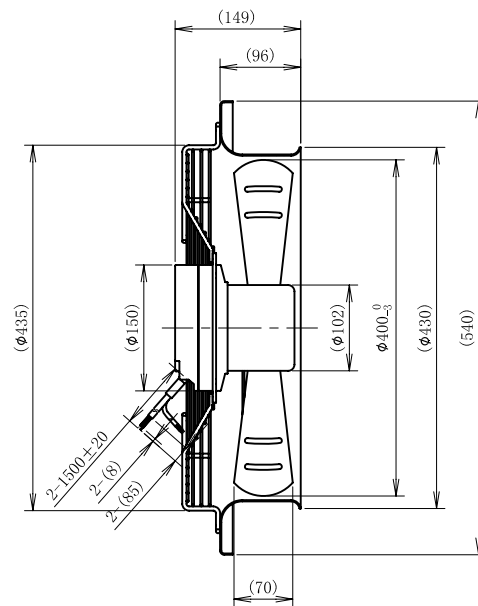
Product drawing

With wind guide panel

Model No. **A3P400-EC102-002** (suction)

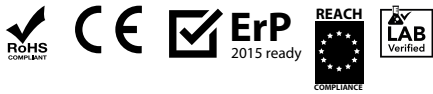


Model No. **A3P400-EC102-003** (blowing)



Model No. A3P450-EC102-.....

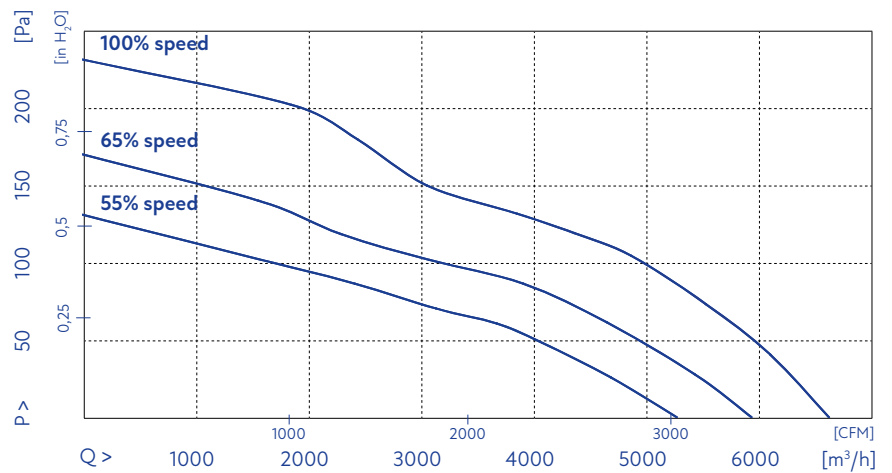
EC Axial Fan




Technical data


Supply	230 VAC
Frequency	50/60 Hz
Current draw	2.0 A
Power input	420 W
Speed	1590 min ⁻¹
Control input	0-10 VDC / PWM
Sound pressure level	68 dB
Degree of protection	IP44
Working temperature	-25 ~ +60 °C
Insulation class	B
Impeller material	sheet steel

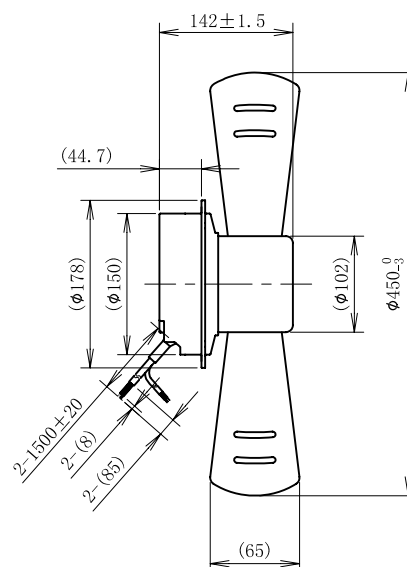
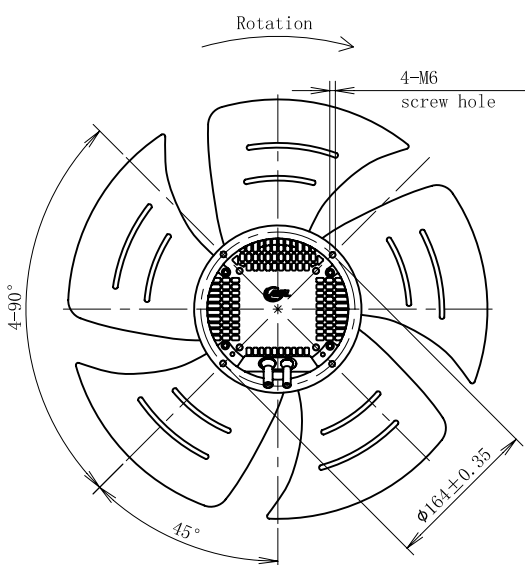
Air performance



Product drawing

Model No. A3P450-EC102-004 (suction) 

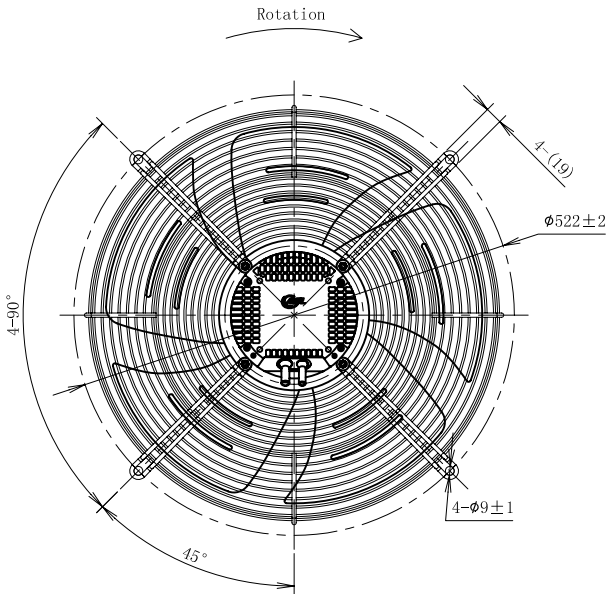
Model No. A3P450-EC102-005 (blowing) 



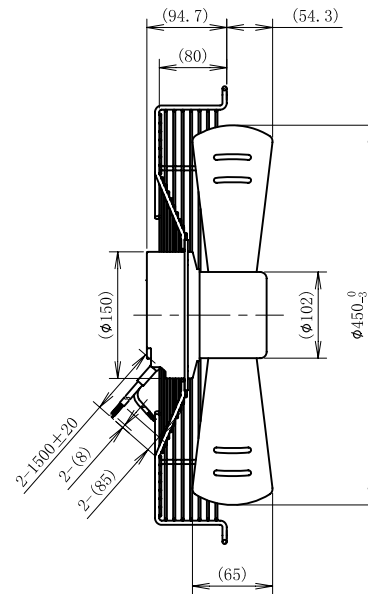
Product drawing

With wall concave net cover grill

Model No. **A3P450-EC102-100** (suction)



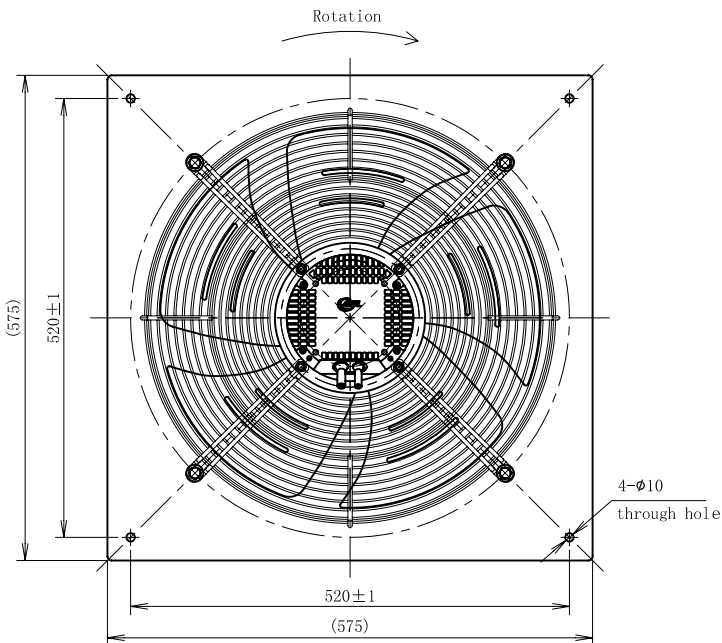
Model No. **A3P450-EC102-001** (blowing)



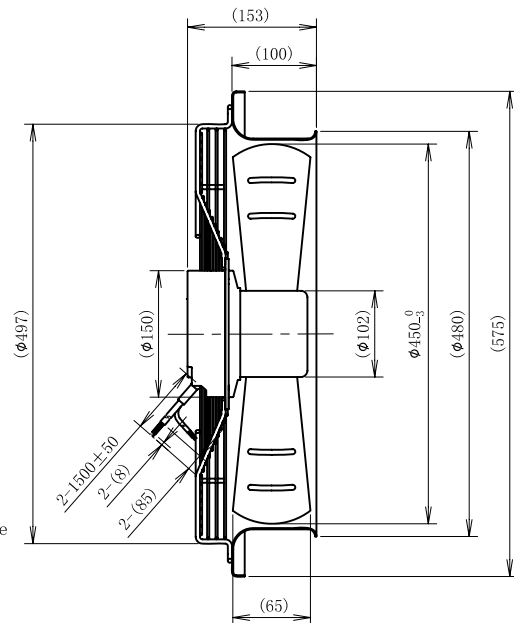
Product drawing

With wind guide panel

Model No. **A3P450-EC102-002** (suction)



Model No. **A3P450-EC102-003** (blowing)



Model No. A3P500-EC137-.....

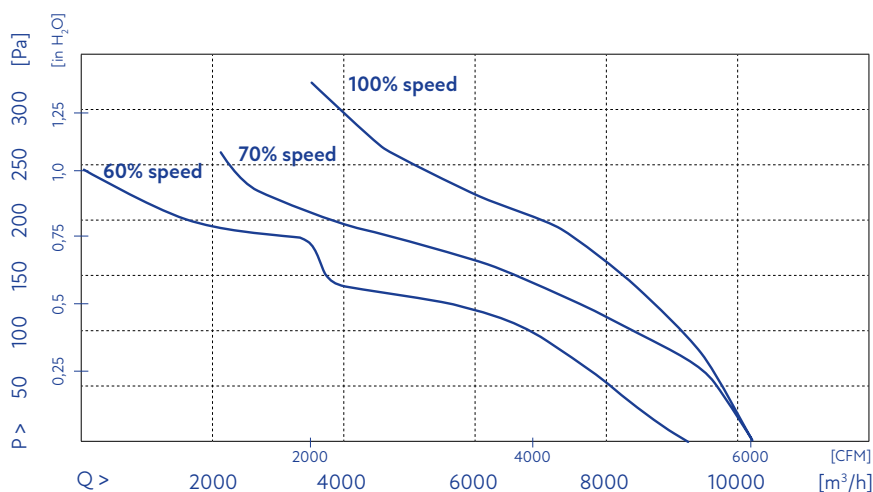
EC Axial Fan




Technical data


Supply	3x400 VAC
Frequency	50/60 Hz
Current draw	1.5 A
Power input	850 W
Speed	1690 min ⁻¹
Control input	0-10 VDC / PWM
Sound pressure level	78 dB
Degree of protection	IP44
Working temperature	-25 ~ +60 °C
Insulation class	F
Impeller material	sheet steel

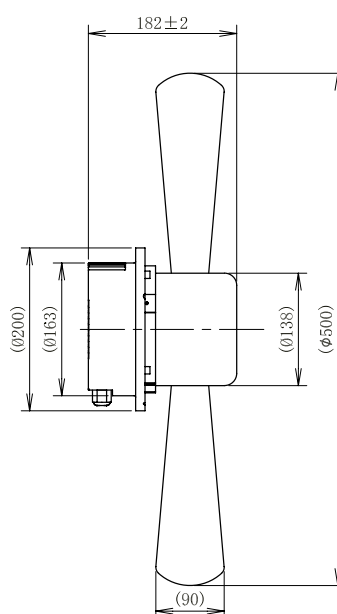
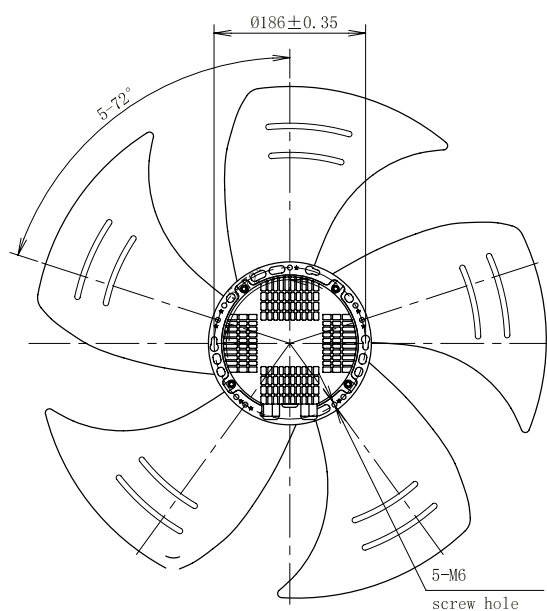
Air performance



Product drawing

Model No. A3P500-EC137-004 (suction) 

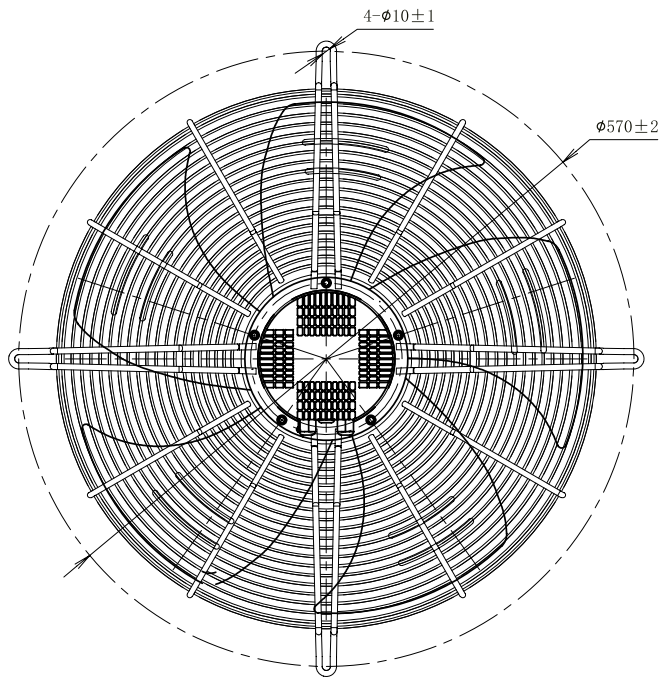
Model No. A3P500-EC137-005 (blowing) 



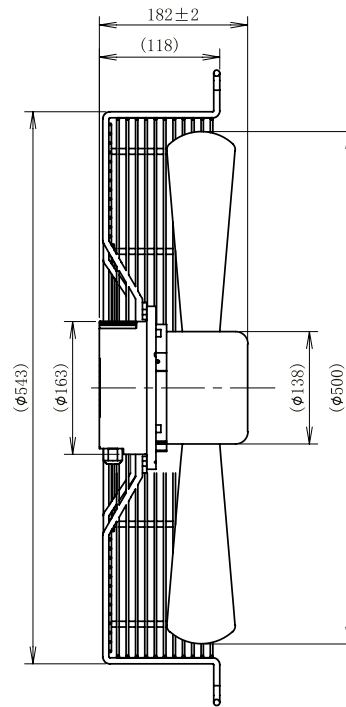
Product drawing

With wall concave net cover grill

Model No. **A3P500-EC137-100** (suction)



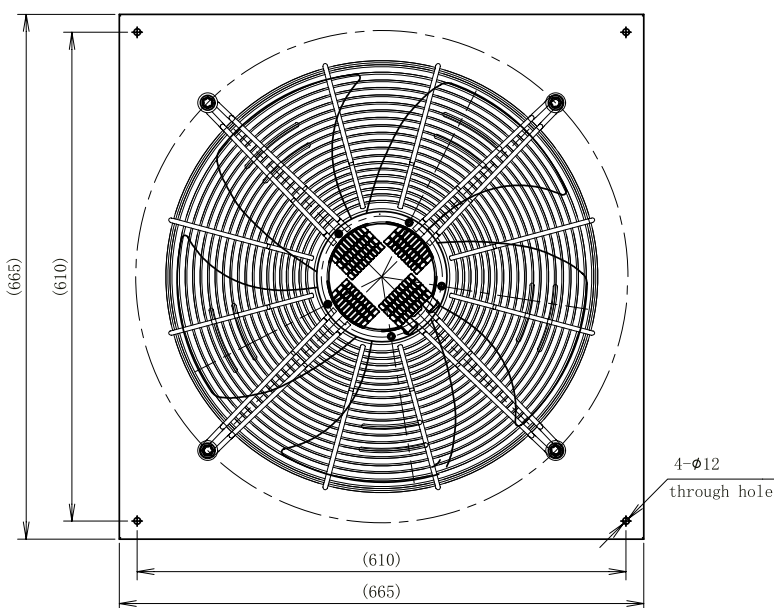
Model No. **A3P500-EC137-001** (blowing)



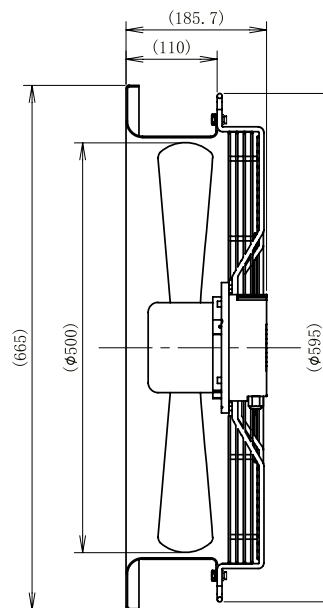
Product drawing

With wind guide panel

Model No. **A3P500-EC137-002** (suction)

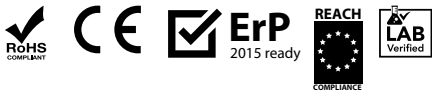


Model No. **A3P500-EC137-003** (blowing)



Model No. A3P550-EC137-.....

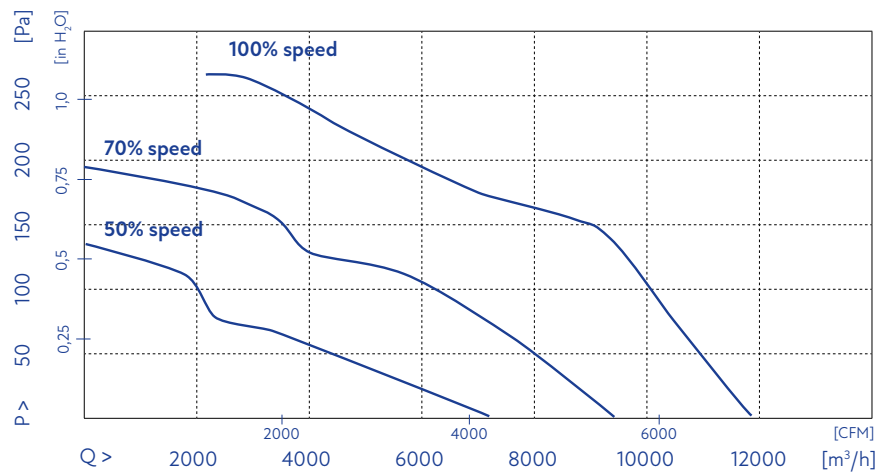
EC Axial Fan




Technical data


Supply	3x400 VAC
Frequency	50/60 Hz
Current draw	1.65 A
Power input	950 W
Speed	1690 min ⁻¹
Control input	0-10 VDC / PWM
Sound pressure level	78 dB
Degree of protection	IP44
Working temperature	-25 ~ +60 °C
Insulation class	F
Impeller material	sheet steel

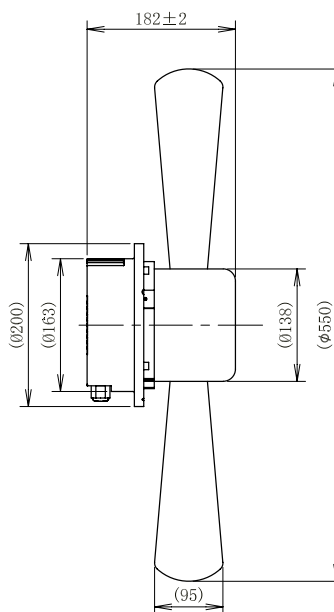
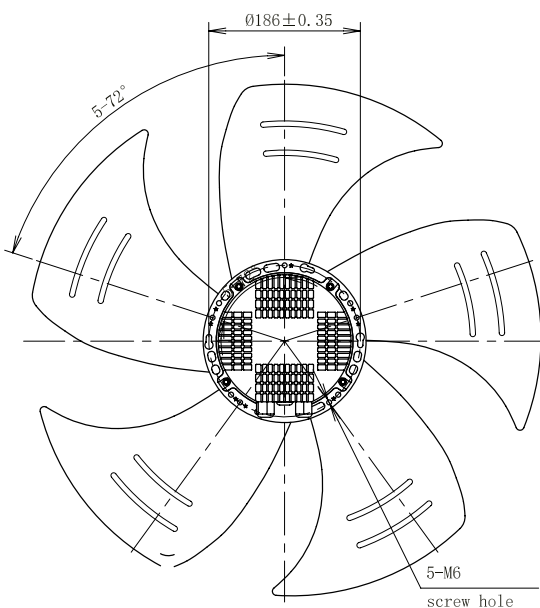
Air performance



Product drawing

Model No. A3P550-EC137-004 (suction) 

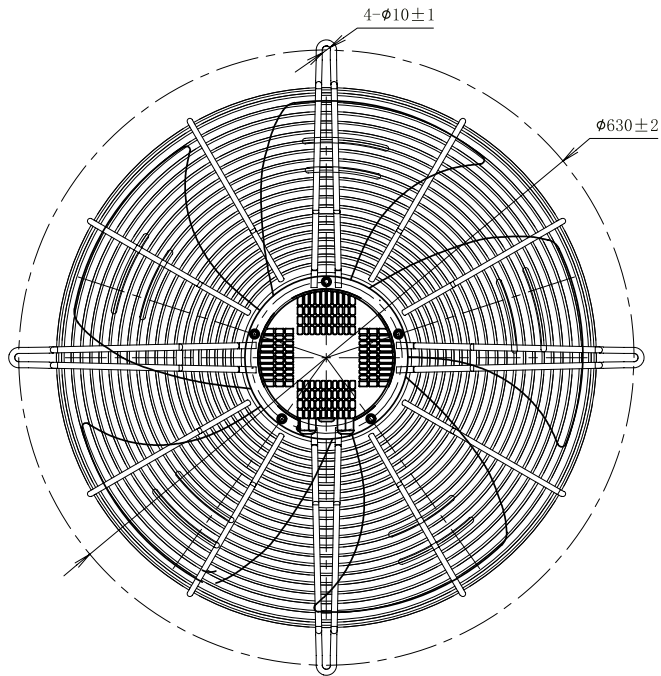
Model No. A3P550-EC137-005 (blowing) 



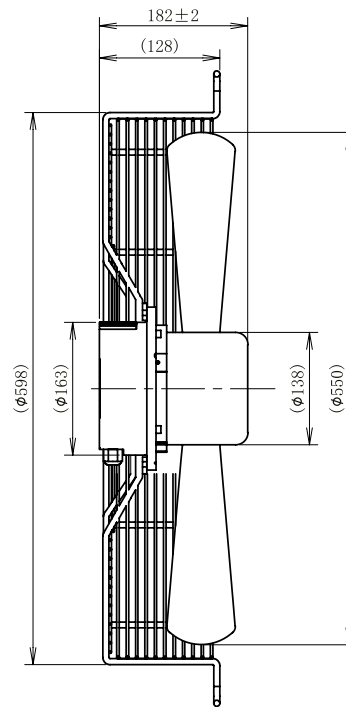
Product drawing

With wall concave net cover grill

Model No. **A3P550-EC137-100** (suction)



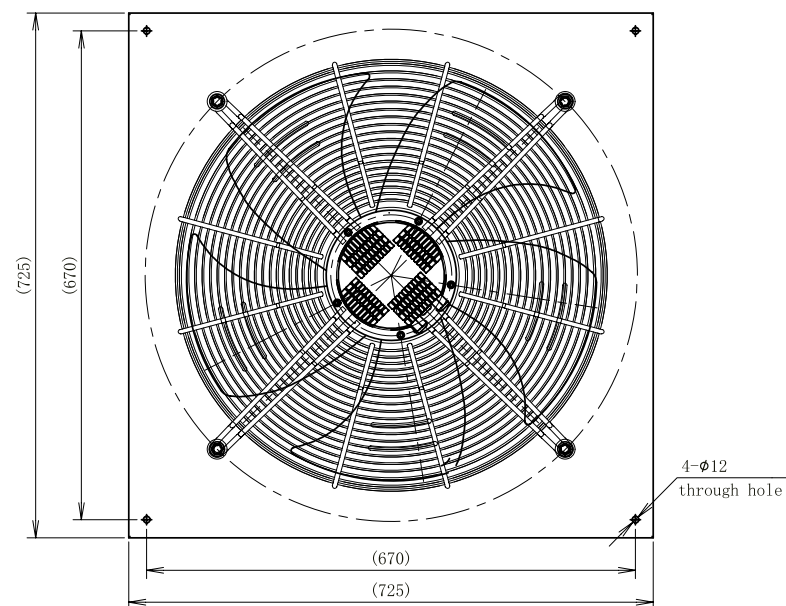
Model No. **A3P550-EC137-001** (blowing)



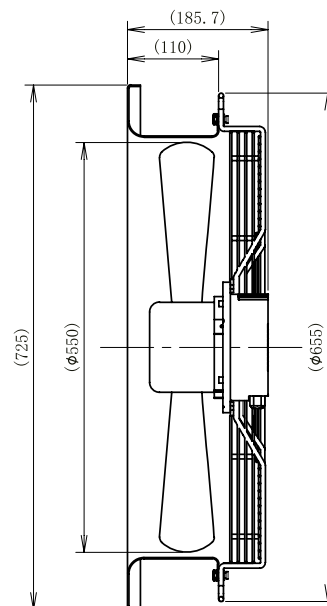
Product drawing

With wind guide panel

Model No. **A3P550-EC137-002** (suction)

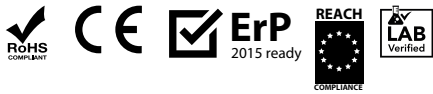


Model No. **A3P550-EC137-003** (blowing)



Model No. A3P630-EC137-.....

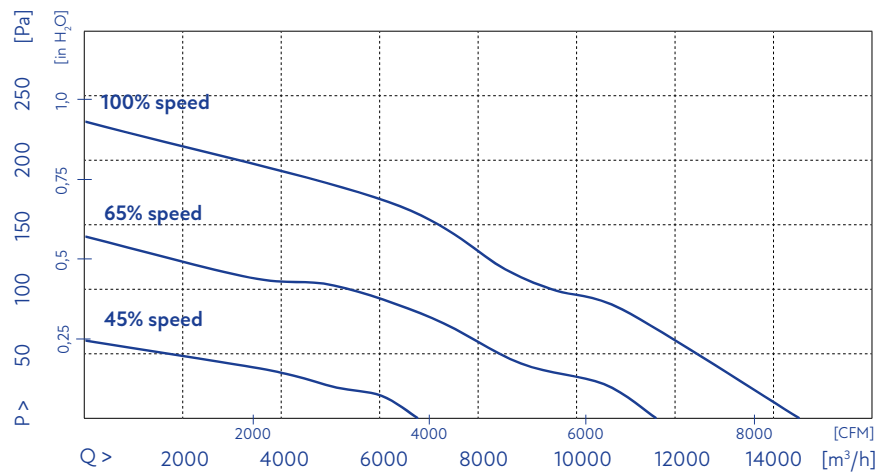
EC Axial Fan




Technical data


Supply	3x400 VAC
Frequency	50/60 Hz
Current draw	1.3 A
Power input	800 W
Speed	1150 min ⁻¹
Control input	0-10 VDC / PWM
Sound pressure level	69 dB
Degree of protection	IP44
Working temperature	-25 ~ +60 °C
Insulation class	F
Impeller material	sheet steel

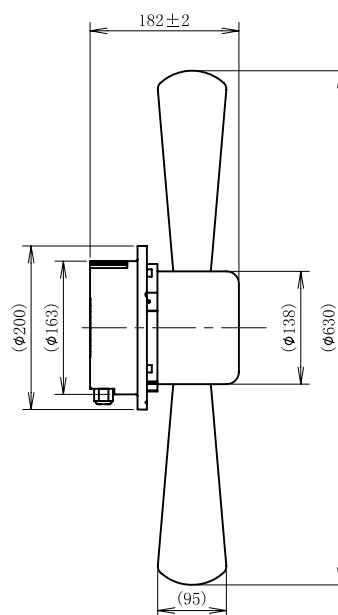
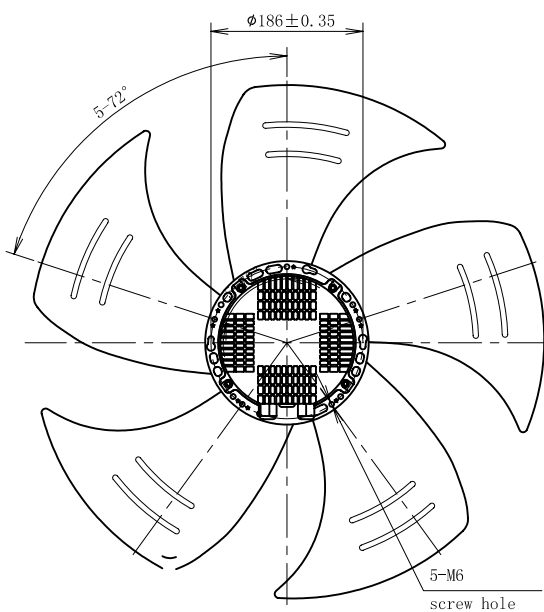
Air performance



Product drawing

Model No. A3P630-EC137-004 (suction) 

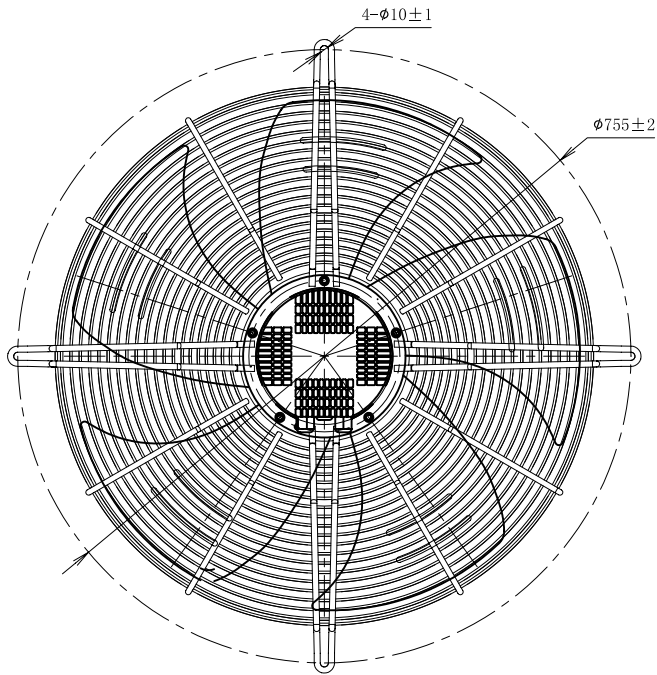
Model No. A3P630-EC137-005 (blowing) 



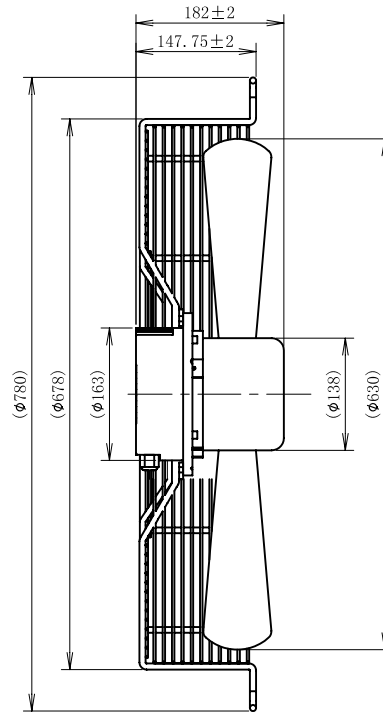
Product drawing

With wall concave net cover grill

Model No. **A3P630-EC137-100** (suction)



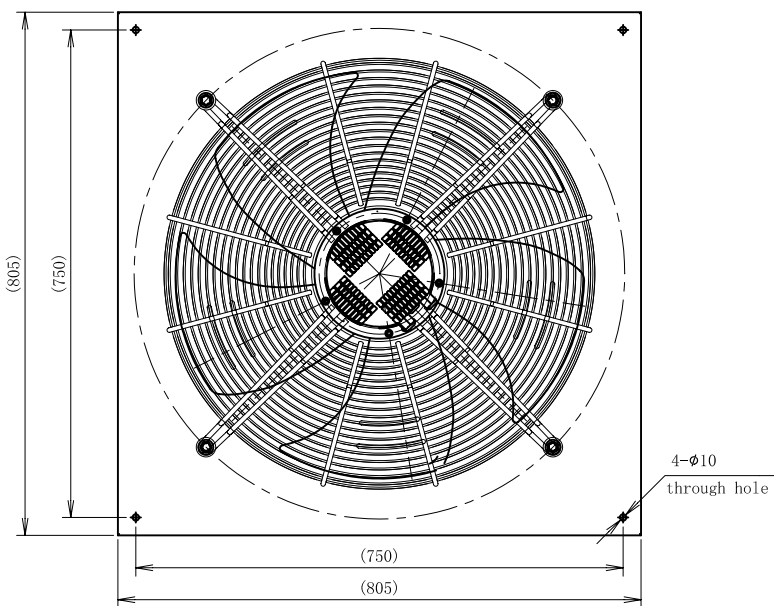
Model No. **A3P630-EC137-001** (blowing)



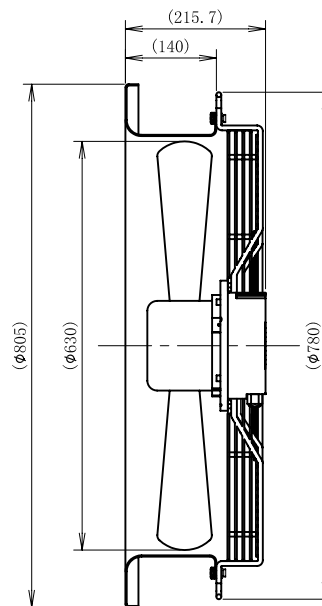
Product drawing

With wind guide panel

Model No. **A3P630-EC137-002** (suction)

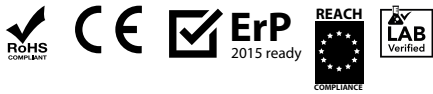


Model No. **A3P630-EC137-003** (blowing)





Model No. A3P300-EC092-.....

EC Axial fan with external temperature sensor



This special designed fan is equipped with external temperature sensor. According to measured inlet air temperature fan speed is automatically changed according to below diagram.

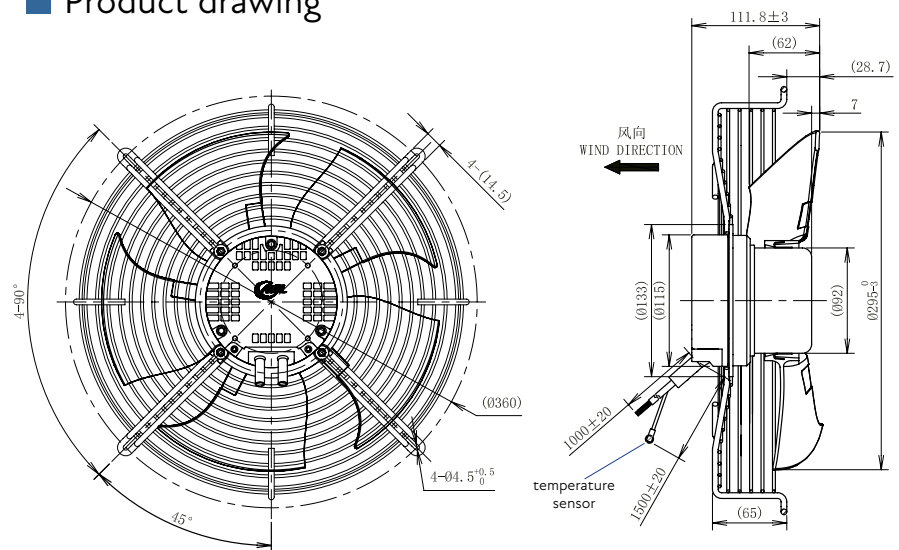
Model No. **A3P300-EC092-013** (suction) 

Model No. **A3P300-EC092-011** (blowing) 

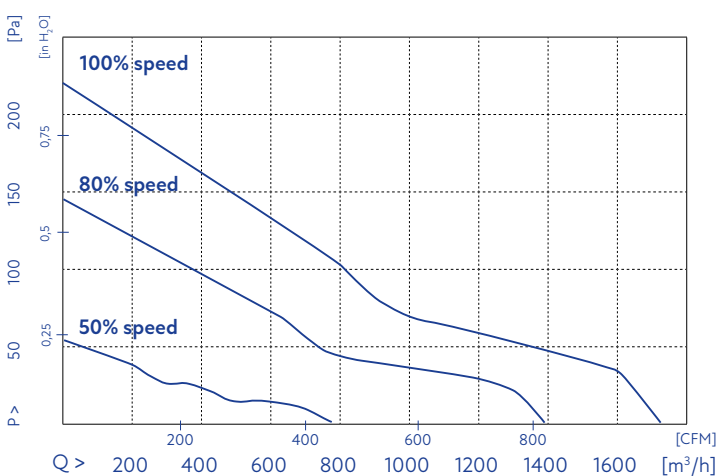
Technical data

Supply	230 VAC
Frequency	50/60 Hz
Current draw	0.7 A
Power input	90 W
Speed	1600 min ⁻¹
Control input	0-10 VDC / PWM
Sound pressure level	59 dB
Degree of protection	IP44
Working temperature	-25 ~ +60 °C
Insulation class	B
Impeller material	PA66

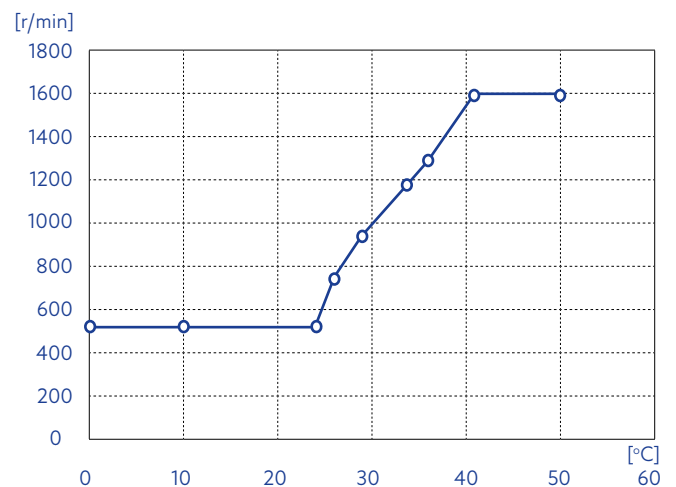
Product drawing



Air performance



Fan speed regulation





Model No. A3P350-EC092-.....

EC Axial fan with external temperature sensor



This special designed fan is equipped with external temperature sensor. According to measured inlet air temperature fan speed is automatically changed according to below diagram.

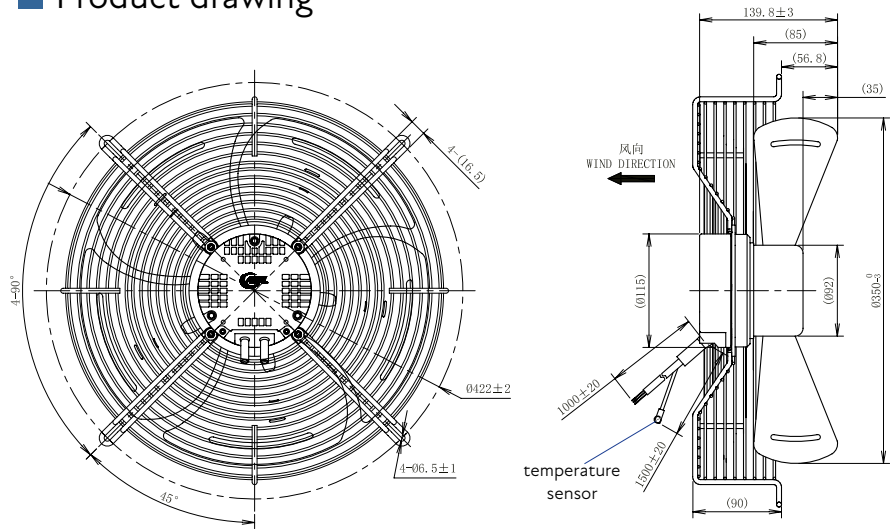
Model No. **A3P350-EC092-017** (suction) 

Model No. **A3P350-EC092-014** (blowing) 

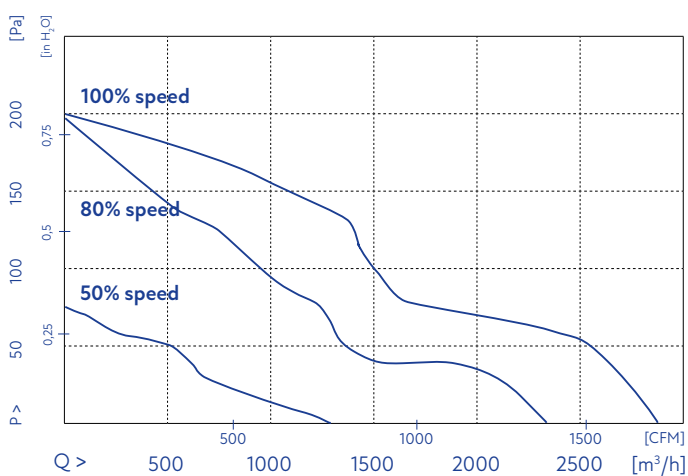
Technical data

Supply	230 VAC
Frequency	50/60 Hz
Current draw	1.0 A
Power input	150 W
Speed	1600 min ⁻¹
Control input	0-10 VDC / PWM
Sound pressure level	66 dB
Degree of protection	IP44
Working temperature	-25 ~ +60 °C
Insulation class	B
Impeller material	sheet steel

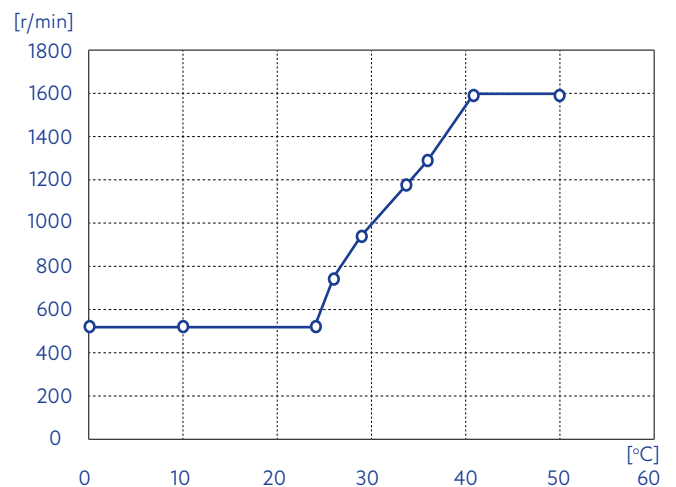
Product drawing



Air performance

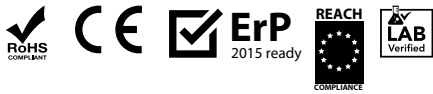


Fan speed regulation



Model No. A3P400-EC102-.....

EC Axial fan with external temperature sensor



This special designed fan is equipped with external temperature sensor. According to measured inlet air temperature fan speed is automatically changed according to below diagram.

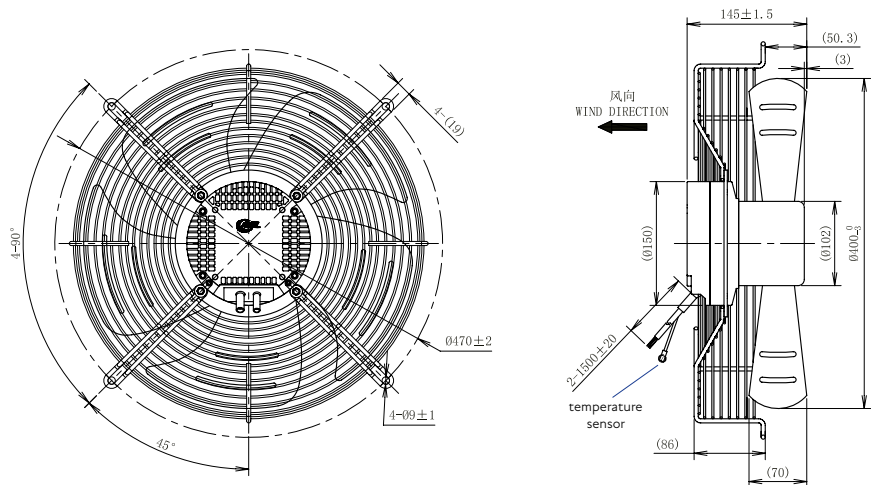
Model No. **A3P400-EC102-011** (suction)

Model No. **A3P400-EC102-009** (blowing)

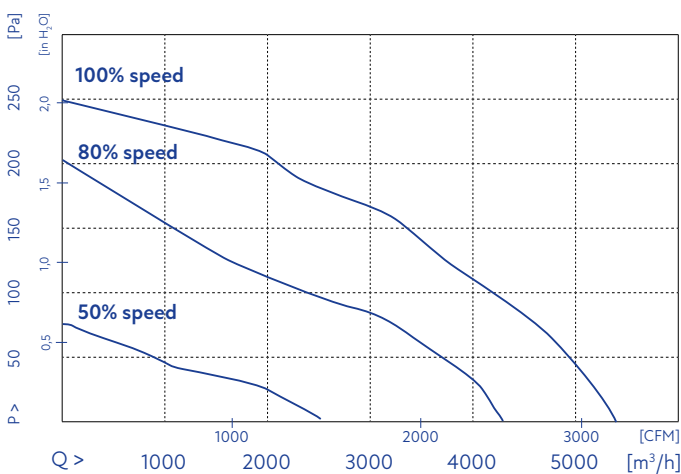
Technical data

Supply	230 VAC
Frequency	50/60 Hz
Current draw	1.6 A
Power input	360 W
Speed	1600 min ⁻¹
Control input	0-10 VDC / PWM
Sound pressure level	67 dB
Degree of protection	IP44
Working temperature	-25 ~ +60 °C
Insulation class	B
Impeller material	sheet steel

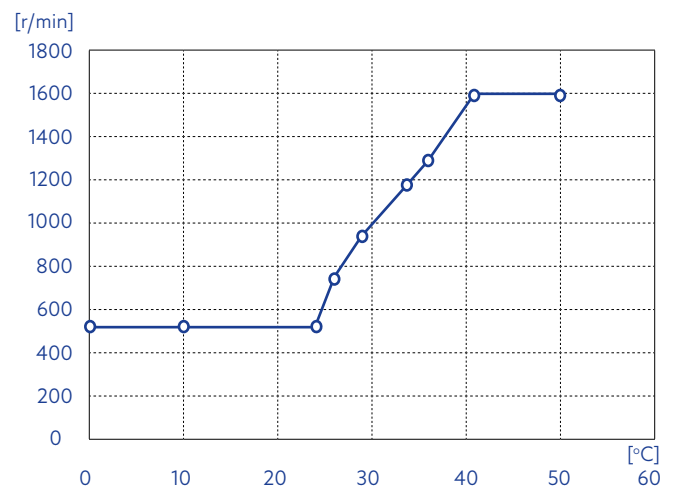
Product drawing



Air performance



Fan speed regulation





Model No. A3P450-EC102-.....

EC Axial fan with external temperature sensor



This special designed fan is equipped with external temperature sensor. According to measured inlet air temperature fan speed is automatically changed according to below diagram.

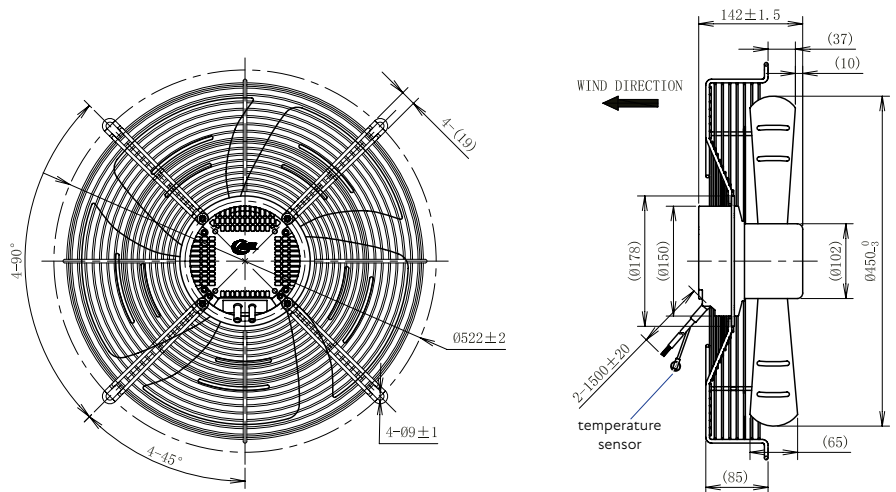
Model No. **A3P450-EC102-018** (suction) 

Model No. **A3P450-EC102-017** (blowing) 

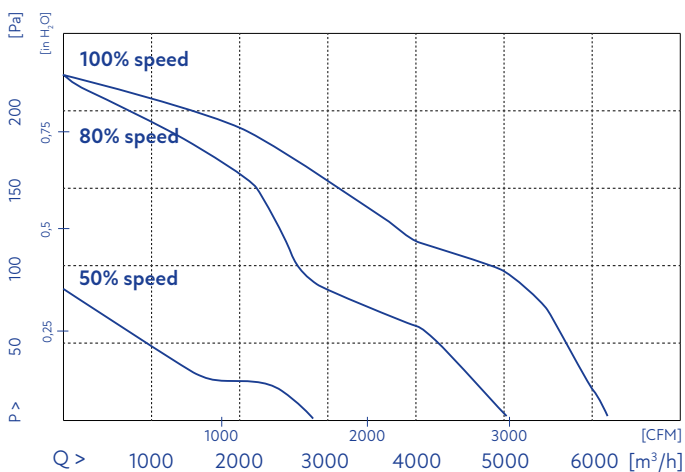
Technical data

Supply	230 VAC
Frequency	50/60 Hz
Current draw	2.15 A
Power input	445 W
Speed	1600 min ⁻¹
Control input	0-10 VDC / PWM
Sound pressure level	68 dB
Degree of protection	IP44
Working temperature	-25 ~ +60 °C
Insulation class	B
Impeller material	sheet steel

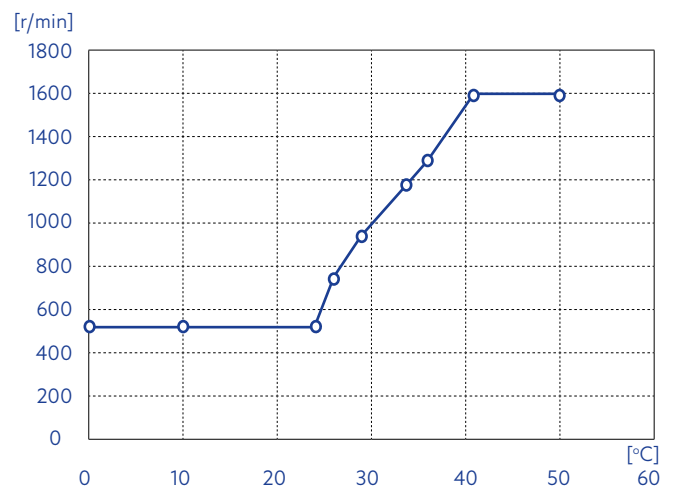
Product drawing



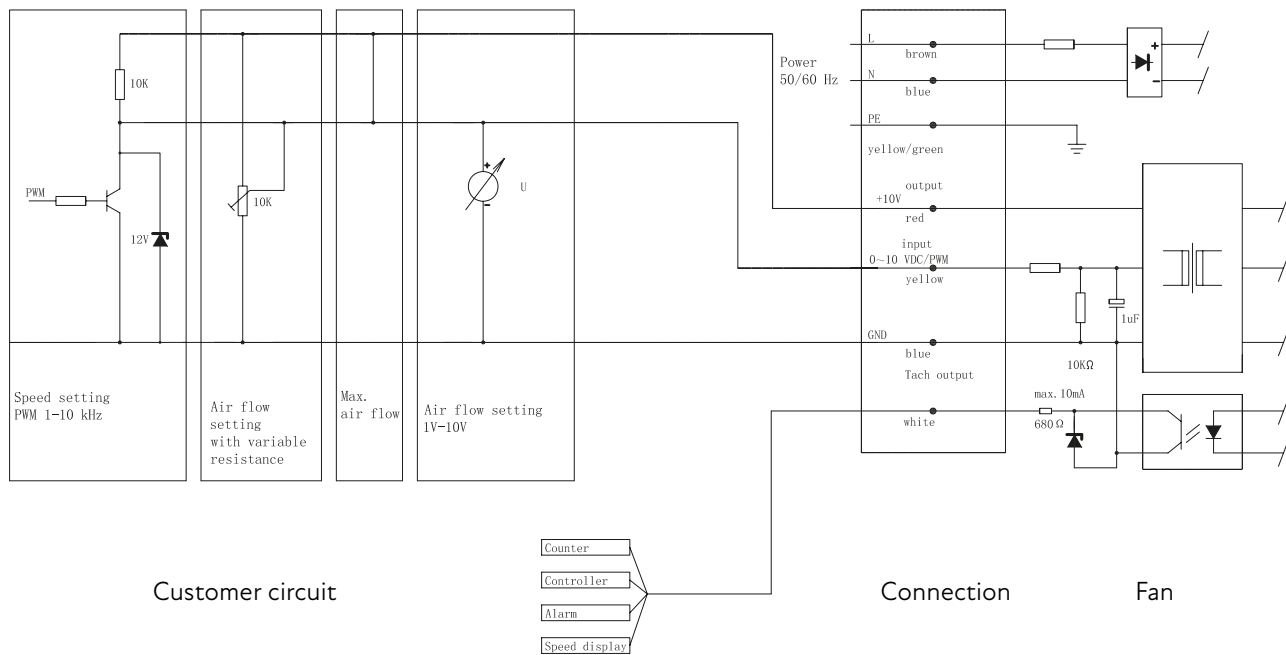
Air performance



Fan speed regulation

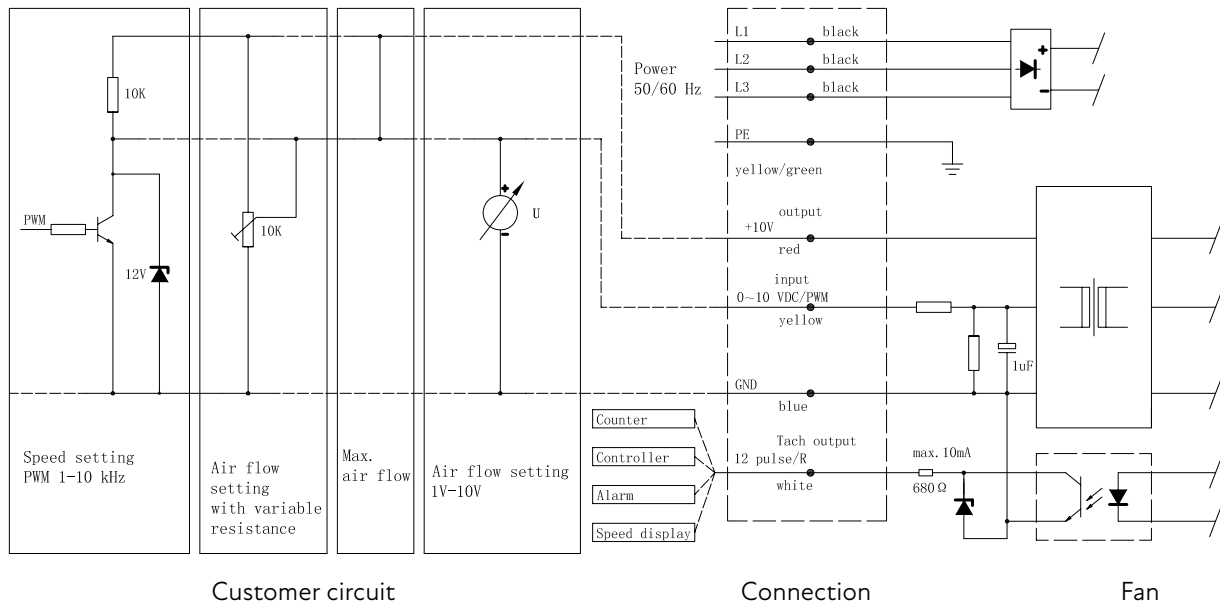


Electrical connections for EC Single Phase Fans



Line	Connection	Color	Function
1	L	brown	Single-phase 50/60 Hz
	N	blue	
	PE	yellow / green	
2	+10V	red	+10V output
	0-10V/PWM	yellow	Speed control input
	GND	blue	GND
	Tach	white	Tach output EC072, EC092: 1 pulse/R EC102: 12 pulse/R

Electrical connections for EC Three Phase Fans



Line	Connection	Color	Function
1	L1	black	Three-phase 3~AC400V 50/60 Hz
	L2	black	
	L3	black	
	PE	yellow / green	Protective earth
2	+10V	red	+10V output
	0-10V/PWM	yellow	Speed control input
	GND	blue	GND
	Tach	white	Tach output 12 pulse/R

